

Asus Asteio Media Center PC User Manual

Model D22/ D20

English



Preface

Congratulations on your purchase of the Asus Asteio Media Center PC. Read this manual carefully and keep it in a safe place for future reference.

About this manual

Every effort has been made to ensure that the contents on this manual are correct and up to date. However, no guarantee is made regarding the accuracy of its contents, and the manufacturer reserves the right to make changes without prior notice.

Copyright information

No part of this manual, including the products and software described in it, may be reproduced, transmitted, transcribed, stored in a retrieval system, or translated into any language in any form or by any means, except documentation kept by the purchaser for backup purposes, without the express written permission of the manufacturer.

Products and corporate names appearing in this manual may or may not be registered trademarks or copyrights of their respective companies, and are used only for identification or explanation and to the owner's benefit, without intent to infringe. All trademarks are the property of their respective owners.

Copyright © 2006. All rights reserved.

Note to CATV System Installer

This reminder is provided to call the CATV systems installer's attention to section 820-93 of the National Electric Code which provide guidelines for proper grounding and in particular, specify that the Coaxial cable shield shall be connected grounding system of the building, as close to the point of cable entry as practical.

Safety information

Your Asus Asteio Media Center PC is designed and tested to meet the latest standards of safety for information technology equipment. However, to ensure safe use of this product, it is important that the safety instructions stated in this documentation are observed.

Setting up your system

- Read and follow all instructions in the documentation before you operation your Asteio Media Center PC.
- Do not use this product near water or a heated source such as a radiator.
- Set up the system on a stable work surface.
- Openings in the computer case are provided for ventilation. Do not block or cover these openings. Make sure you provide adequate space, at least 15 cm (6 inches), around the system for ventilation when you set up your work area. Never insert objects of any kind into the computer ventilation openings.
- If you use an extension cord with your Media Center PC, make sure that the total ampere rating on the products plugged into the extension cord does not exceed its ampere rating.
- Since your Media Center PC is fitted with a TV tuner, cable or satellite receiver, make sure that the antenna or cable system is electrically grounded to provide some protection against voltage surges and build-up of static charges.

Care during use

- Do not walk on the power cord or allow anything to rest on it.
- Do not spill water or any other liquids on your Media Center PC.
- When the Media Center PC is turned off, a small amount of electrical current still flows through the computer. Always unplug all power cables and modem cables from the power outlets before cleaning the system.
- Unplug the system from the power outlet and refer servicing to qualified personnel if:
 - The power cord or plug is damaged.
 - Liquid has been spilled into the system.
 - The system does not operate properly when the operating instructions are followed.
 - The system was dropped or the cabinet is damaged.
 - The system performance changes.

Table of Contents

Preface	i
About this manual	i
Copyright information	i
Safety information	ii
Setting up your system	ii
Care during use.....	ii
Overview	1
Features	1
Setting up your Media Center PC	2
Planning your Media Center PC setup.....	2
Checking out your Media center PC.....	3
Front View	3
Rear View	4
Making connections	8
Connecting the TV signal source.....	8
Connecting the TV signal source to an existing setup	10
Using the TV as a Monitor.....	12
Cables for connecting to a TV.....	12
Connecting to a TV	12
Connecting Infrared Receiver to external device	16
Installing the wireless LAN antenna	16
Installing the digital TV/ FM antenna	17
Connecting to a digital video camera	17
Connecting to other devices	18
Configuring Speaker and Sound Options	19
Speaker configurations	20
Connecting audio speakers.....	21
Connecting your Media Center PC to a home audio system.....	22
Configuring audio output settings	23
Configuring audio output with SoundMax Audio Wizard	23
Configuring audio output with Windows XP Media Center	24
Using the PC hardware.....	25
Using the wireless keyboard.....	25
Using the special keyboard buttons.....	25

Inserting keyboard batteries.....	27
Using the remote control	28
Inserting remote control batteries.....	30
Using the memory card reader	31
Memory card insertion guide	31
Starting the Windows XP Media Center	33
Using My TV	33
Watching a TV program	33
Recording TV programs.....	33
Playing TV recordings	33
Using My Music	34
Adding music CDs to the Media Library	34
Playing Music	34
Using My Pictures.....	34
Viewing pictures.....	34
Using My Videos.....	35
Viewing videos	35
Specifications	35

Overview

The Asus Asteio Media Center PC features powerful computing and rich entertainment capabilities. You can run the Windows XP Media Center while using other programs or just enjoy the Windows XP Media center in full-screen mode without using other programs. Use the Media Center remote the same way you use remote controls for other home entertainment systems. You can use the remote and Media Center to watch and record TV programs, play videos and music, and view pictures.

Use the wireless keyboard and mouse to run the Windows XP Media Center and other programs.

Features

- AV Entertainment
 - Watching and recording live TV programs
 - Playing DVDs and home videos
 - Listening to music files
 - Viewing and editing pictures
- Connectivity
 - Connecting using wireless devices
 - Video conferencing and conference call feature (A webcam and Skype software are required for this feature.)
 - Data streaming to share different channels
- Supports long range remote control for wireless keyboard (30 feet)
- Features 13-in-1 card reader (MD, CF type I & II, MS, MS-Pro, MS-Duo, MS- Pro Duo, SD, Mini SD, MMC, MMC4.x, RS MMC, RSMMC4.x) for data transfer

Setting up your Media Center PC

Planning your Media Center PC setup

Before you start setting up your Media Center PC, take a few minutes to make sure that all of these connections are available in the location you have selected.

- **Internet connection**

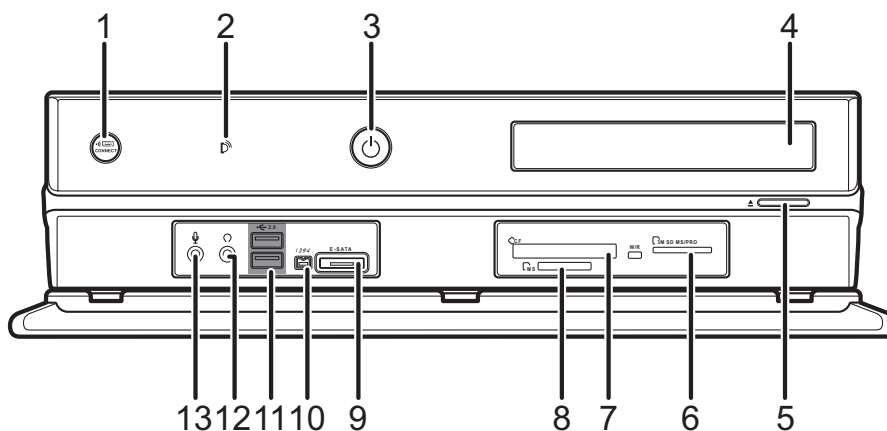
Your computer needs an Internet connection to update the EPG (Electronic Program Guide) and to access the Internet. Make sure that you have access to a dial-up or broadband Internet connection before starting your Windows XP Media Center software setup. Contact your Internet service provider for more information about setting up your Internet connection.

- **Video source**

Make sure that you have access to a video source before starting your Media Center PC setup. Your Media Center PC receives video input from a coaxial or S-video cable. The video source usually come from an antenna, a direct cable TV connection, a cable box, or a satellite receiver. Cable boxes and satellite receivers are also known as set-top boxes.

Checking out your Media center PC

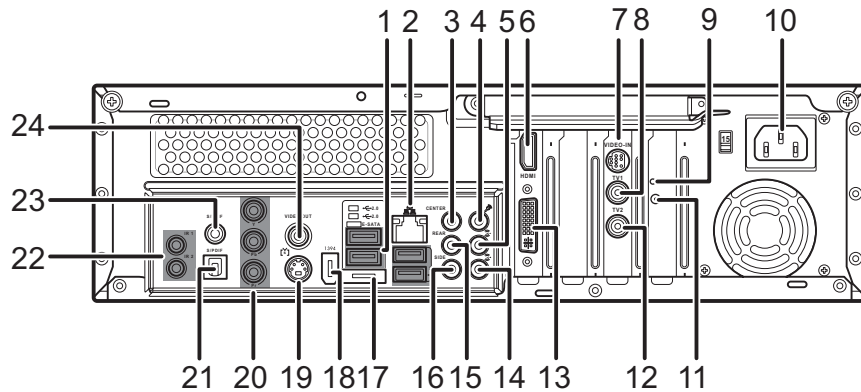
Front View



Item	Component	Description
1	ID Link receiver	Use for wireless keyboard ID Link setting.
2	Infrared receiver	Receives Infrared (IR) signals from the remote control.
3	Power button	Press to turn your PC on or off.
4	Recordable CD-ROM/DVD drive	Use this drive to listen to audio CDs, install games and programs, watch DVDs, and store large files onto recordable CDs and DVDs.
5	CD/DVD drive eject button	Press to open the CD/DVD tray.
6	SD/MMC Pro card reader	Transfer files from a digital device to your Media Center PC through the removable memory card drive.
7	CompactFlash / MicroDrive card reader	Transfer files from a digital device to your Media Center PC through the removable memory card drive.
8	MS card reader	Transfer files from a digital device to your Media Center PC through the removable memory card drive.
9	E-SATA port	Plug an external drive into this port.
10	IEEE 1394 port	Plug an IEEE 1394 device, such as a digital camrecorder into this 6-pin IEEE 1394 port.
11	USB port * 2	Plug USB devices (such as a USB printer, camera, scanner, or keyboard) into these ports.
12	Headphone jack	Plug amplified speakers or headphones into this jack.
13	Microphone jack	Plug an external microphone into this jack to record or transmit voice files.

Rear View

Asteio D22



Item	Component	Description
1.	USB ports x 4	Plug USB devices (such as a USB printer, camera, scanner, or keyboard) into these ports.
2.	Ethernet jack	Plug 10/100/1000 Ethernet network cable into this jack.
3.	Center Analog Audio Out jack (Line Out)	Plug powered, center/subwoofer speakers or an external audio amplifier into this jack.
4.	Microphone jack	Plug an external microphone into this jack to record or transmit voice files.
5.	Audio Out jack	Line Out for front speakers.
6.	HDMI	Plug an HDMI (High Definition Multimedia Interface) device into this port.
7.	Video In	Plug a coaxial cable from a video source into this jack.
8.	TV 1	Plug a signal cable into this port. (User definable)
9.	LED indicator	Indicates that the wireless LAN card is running.
10.	Power In jack	Plug the power cord into this port.
11.	WIFI Antenna connector	Plug an wireless LAN antenna into this port.
12.	TV 2	Plug a signal cable into this port. (User definable)
13.	DVI port	Plug a digital video output connector for TV/Monitor.
14.	Audio In jack	Plug to an analog audio device such as a CD player into this jack for input into PC.
15.	Rear speaker jack	Plug rear speakers in a multichannel audio configuration.
16.	Side speaker connector	Plug side speakers in an eight-speaker system.
17.	E-SATA port	Plug an external drive to your Media Center PC.
18.	IEEE 1394 port	Plug an IEEE 1394 device, such as a digital camrecorder into this 6-pin IEEE 1394 port.

Item	Component	Description
19.	S-video Out port	Plug in an S-video cable to this port to connect to a TV set.
20.	Component video ports	Plug in a component video cable to connect to a TV set.
21.	S/PDIF port (optical)	Plug an optical (Toslink) digital audio cable into this jack for digital audio transfer.
22.	IR ports x 2	Plug the IR control cables in this port to send input from the remote control to a set-top box to change channels.
23.	S/PDIF port (RCA)	Plug an RCA cable into this jack for digital audio transfer.
24.	Video Out port	Plug an RCA cable into this jack to connect to a TV set.

Note:

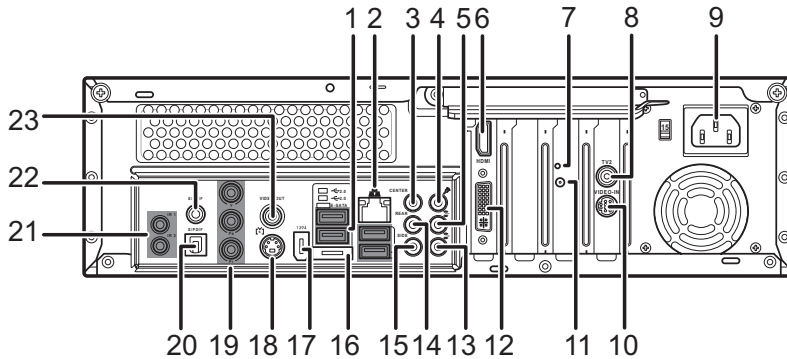
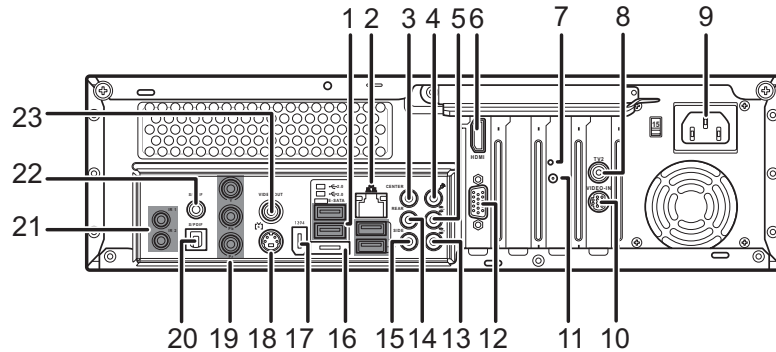
Use the TVConfig software to select the input signal for TV1 and TV2.

Configure the TV settings using the Asus TVConfig feature on your Media Center PC. Open the Asus TVConfig program by clicking the shortcut icon on the desktop or from Programs in the Start menu. Select the device from the drop-down menu and check settings for Analog TV, FM, and DVBT channels respectively.

**Note:**

The TVConfig function is available on D22 only.

Asteio D20

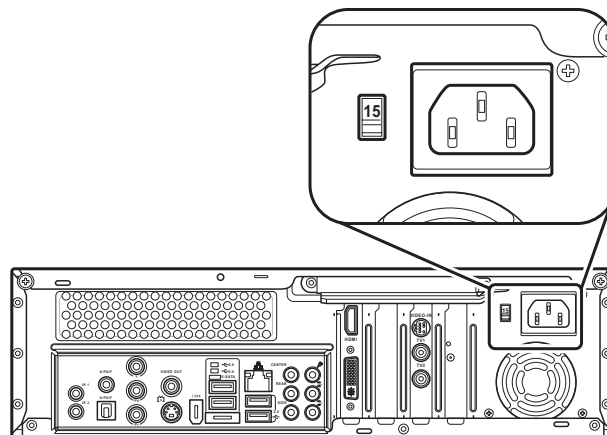


Item	Component	Description
1.	USB ports x 4	Plug USB devices (such as a USB printer, camera, scanner, or keyboard) into these ports.
2.	Ethernet jack	Plug 10/100/1000 Ethernet network cable into this jack.
3.	Center Analog Audio Out jack (Line Out)	Plug powered, center/subwoofer speakers or an external audio amplifier into this jack.
4.	Microphone jack	Plug an external microphone into this jack to record or transmit voice files.
5.	Audio Out jack	Line Out for front speakers.
6.	HDMI	Plug an HDMI (High Definition Multimedia Interface) device into this port.
7.	LED indicator	Indicates that the wireless LAN card is running.
8.	TV	Plug a TV signal cable into this port.
9.	Power In jack	Plug the power cord into this port.
10.	Video In	Plug a coaxial cable from a video source into this jack.

Item	Component	Description
11.	WiFi Antenna connector	Plug an wireless LAN antenna into this port.
12.	VGA port/ DVI port	Plug a digital video output connector for TV/Monitor. Plug a digital video output connector for TV/Monitor.
13.	Audio In jack	Plug to an analog audio device such as a CD player into this jack for input into PC.
14.	Rear speaker jack	Plug rear speakers in a multichannel audio configuration.
15.	Side speaker connector	Plug side speakers in an eight-speaker system.
16.	E-SATA port	Plug an external drive to your Media Center PC.
17.	IEEE 1394 port	Plug an IEEE 1394 device, such as a digital camrecorder into this 6-pin IEEE 1394 port.
18.	S-video Out port	Plug in an S-video cable to this port to connect to a TV set.
19.	Component video ports	Plug in a component video cable to connect to a TV set.
20.	S/PDIF port (optical)	Plug an optical (Toslink) digital audio cable into this jack for digital audio transfer.
21.	IR ports x 2	Plug the IR control cables in this port to send input from the keyboard or remote a set-top box to change channels.
22.	S/PDIF port (RCA)	Plug an RCA cable into this jack for digital audio transfer.
23.	Video Out port	Plug an RCA cable into this jack to connect to a TV set.

Notes:

- The connectors may vary depending on the model you purchase.
- Ensure you use the correct voltage as recommended by the manufacturer before turning on your Media Center PC. Check the voltage label located on the left of the Power In jack.



Making connections

Connecting the TV signal source

Your Media Center PC has connectors for Video-In or coaxial (TV) input. Select the connector that your video source supports:

- **Video-In**

The video signal that provides the highest quality video for your Media Center PC. If you use Video-In, you also need to connect the audio source using RCA stereo plugs.

- **Coaxial (TV)**

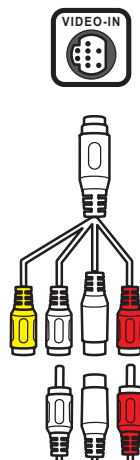
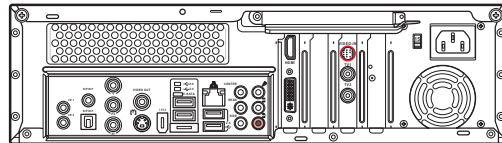
The video and audio signals are both carried on one cable. The coaxial cable is the easiest way to connect a direct cable or an antenna video source to your Media Center PC.

Note:

In a MCE environment, if the device is set to receive digital TV signals, the analog TV and FM radio functions will be disabled and vice versa.

Connecting to the TV signal using S-video

1. Connect the Video-In cable provided from a video source such as a cable set-top box, a satellite set-top box, or other video source device, to the Video In adapter cable provided. Next, connect it to the Video-In port on the back of your Media Center PC.
2. Connect an RCA cable from the Audio Out jacks on the video device to the Line In (red) jack on the back of your Media Center PC.

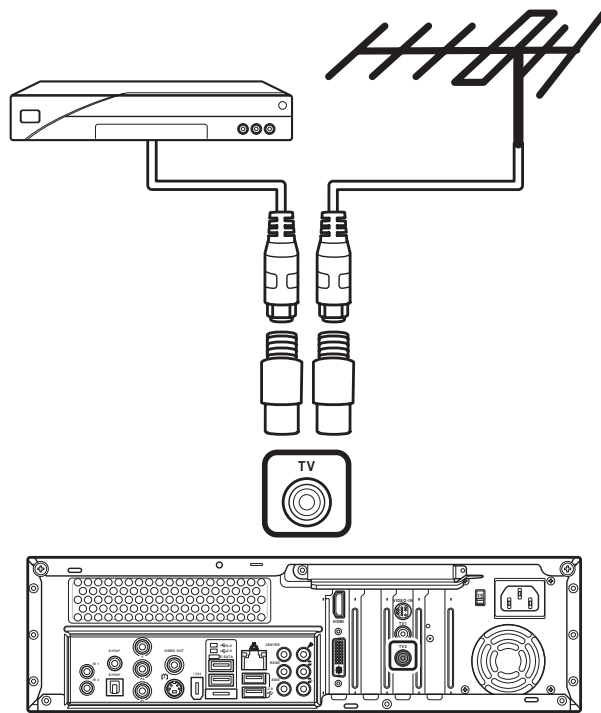


Note:

You need to use the RCA adapter cable to connect to the RCA cables.

Connecting to the TV signal / Coaxial TV

Connect a coaxial cable (not included) from a video device, such as a direct cable connection, a cable set-top box, a satellite set-top box, or an antenna, to the TV2 jack on the back of your Media Center PC.



Configure the TV settings using the Asus TVConfig feature on your Media Center PC. Open the Asus TVConfig program by clicking the shortcut icon on the desktop or from Programs in the Start menu. Select the device from the drop-down menu and check settings for Analog TV, FM, and DVBT channels respectively.



Note:

The TVConfig function is available on D22 only.

Connecting the TV signal source to an existing setup

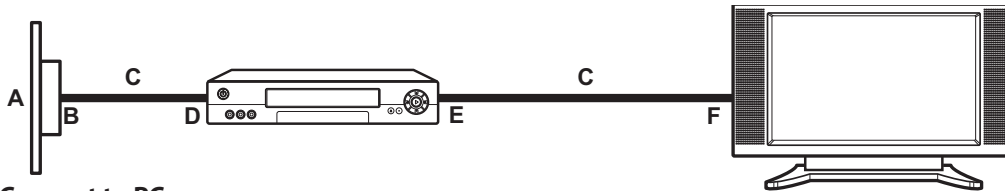
This section describes how to connect the Media Center PC to an existing setup for your TV signal source.

Wall to VCR to TV using coaxial cable

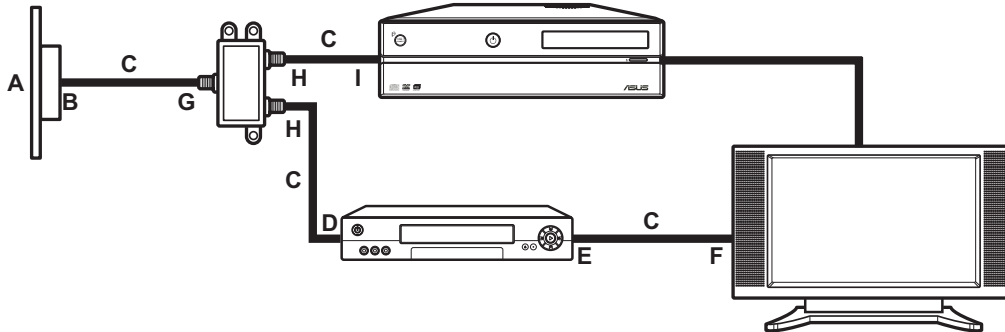
Remove the coaxial cable at the input to the VCR, and connect it to the input of a coaxial cable signal splitter (not included). Connect two coaxial cables to the splitter outputs.

Connect one of these cables to the input of the VCR and the other to the TV connector on the back of the Media Center PC.

Existing setup



Connect to PC



- A Wall
- B Cable outlet
- C Coaxial cable
- D VCR In
- E VCR Out
- F TV In
- G Splitter In
- H Splitter Out
- I TV In jack on the back of the Media Center PC

Note:

Splitters are not included.

Wall to cable TV set-top box, or satellite box to VCR to TV using coaxial cable

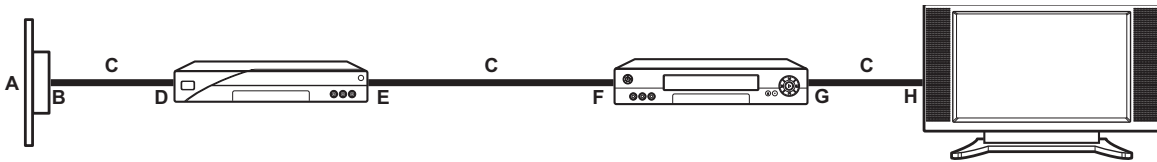
Remove the coaxial cable at the input to the VCR, and connect it to the input of a coaxial cable signal splitter (not included). Connect two coaxial cables to the splitter outputs.

Connect one of these cables to the input of the VCR and the other to the TV connector on the back of the Media Center PC.

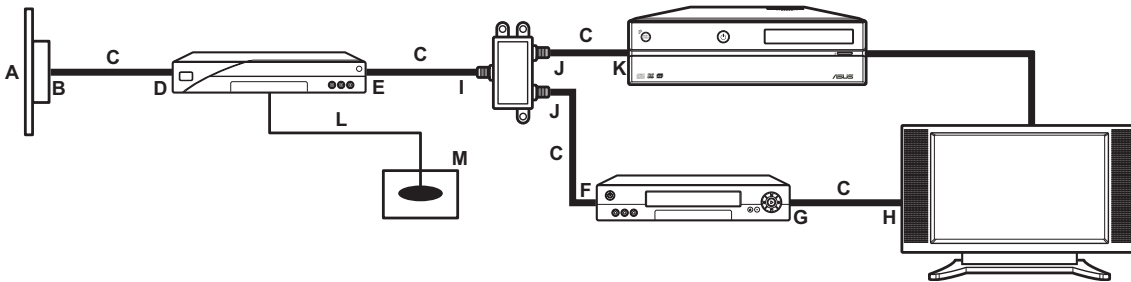
Note:

Connect your set-top box to the VCR using the coaxial cable.

Existing setup



Connect to PC



- A Wall
- B Cable outlet
- C Coaxial cable
- D Set-top box/Satellite In
- E Set-top box/Satellite Out
- F VCR In
- G VCR Out
- H TV In
- I Splitter In
- J Splitter Out
- K TV In jack on the back of the Media Center PC
- L Remote control sensor cable
- M Remote control sensor

Note:

Splitters are not included.

Using the TV as a Monitor

The TV-out capability of your PC enables you to connect it to a TV to view the image from your PC on a TV screen. With the TV-out feature, you can view the PC image, watch DVD movies, or play games on your TV.

Cables for connecting to a TV

To connect your Media Center PC to a TV, you will need to use a video cable and an audio cable. The type of video cable you need depends on your TV model.

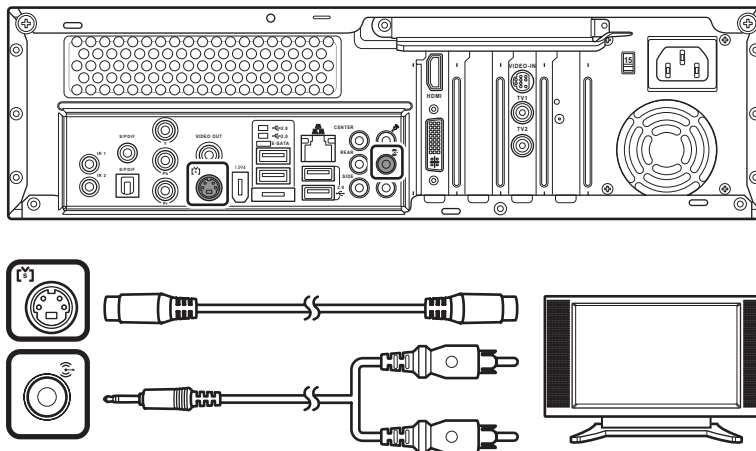
You can also connect your Media Center PC to your TV with one of the following ways:

- S-video with stereo audio
- Component video (YPbPr) with stereo audio
- Video with stereo audio
- DVI with stereo audio
- HDMI
- SCART
- DVI to VGA converter with stereo audio

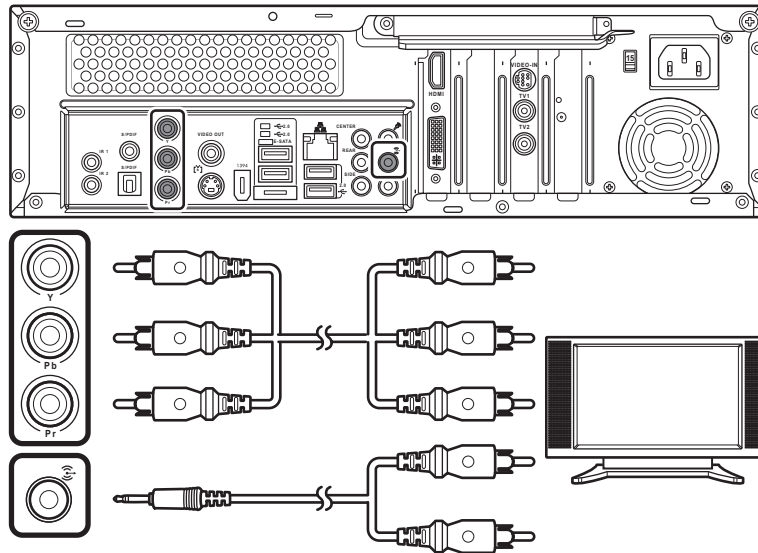
Connecting to a TV

1. Turn off your Media Center PC.
2. Connect the TV cable using one of the following arrangements, depending on the connection jacks on your TV.

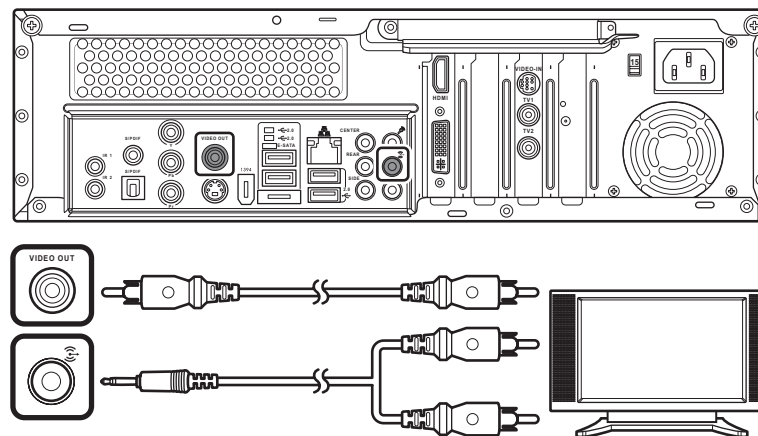
If your TV has an **S-video jack**, connect an S-video cable from the **S-video In** jack on the TV to the **S-video Out** jack on the back of your Media Center PC.



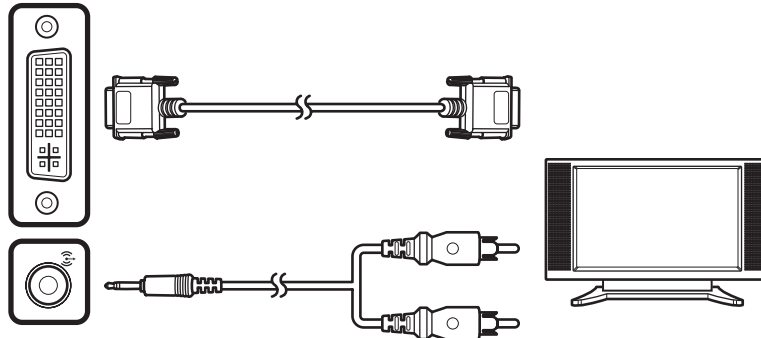
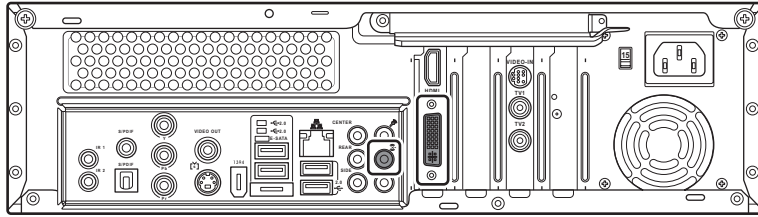
If your TV has a **component video** input jack, connect a component video cable to the **Component Video** jack on the TV and to the component video out jack on the back of your Media Center PC.



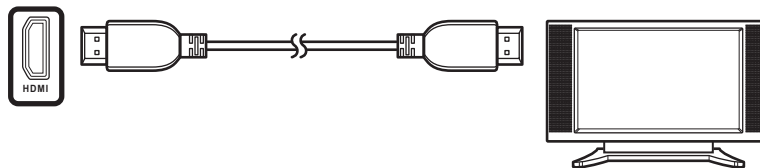
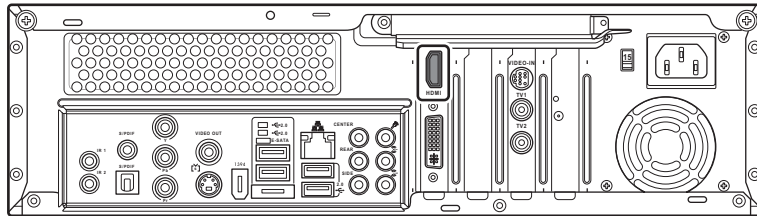
If your TV has a **video input** jack, connect a video cable to the **Video In** jack on the TV and to the **Video Out** jack on the back of your Media Center PC.



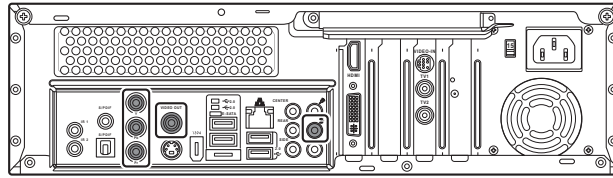
If your TV has a **DVI** connector, connect a DVI cable to the DVI connector on the TV and to the **DVI** connector on the back of your Media Center PC.



If your TV has a **HDMI** connector, connect a HDMI cable to the HDMI connector on the TV and to the **HDMI** connector on the back of your Media Center PC.

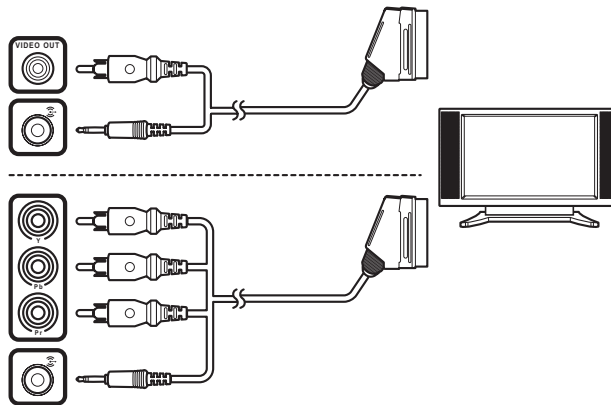


If your TV has a **SCART** connector, connect a SCART/composite video cable to the **SCART** connector on the TV and to the **Video Out** and **Line Out** (lime green) connectors on the back of your Media Center PC. You can also connect your Media Center PC to a TV using a SCART/component video cable as shown below.

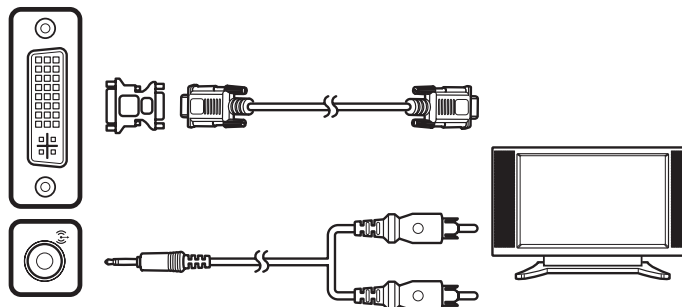
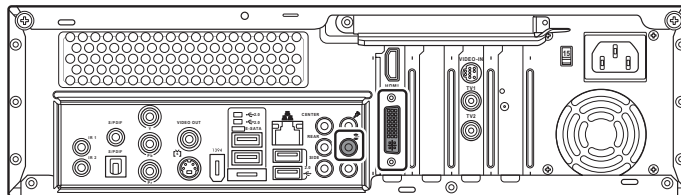


Notes:

The cables shown are for illustrative purposes only. Packaged cables may vary.



If your TV has a **VGA** connector, first plug a **VGA** converter to the **DVI** connector on the back of your Media Center PC (for Asteio D22 only), and then connect your PC to the TV using a VGA cable.



3. Turn on the TV and select the **TV In** video source or **PC** source according to your TV model.

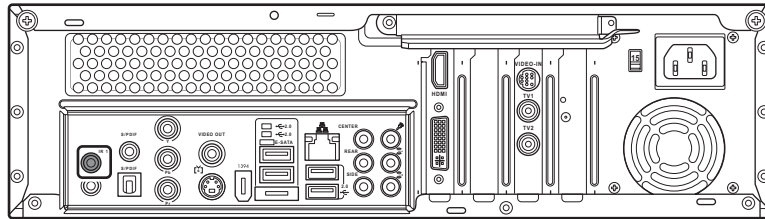
Note:

Openings in the computer case are provided for ventilation. Do not block or cover these openings.

Connecting Infrared Receiver to external device

To connect an external device such as a set-top box or or a monitor, do the following:

1. Connect one end of the IR cable to the IR port on the back of your Media Center PC.
2. Connect the other end of the IR cable to the set-top box as shown.



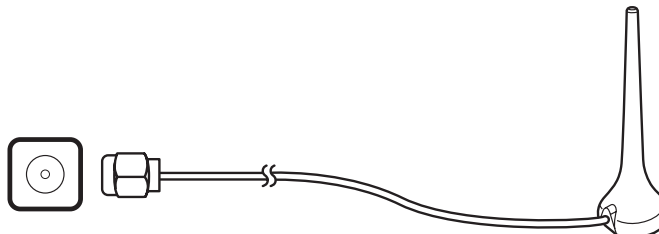
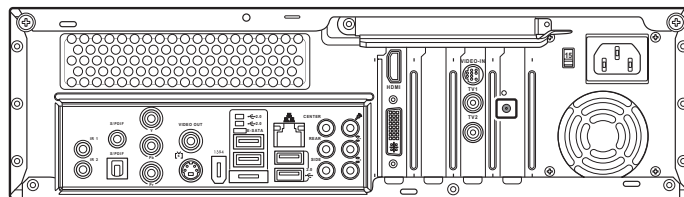
Note:

There are two IR ports available for connection.

Installing the wireless LAN antenna

To connect an external antenna to the wireless LAN card, do the following:

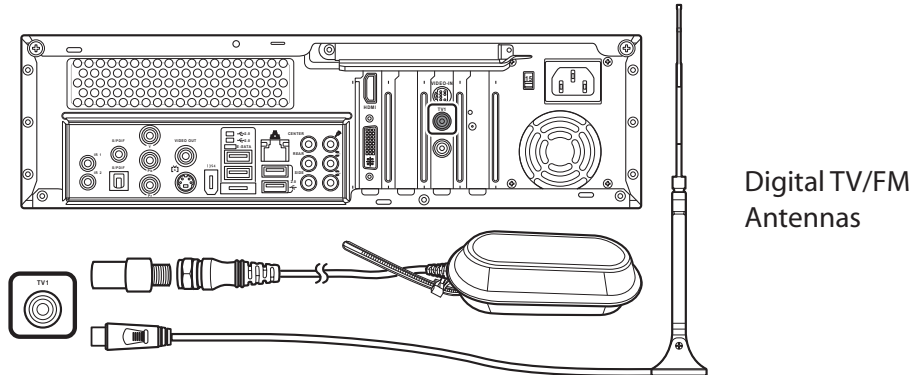
1. Fasten the external antenna provided to the wireless LAN connector on the back of your Media Center PC until tight.
2. The LED indicator starts flashing indicating the reception of WLAN signals.



Installing the digital TV/ FM antenna

To connect the digital TV /FM antenna, do the following:

1. Fasten the NTSC to PAL converter to the digital TV /FM antenna provided.
2. Connect the digital TV /FM antenna to TV jack on the back of your Media Center PC.



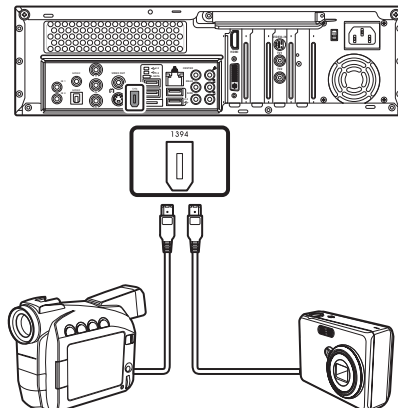
Notes:

- The antennas shown are for illustrative purposes only. Packaged antenna may vary.
- The reception signal and quality of the Digital TV/FM antennas may vary in different regions.

Connecting to a digital video camera

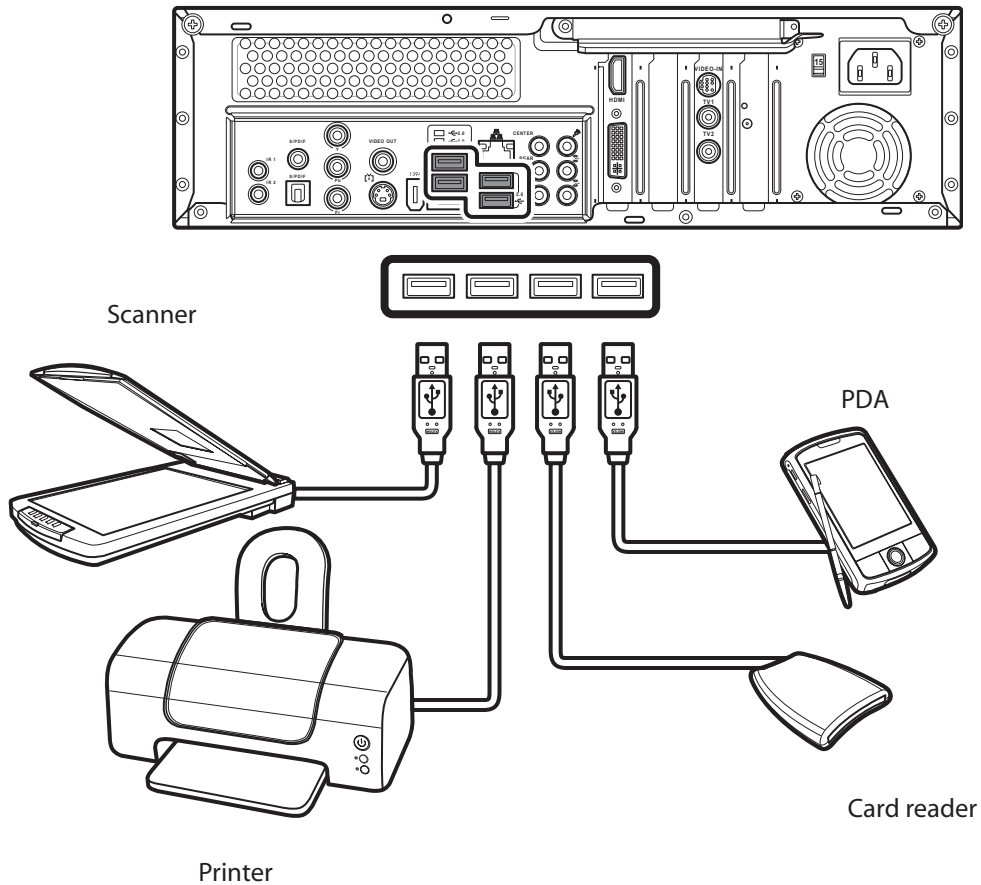
To connect a digital camera or a digital video camera, do the following:

1. Turn on your Media Center PC, and wait for Windows XP to start.
2. Connect the video camera transfer cable into the camera and then into a free USB port or an IEEE 1394 (FireWire) port on your Media Center PC.
3. A **Found New Hardware** message appears. Follow the on-screen instructions to make necessary settings for the new found device. When installation is complete, a message appears telling you the camera is ready to use.



Connecting to other devices







Other peripheral devices such as a printer, scanner, card reader, and PDA can also be connected to your Media Center PC.



Configuring Speaker and Sound Options

Asus Media Center PC supports many different audio options, sound connections, and speaker configurations. You may set up your PC to use two stereo speakers or a multi-channel audio speaker system. Connect your speaker system to the PC, and then configure the audio software for sound output.

Asus Media Center PC includes six sound connectors on the back of your PC. You can connect up to a 7.1 audio systems to the PC.

Sound connector	Description
SIDE 	Line SIDE (grey) connects to side speakers in an eight-speaker system. (7.1)
CENTER 	Line CENTER (orange) connects to center/subwoofer speakers in a multi-channel audio configuration.
REAR 	Line REAR (black) connects to rear speakers in a multi-channel audio configuration.
	Line Out (lime green) connects to front speakers.
	Line In (red) connects to an analog audio device such as a CD player for input into PC.
	Mic (light blue) connects to a microphone.

Speaker configurations

You may set up your Media Center PC for the following supported configurations:

Name	Speaker System
Headphones	None.
2 (stereo)	Left speaker, right speaker.
2.1	Left speaker, right speaker, and a subwoofer.
4.1	Two front speakers, two rear speakers, and a subwoofer.
6/ 5.1	Two front speakers, two rear speakers, a center speaker, and a subwoofer.
8/ 7.1	Two front speakers, two rear speakers, two side speakers, a center speaker, and a subwoofer.
Home audio system	Home stereo or home theater audio system with passive speakers.

Speaker types

Your PC supports only an active (powered) speaker system. An active speaker system must have its own power source. A home audio system does not require active speakers because the receiver provides amplification.

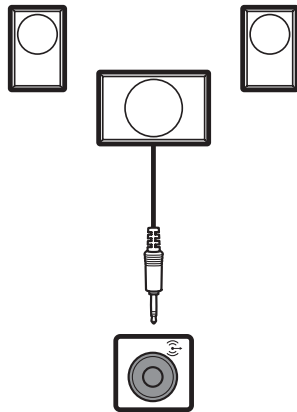
A stereo speaker set is a left-right, two channel speaker system. A multi-channel audio speaker has a left-right front and left-right rear channel, and it may include a subwoofer and a center speaker. Side speakers are included in more advanced systems. A subwoofer provides enhanced bass sounds.

“.1” indicates a subwoofer. For instance, 7.1 channels refers to an eight-speaker mode and uses two front speakers (left-right), two side speakers (left-right), a center speaker, and a subwoofer.

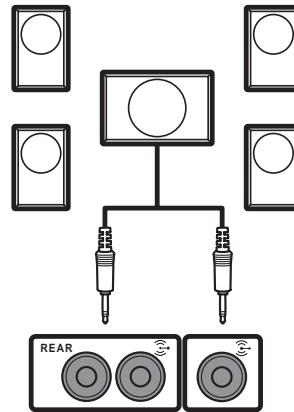
Connecting audio speakers

Refer to the illustrations below to connect audio speakers to your Media Center PC according to your speaker system. After connecting the speakers to the PC, configure the audio settings for sound output for your Media Center PC.

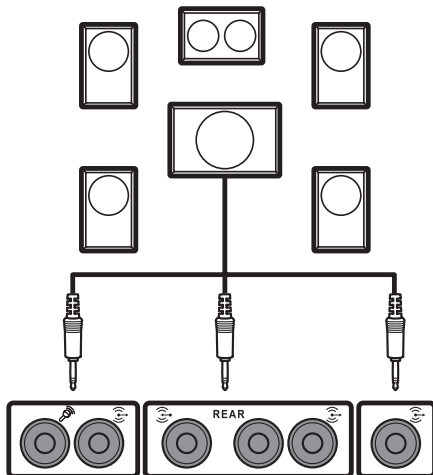
2 Speakers



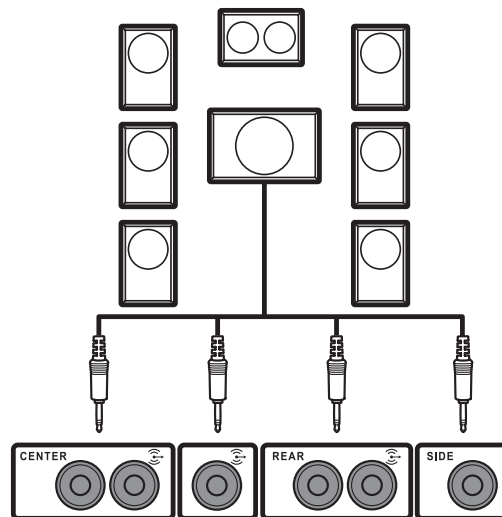
4 Speakers



5 Speakers and a subwoofer



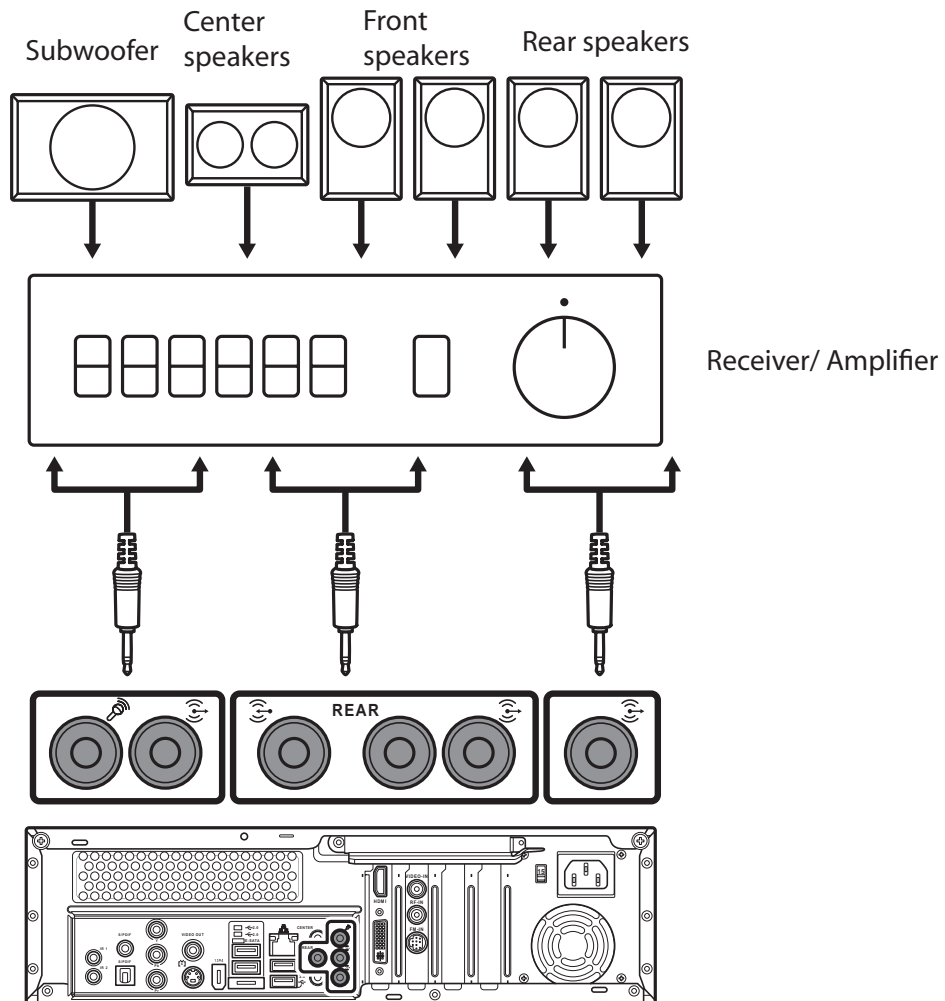
7 Speakers and a subwoofer



Connecting your Media Center PC to a home audio system

You can connect your Media Center PC to your home stereo or home theater multi-channel audio receiver/amplifiers using your existing speakers.

Most home receiver/amplifiers have RCA-type input connectors. You may require Y adapter cables to connect the receiver/amplifiers to your Media Center PC (optional).



Configuring audio output settings


You can configure your speaker's audio output with the SoundMax software or the Media Center software installed on your Media Center PC.

Configuring audio output with SoundMax Audio Wizard

After installing the speakers to your Media Center PC, follow the steps below to configure audio settings:







1. Click **Start** on the taskbar to launch the Windows Start menu.
2. Click **All Programs**.
3. Select **SoundMax** to open the program. The SoundMax window opens with the one of the control screens.



4. Click the Audio Wizard  icon on the taskbar to configure audio output settings for your speaker system.
5. Select the option describing the number of speakers in your system from the drop-down box.
6. The Volume Adjustment window appears. Adjust volume for each speaker by moving the volume bars or adjust the volume for all speakers simultaneously with the main volume control in the middle of the screen.
7. Click **Next**. The microphone volume adjustment screen appears. Click **Microphone Test** to test the microphone and click **Next** to proceed.
8. Click **Finish** to exit the SoundMax Audio Wizard.

Using the SoundMax taskbar

The SoundMax window consists of the following functions:

1.  Audio Wizard: Click to open the Audio Wizard screen and configure audio out settings.
2.  Default settings: Click to restore all settings to factory defaults.
3.  Preference settings: Click to open the preference settings window and adjust settings to suit your needs.
4.  Volume control: Click to show/hide the volume control screen.
5.  Record setting: Click to show/hide the record settings screen.
6.  Help: Click to display the Help window.

Configuring audio output with Windows XP Media Center

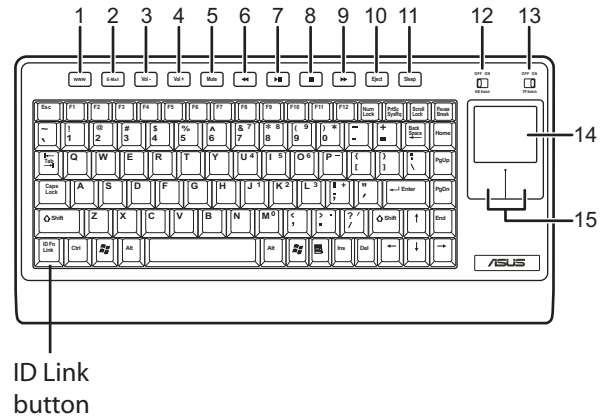
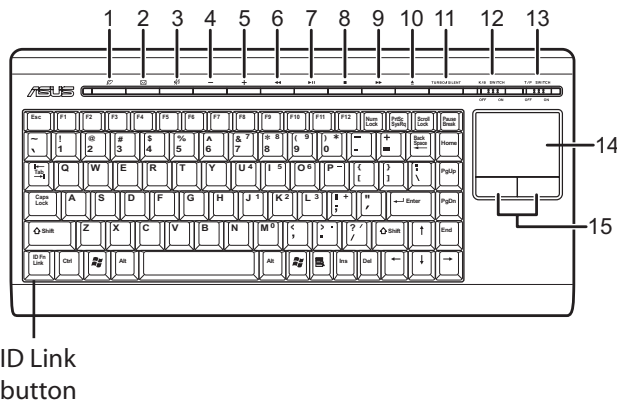
1. Click **Start** on the taskbar to launch the Windows Start menu.
2. Click **All Programs**.
3. Select **Windows XP Media Center** to open the program. The Windows XP Media Center window opens on the screens.
4. Choose **Settings** from the main menu.
5. Choose **Speaker Configuration** and click **Next**.
6. Select the number of speakers in your system and click **Next**.
7. Test your speakers' audio output. Select the test outcome and click **Next** to proceed.
8. Click **Finish** to exit.

Using the PC hardware

Using the wireless keyboard

Your Media Center PC includes a wireless keyboard with a built-in receiver/transmitter. A light on the upper right corner of the keyboard indicates receiver activity.

Using the special keyboard buttons



Refer to the table below to familiarize yourself with the functions of the special keyboard buttons.

Item	Feature	Description
1.	Internet	Press to open your Internet browser.
2.	E-mail	Press to open an e-mail program.
3.	Mute	Press to disable audio.
4.	Volume down	Press to decrease the volume.
5.	Volume up	Press to increase the volume.
6.	Rewind	Press to rewind a media file.
7.	Play/Pause	Press to play or pause a media file.
8.	Stop	Press to stop a media file.
9.	Forward	Press to fast-forward a media file.
10.	Eject	Press to eject the disc tray.
11.	Turbo/Silent	Press to toggle between Turbo / Silent mode
12.	Keyboard power switch	Turns the keyboard power on/off.
13.	Touch pad switch	Enables/disables the touch pad function.
14.	Touch pad	Allows mouse movement by dragging a fingertip across the surface.
15.	Left/right click buttons	Act as left/right click buttons of a regular mouse.

Note:

The keyboards shown above are for illustrative purposes only. Packaged keyboard may vary.

Notes:

- If your Media Center PC cannot detect the wireless keyboard, press the **Connect** button on the upper left corner of the front panel and the **ID Link** button on the lower left corner of the keyboard.

- Your Media Center PC features two operating modes:

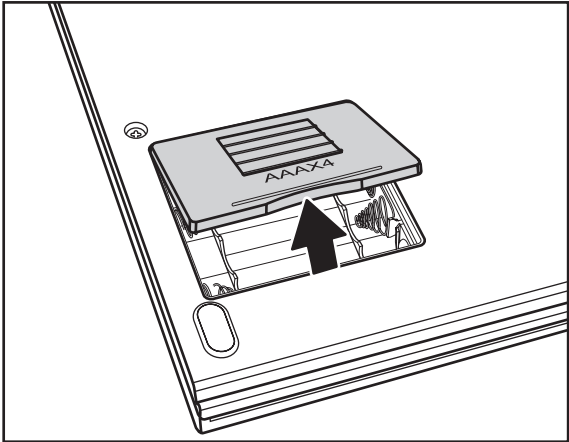
Silent mode: In Silent mode, the system automatically reduces the CD-ROM transfer rate and the speed of the CPU and GPU. This provides the user with a quiet working environment. This is the default system mode.

Turbo mode: In Turbo mode, the system will use the highest CD-ROM, CPU and GPU speeds possible to achieve optimum performance. This is ideal for tasks demanding high performance, such as video games or multi-function media processing.

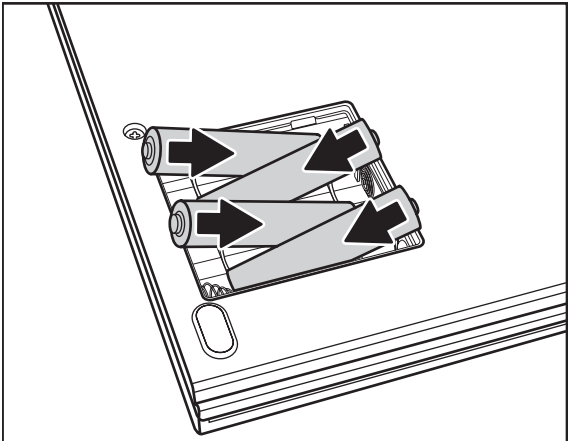
- The wireless keyboard is equipped with a power saving mode to reduce power consumption. When the wireless keyboard is left idle for more than three minutes, it enters the power saving mode. Press any key (excluding the touch pad and the left/right click buttons) to return to normal mode. (In power saving mode, the battery consumption is 1.88% of that in normal mode.)

Inserting keyboard batteries

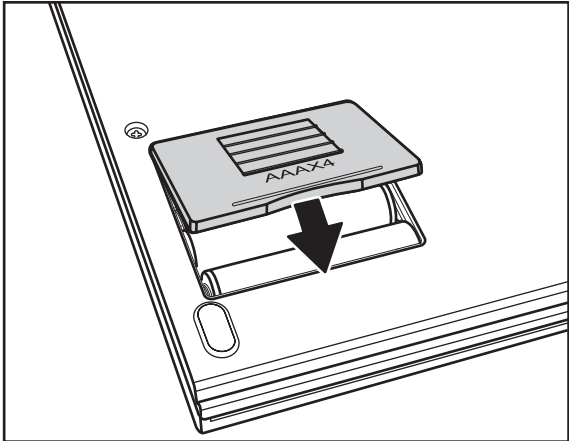
1. Open the battery compartment on the back of the keyboard.



2. Insert the batteries paying attention to the polarity markings inside the battery compartment.



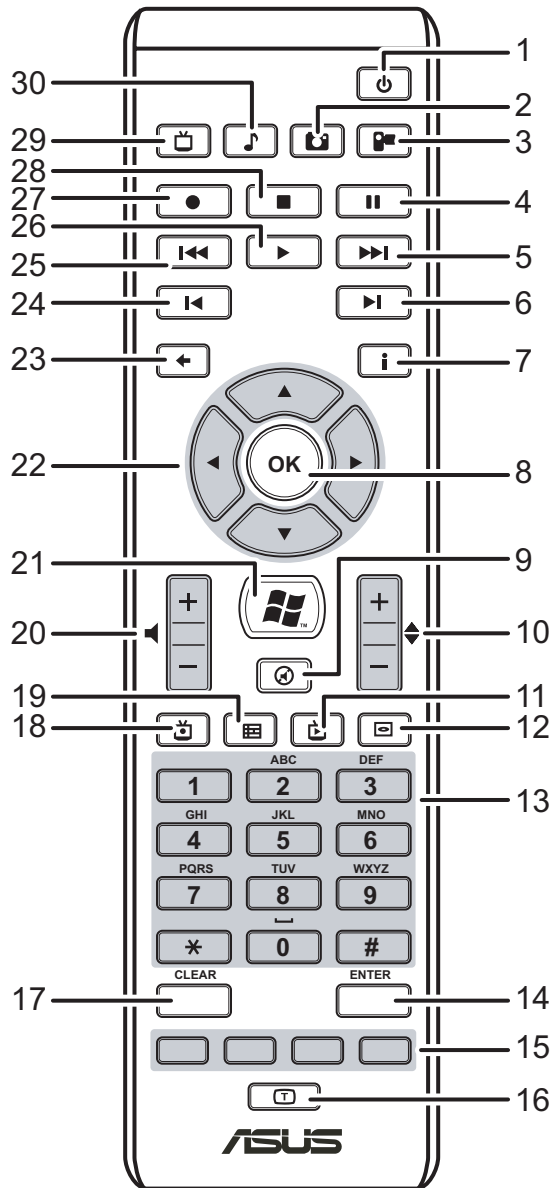
3. Replace the battery compartment cover.



Using the remote control

Use the remote control to open the Windows XP Media Center program, and use it to view TV, record TV programs, play previously recorded programs or other media files such as music, video, or movies.

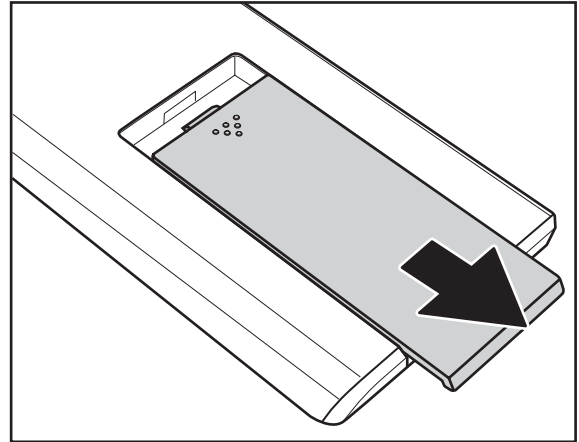
Refer to the table below to familiarize yourself with the functions of the remote control buttons.



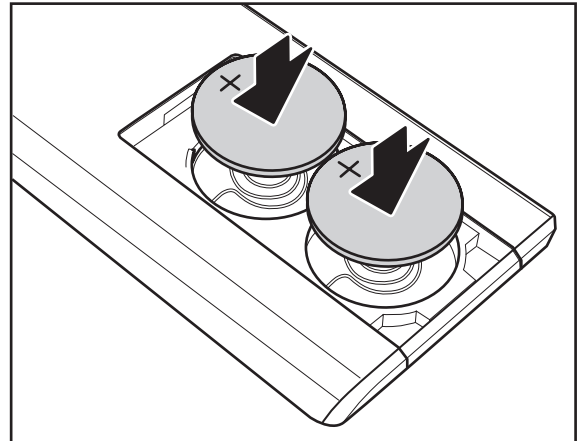
Item	Name	Description
1.	Power	Press to turn off the power of the screen and the speakers. (Away mode)
2.	Photo	Press to enter the Photo mode.
3.	Video	Press to enter the Video mode.
4.	Pause	Press to pause a media during media playback.
5.	Fast-forward	Press to fast-forward a media file.
6.	Next track	Press to go to the next track.
7.	Information	Press to display the program information screen.
8.	OK button	Press to confirm an action.
9.	Mute	Press to disable audio.
10.	Channel up/down	Press to change channels when watching TV.
11.	Live TV button	Press to watch live TV programs.
12.	DVD button	Press to switch to DVD source.
13.	Numeric keys	Press to enter a channel number directly.
14.	Enter	Press confirm a selection.
15.	Teletext buttons	Only available on European models.
16.	Shift button	Toggles between numerical and alphabetical input.
17.	Clear	Press to clear input information.
18.	TV Recording	Press to start recording the current TV program.
19.	EPG (Electronic Program Guide)	Press to display the electronic program guide screen.
20.	Volume up/down	Press to increase/decrease audio.
21.	Windows Media Center	Press to open the Media Center program.
22.	Four-way navigation keys	Press to scroll through on-screen display menus.
23.	Return	Press to return to the previous page.
24.	Previous track	Press to go back to the previous track.
25.	Rewind	Press to rewind a media file.
26.	Play	Press to playback a media file.
27.	Record	Press to start recording.
28.	Stop	Press to stop playing back a media file.
29.	TV	Press to enter the TV mode.
30.	Music	Press to enter the Music mode.

Inserting remote control batteries

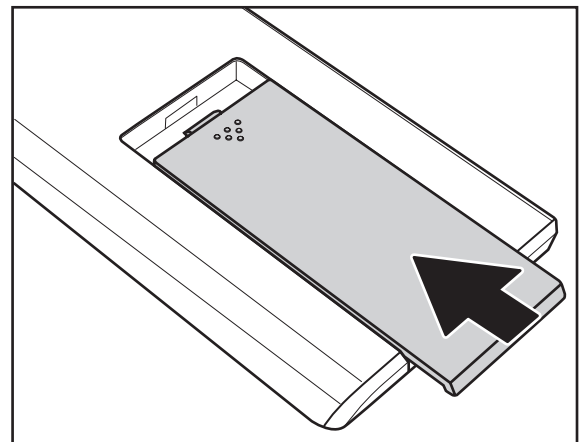
1. Open the battery compartment on the back of the remote control.



2. Insert the batteries paying attention to the polarity markings inside the battery compartment.



3. Replace the battery compartment cover.



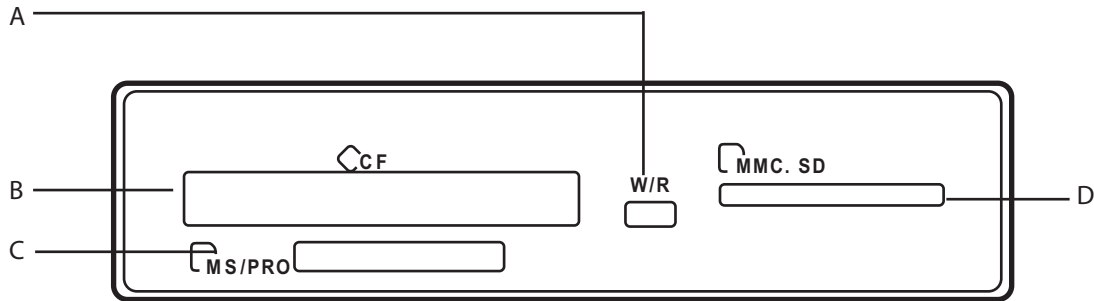
Using the memory card reader

Digital cameras and other digital imaging devices use memory cards to store digital picture or media files. The built-in memory card reader on the front panel of your Media Center PC allows you to read and write to a variety of memory cards drives.

You can place media in one or more of the card slots and use each media independently. Place only one memory card in a slot at one time. Each card slot has its own driver letter and icon which are displayed on the **My Computer** screen.

Refer to the illustration below to familiarize yourself with the memory card reader slots.

Memory card insertion guide



Item	Name	Description
A	Activity LED	Indicates data is being read or written
B	CF slot	Supports MD, CF Type I/II
C	MS/MS PRO Slot	Supports MS/MS-Pro, MS duo, MS pro duo
D	MMC/SD slot	Supports SD, mini SD (Micro SD through adapter), MMC, MMC4.x, RS MMC, RSMMC4.x (MMC mobile through adapter)

To use the memory card reader, do the following:

1. Gently insert the memory card into the appropriate card slot until it stops.
2. An Autoplay window opens. Select a program to access the files saved on the memory card. The Media Center PC opens a program so you can access the memory card contents. You can copy files from or to the memory card.

OR

If the Autoplay window does not open automatically, you can click **Start**, and select **My Computer**, and then double-click the memory card icon to display the contents on the memory card.

3. When you have finished working with your memory card, right-click the drive icon and select **Eject**. When the activity light has stopped blinking, remove the memory card from the card slot.

Note:

When the activity light is still blinking, do not remove the memory card. Doing so may cause loss of data or damage the memory card.




"DTS CONNECT," "DTS INTERACTIVE" and "DTS NEO:PC" are trademarks of DTS, Inc. "DTS" is a registered trademark of DTS, Inc.



Starting the Windows XP Media Center

You can take full control of the Windows XP Media Center from your wireless keyboard/mouse, and the remote control. Use the device that is most comfortable for you.

You can start Windows XP Media Center in one of the following two ways:

- To start Windows XP Media Center from the Start menu:
 - Click **Start**, and choose **Media Center** from the Start menu.
- To start Windows XP Media Center with the remote control:
 - Press the **Media Center**  button on your remote control.

Using My TV

You can take control of your TV viewing experience with the **My TV** feature. Use **My TV** to watch live TV programs, record TV programs, watch buffered TV, watch recorded programs, view program information, and more.

Watching a TV program

1. On the remote control, press the **TV** button. The last viewed TV channel is displayed.
2. Use the **Channel up/down** buttons to change channels while watching TV.

Recording TV programs

1. Use the **Channel up/down** or the numeric keys to select the program that you wish to record.
2. Press the **Record** button on the remote control to start recording.

Playing TV recordings

My TV automatically records TV programs to a program buffer when you are watching TV. When you pause live TV programs, **My TV** continues recording the program for up to 30 minutes so you can watch the program from where you previously left off.

1. Press the **Pause/ Stop** button to pause/stop the live TV program and start program buffering.
2. Press the **Play** button to resume watching TV where you left off when you pressed the **Pause/Stop** button.

Notes:

- The far end live TV access function under Broadcast On-the-Go varies from region to region according to its respective signal setting.
- The copyright of the software on the supplied CD belongs to its respective holders. Asus is not responsible for providing upgrade or troubleshooting services.

Using My Music

My Music allows you to enjoy a complete music experience. You can listen to CDs, view artist information, create your own music playlists, categorize and listen to music by genres, and more.

Adding music CDs to the Media Library

1. Click **Start** and select **Windows Media Player** from the Start menu.
2. Insert the CD you want to add to the Media Player's Media Library.
3. On the left side of the Media Player, click **Copy from CD**, and then click **Copy Music**.
4. Click **Add copy protection to your music**, and then check the box next to the copyright statement to continue copying the CD to your Media Center PC.
5. Select **Change my current format settings** or **Keep my current format settings**, and then click **Finish**. The CD copies to your hard drive.

Playing Music

1. Press the **Music** button on the remote control to open **My Music** screen.
2. You can select the music you want to listen by Albums, Artist, Playlists, Songs, or Genres.

Using My Pictures

My Pictures makes it easy and fun to look at and manage your digital photos. You can browse the pictures individually or playing them as a slide show with music background.

Viewing pictures

1. Press the **Photo** button on your remote control to open **My Pictures** window and the picture folders are displayed.
2. Use the Four-way navigation keys to select photo folder you want view and press **OK**. The picture folder opens.
3. Highlight a picture you want to view and press the **OK** button.

You can select **Play slide show** on the sidebar to play the pictures in the selected folder in a slide show.

Using My Videos

My Videos makes it easy to enjoy digital videos. You can watch and share your videos as well as organize them by name or date.

Viewing videos

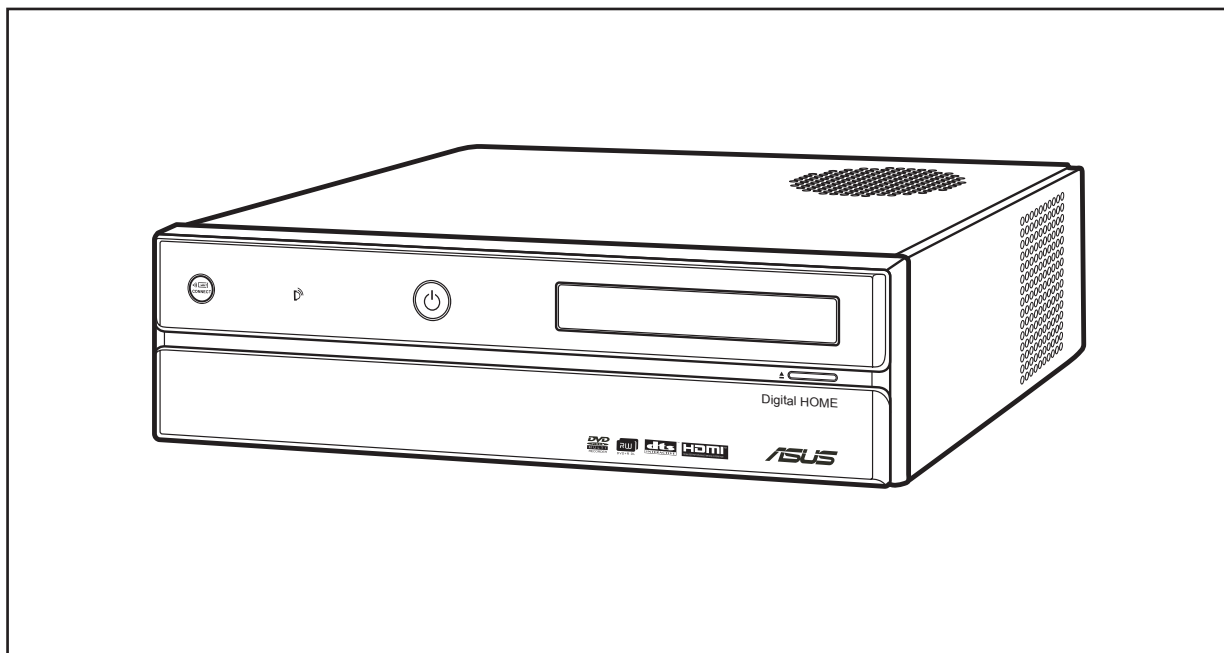
1. Press the **Video** button on your remote control to open the **My Videos** window and the video folders are displayed.
2. Use the Four-way navigation keys to select video folder you want view and press **OK**. The video folder opens.
3. Highlight a video you want to watch and press the **OK** button to start playback.

Specifications

Model	D22	D20
OS	Microsoft Windows XP Media Center Edition	
Inter ViiV	Inter ViiV v 1.5	
CPU	Intel Conroe E6300 1.86 GHz, FSB 1066/800 MHz, 2M L2 Cache	
Chipset	Intel Broadwater P965 + ICH18-DH	Intel Broadwater G965 + ICH18-DH
Graphics	NVIDIA nForce4 7600 series (256M, DDR3)	Intel GMA X3000
Memory	1GB (DDR2 533 512M x 2), Dual channel	
HDD	250G SATA2, NCQ, 7200rpm	160G SATA2, NCQ, 7200rpm
Optical	16X DVD Dual Supermulti DL	
Tuner	Dual Channel (2A/2D/1A1D) with Radio , PCI-E x 1	Hybrid with Radio (Analog /Digital), PCI
Wireless	802.11b/g	
LAN	10/100/1000 Mbps	
Card reader	13-in-1 CF slot: MD, CF type I & II MS slot: MS, MS pro, MS duo, MS pro duo SD/MMC slot: SD, Mini SD (Micro SD through adapter), MMC, MMC4.x, RS MMC, RSM MMC4.x (MMS mobile through adapter)	
Expansion slots	1 x PCI-E x 16, 2 x PCI-E x 1, 1 x PCI	
S-ATA	SATA II x 4, eSATA x 2	
Audio	Intel High Definition Azalia, 7.1 Channel	
Front panel	USB 2.0 x 2, IEEE 1394 (4-pin) x1, eSATA port x 1, Microphone jack x 1, Headphone jack x 1, 13-in-1 card reader x 1	

Model	D22	D20
Rear panel	USB 2.0 port x 4, IEEE 1394 port x 1, eSATA port x 1,	
	Video Out ports: HDMI x 1, Component video port (Y/Pb/Pr) x 1, DVI out x1 (for D22) , D-Sub out x 1 (for D20), Composite video port (RGB) x 1, SCART x 1, DVI to D-Sub adapter x 1 (for D22), HDMI to DVI adapter x 1 (for D20)	
	Video In ports: Composite video port (RGB) x 1 (by adapter cable), S-video port x 1 (by adapter cable), TV In x 2 (for D22), TV In x 1 (for D20)	
	Audio Out: 7.1 channel speaker output x 1, S/PDIF port x 1, Coaxial connector x 1, Composite video port (L/R) x 1 (by adapter cable)	
	Audio In: Composite video port (L/R) x 1 (by adapter cable)	
	10/100/1000 Ethernet port x 1	
Power supply	275 W (PFC)	
Dimension	357 mm (W) x 95 mm (H) x 398 mm (D)	
Specifications are subject to change without prior notice. Asus reserves the right to replace the component materials and accessories to provide customers with optimum serviceability.		
Check the package contents with your vendor upon purchase of the device.		

ASUS[®]



繁體中文

ASUS Asteio

數位影音中心

型號：D22/ D20

使用手冊



給使用者的說明

感謝您購買華碩 ASTEIO 數位影音中心，請您務必詳閱本使用手冊的說明，並請妥善保存，以備日後有需要時作為使用上的參考。

關於本使用手冊

本產品的所有部分，包括配件與軟體等，其所有權歸華碩電腦公司（以下簡稱華碩）所有，未經華碩公司許可，不得任意地仿製、拷貝、謄抄或轉譯。本使用手冊沒有任何型式的擔保、立場表達或其它暗示。若有任何因本使用手冊或其所提到之產品的所有資訊，所引起直接或間接的資料流失、利益損失或事業終止，華碩及其所屬員工恕不為其擔負任何責任。除此之外，本使用手冊所提到的產品規格及資訊僅供參考，內容亦會隨時更新，恕不另行通知。本使用手冊的所有部分，包括硬體及軟體，若有任何錯誤，華碩沒有義務為其擔負任何責任。

當下列兩種情況發生時，本產品將不再受到華碩公司之保固及服務：

- (1) 該產品曾經非華碩授權之維修、規格更改、零件替換。
- (2) 產品序號模糊不清或喪失。

使用手冊中所談論到的產品名稱僅做識別之用，而這些名稱可能是屬於其他公司的註冊商標或是版權。

產品規格或驅動程式改變，使用手冊都會隨之更新。更新的詳細說明請您到華碩的全球資訊網瀏覽或是直接與華碩公司聯絡。（聯絡資料請見下一頁）

版權所有· 不得翻印 ©2006 華碩電腦

產品名稱：ASUS ASTEIO D22/D20 數位影音中心

使用手冊版本：First Edition V1

出版日期：2006 年 11 月

安全注意事項

- 避免在灰塵飛揚或是環境髒亂的場所使用本產品（灰塵容易引起系統故障）。
- 請勿將本產品放在重心不穩的物品上。
- 請勿放置重物在本產品上。
- 避免將本產品放置在磁性物質附近（譬如喇叭及電視等）；並請勿將磁片放置在產品前面及上方，以避免電磁效應造成磁片資料流失。
- 請勿將本產品放置在陽光直接照射的地方。
- 請勿將本產品放置在過冷的環境中(5°C或是41°F以下)，也不要將筆記型電腦放在過熱的環境當中(35°C或是95°F以上)，如此可能導致無法正常開機運作。
- 避免產品及其配件淋到水或是暴露在溼氣當中。
- 使用本產品時，務必保持散熱孔暢通，以利散熱。請避免在過於柔軟不平的表面（床上）或墊有軟質桌墊的桌面上使用，以防止散熱孔堵塞。
- 使用前，請檢查各項周邊是否都已經連接妥當再開機。
- 避免邊吃東西邊使用電腦，以免污染機件造成故障。
- 請勿將任何物品塞入電腦機件內，以避免引起機件短路，或是電路損毀。
- 在安裝或是移除不支援熱插拔的周邊時請先關閉電源。
- 清潔電腦前請先關機，並移開變壓器及內部電池。
- 保持機器在乾燥的環境下使用，雨水、溼氣、液體等含有礦物質將會腐蝕電子線路。
- 不可丟擲電腦及其相關組件，應將電腦放在穩定的桌面，並且放在小孩拿不到的地方。
- 請勿試圖拆開機器內部，非本公司授權之維修工程師自行拆開機器可能會造成機器故障，並將喪失保固權益。
- 為降低火災風險，請只使用AWG 26號或更粗的通訊電話線。
- 請避免在雷電天氣下使用數據機（modem），否則可能會遭到閃電的遠距電擊。
- 請避免在洩漏的可燃氣體附近使用數據機（modem）。
- 當開啟隱藏或可見的雷射光源時（如：光碟機或SPDIF等產品），請避免眼睛直視。

目錄

概觀	1
主要功能	1
從這裡開始	2
基本設定	2
產品各部分功能簡介	3
前面板	3
後面板	4
連接設定	8
連接電視訊號	8
連接電視訊號至現有裝置	10
以電視作為顯示螢幕	12
電視訊號線	12
連接至電視	12
連接紅外線接收器至外接裝置	16
安裝無線網路天線	16
安裝數位電視／FM天線	17
連接攝影機／數位相機	17
連接其他裝置	18
音效及喇叭設定	19
喇叭設定	20
連接喇叭	21
連接家用音響	22
音效輸出設定	23
使用 SoundMax Audio Wizard 設定音效	23
使用 Windows XP Media Center 進行音效設定	24
硬體的使用	25
使用無線鍵盤	25
特殊鍵的使用	25
安裝鍵盤電池	27
使用搖控器	28
安裝搖控器電池	30

使用讀卡機	31
記憶卡插槽說明.....	31

開始使用 Windows XP Media Center..... 33

我的電視	33
觀看電視節目	33
錄製電視節目	33
播放錄製的電視節目	33
增加音樂CD至媒體櫃.....	34
播放音樂	34
我的圖片	34
瀏覽照片	34
我的音樂	34
我的視訊.....	35
播放影像檔案	35

概觀

華碩 Asteio 數位影音中心具備超強的性能與豐富的視聽娛樂功能。您可以在全螢幕畫面下享受 Windows XP Media center 的強大功能，若需要使用其他的應用程式，也可以在 Windows XP Media center 下自行安裝所需的軟體。您也可以利用隨機附贈的搖控器，在遠端無線搖控各項家庭娛樂功能，舉凡收看電視、錄製電視節目，播放影片及音樂，以及瀏覽照片等功能。此外，您也可以透過連接無線滑鼠及鍵盤來操作 Windows XP Media center 的各項功能及其他應用程式。

主要功能

- 視聽娛樂功能
 - 收看及錄製電視節目
 - 播放 DVD 影片及家庭視訊影片
 - 聽音樂
 - 相片瀏覽及編輯功能
- 連結能力
 - 視訊會議及視訊電話（需另購 Skype 電話或網路攝影機）
- 支援長距離之無線搖控功能（無線鍵盤最遠可達十公尺）
- 具備 13 合 1 讀卡機（MD、CF type I & II、MS、MS-Pro、MS-Duo、MS- Pro Duo、SD、Mini SD、MM、MMC4.x、RS MMC、RSMMC4.x）資料傳輸功能

從這裡開始

基本設定

在開始設定您的 Media Center PC 之前，請花幾分鐘時間確認以下連接狀態是否正確無誤。

- **網際網路連線**

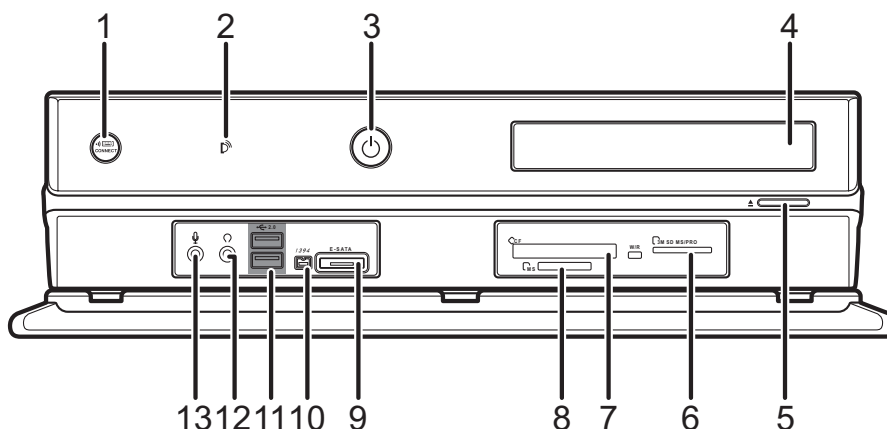
您的電腦必須連接網際網路才能使用並更新電子節目表單（EPG；Electronic Program Guide），以及存取各項網際網路資源。在開始進行Windows XP Media Center軟體設定之前請再次確認您已透過撥接方式或 ADSL 等寬頻線路連接上 Internet。若有任何連線上的問題請與您的網路服務供應商聯繫。

- **視訊來源裝置**

在開始進行Windows XP Media Center軟體設定之前請再次確認您已連接視訊來源裝置。您可以透過同軸或 S-Video 訊號線來連接視訊裝置。一般視訊的訊號來源包括天線、有線電視、電視盒／機上盒（set-top boxes）、衛星接收器等。

產品各部分功能簡介

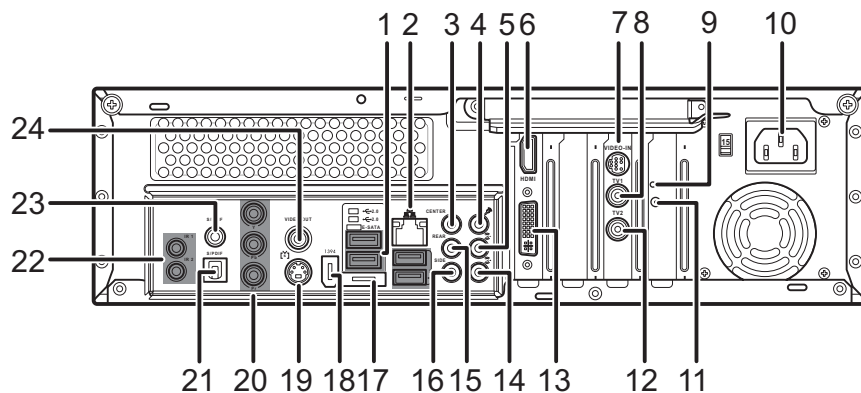
前面板



項次	功能	說明
1	ID 連結接收器	用來進行無線鍵盤的連結設定
2	紅外線接收端	接收遙控器的訊號
3	電源按鈕	開啟或關閉電腦電源
4	光碟燒錄機	可用來聽CD，安裝光碟程式，看DVD及燒錄資料等
5	光碟機退出鈕	按下此鈕退出光碟拖盤
6	SD/MMC Pro 讀卡機	透過讀卡機可將其他數位裝置的檔案儲存至本裝置
7	CompactFlash / MicroDrive 讀卡機	透過讀卡機可將其他數位裝置的檔案儲存至本裝置
8	MS 讀卡機	透過讀卡機可將其他數位裝置的檔案儲存至本裝置
9	外接 SATA 連接埠	可連接外接的 SATA 介面裝置
10	IEEE 1394 埠	連接 IEEE 1394 裝置如 DV 攝影機等
11	二組USB 埠	連接 USB 裝置如 USB 印表機，數位相機，掃描器及鍵盤等
12	耳機	可連接耳機或喇叭
13	麥克風	可連接外接式麥克風

後面板

Asteio D22



項次	功能	說明
1.	四組 USB 埠	連接 USB 裝置 (如USB印表機, 數位相機,掃描器等)
2.	網路埠	連接 10/100/1000 網路線
3.	中央類比音效輸出 (音效輸出)	連接音效裝置
4.	麥克風	連接麥克風, 可用來錄音等
5.	音效輸出	前置喇叭的音效輸出
6.	HDMI	連接 HDMI (High Definition Multimedia Interface)介面裝置, 如液晶電視等
7.	影像輸入埠	連接同軸纜線至視訊裝置, 如有線電視, 衛星電視或天線等
8.	TV 1	連接廣播的外接式天線或數位電視等
9.	LED 指示燈	無線網路指示燈
10.	電源輸入埠	連接電源線
11.	無線網路天線接頭	連接無線網路天線
12.	TV 2	連接類比電視訊號線
13.	DVI 埠	連接電視或顯示器
14.	聲音輸入接頭	連接類比音效裝置, 如 CD 播放機等
15.	後置喇叭接頭	連接後置喇叭

項次	功能	說明
16.	側邊喇叭接頭	連接側邊喇叭（八聲道系統）
17.	外接 SATA 連接埠	連接外接式 SATA 裝置
18.	IEEE 1394 埠	連接 IEEE 1394 裝置，如數位攝影機等
19.	S-video 輸出埠	連接 S-video 裝置，如有線電視，衛星電視或天線等
20.	色差端子	連接色差端子裝置，如錄放影機，機上盒或 DVD 等
21.	S/PDIF 埠 (選購)	連接數位音效裝置
22.	紅外線傳輸埠 x 2	連接 IR 排線，可用來控制無線鍵盤或機上盒等
23.	S/PDIF 埠 (RCA)	連接 RCA 訊號線
24.	影像輸出埠	連接 RCA 訊號線至電視

注意：

請用 TVConfig 軟體選擇電視訊號來源為 TV1 或 TV2。

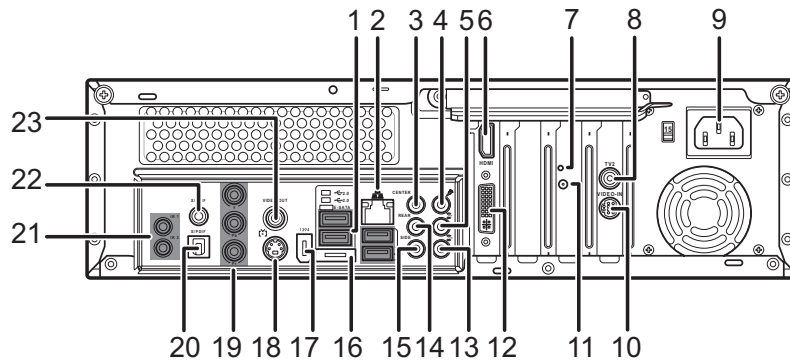
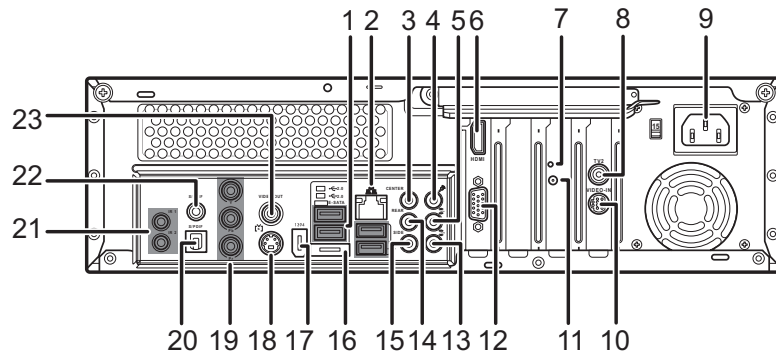
請使用本產品內的 TVConfig 功能來設定您的電視訊號來源。請點選桌面上的快捷徑圖示或從開始選單開啟 TVConfig 程式，然後在下拉式選單中選擇類比電視，FM 及 DVBT 頻道等各類訊號。



TVConfig

注意：TVConfig 功能僅 D22 機種提供。



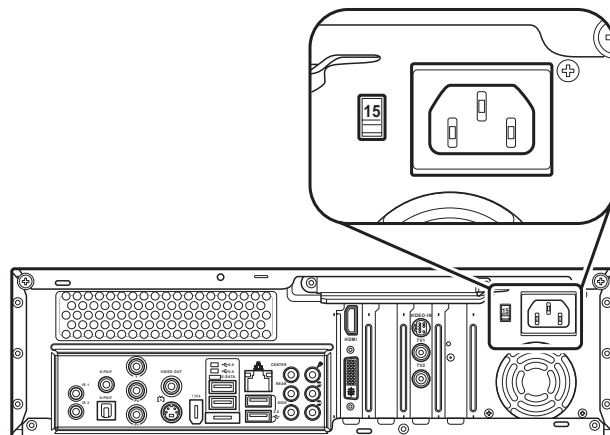


項次	功能	說明
1.	USB 埠 x 4	連接 USB 裝置 (如USB印表機, 數位相機, 掃描器等)
2.	網路埠	連接 10/100/1000 網路線
3.	中央類比音效輸出 (音效輸出)	連接音效裝置
4.	麥克風	連接麥克風, 可用來錄音等
5.	音效輸出	前置喇叭的音效輸出
6.	HDMI	連接 HDMI (High Definition Multimedia Interface) 介面裝置, 如液晶電視等
7.	LED 指示燈	無線網路指示燈
8.	TV 1	連接廣播的外接式天線或數位電視等
9.	TV 2	連接電視訊號線
10.	電源輸入	連接電源線

項次	功能	說明
11.	影像輸入	連接同軸纜線至視訊裝置，如有線電視，衛星電視或天線等
12.	無線網路天線接頭	連接無線網路天線
13.	VGA 埠	連接電視或顯示器
14.	音效輸入埠	連接類比音效裝置，如 CD 播放機
15.	後置喇叭接頭	連接後置喇叭
16.	側邊喇叭接頭	連接側邊喇叭（八聲道系統）
17.	外接 SATA 連接埠	連接外接式 SATA 裝置
18.	IEEE 1394 埠	連接 IEEE 1394 裝置，如數位攝影機等
19.	S-video 輸出埠	連接 S-video 裝置，如有線電視，衛星電視或天線等
20.	色差端子	連接色差端子裝置，如錄放影機，機上盒或 DVD 等
21.	S/PDIF 埠（選購）	連接數位音效裝置
22.	紅外線傳輸埠 x 2	連接 IR 排線，可用來控制無線鍵盤或機上盒等
23.	S/PDIF 埠 (RCA)	連接 RCA 訊號線
24.	影像輸出埠	連接 RCA 訊號線至電視。

注意：

- 以上連接埠功能將因您所購買的機種不同而有不同。
- 開啟電源之前請先確認您已設定至正確的電壓值。



連接設定

連接電視訊號

本產品具備 S-video 及電視同軸纜線接頭，可用來連接電視訊號。請選擇您的視訊裝置所支援之接頭型式：

- S-video 接頭

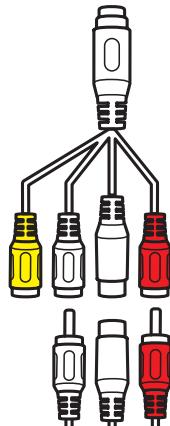
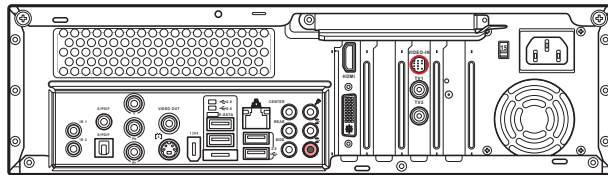
S-video 可提供高品質的影像訊號，當您連接 S-video 接頭時，您還需要連接 RCA 接頭以傳送聲音訊號。

- 電視同軸電纜接頭

若您連接電視同軸纜線接頭，則影像及聲音均透過同一條纜線來傳送，非常方便。

使用 S-video 連接電視訊號

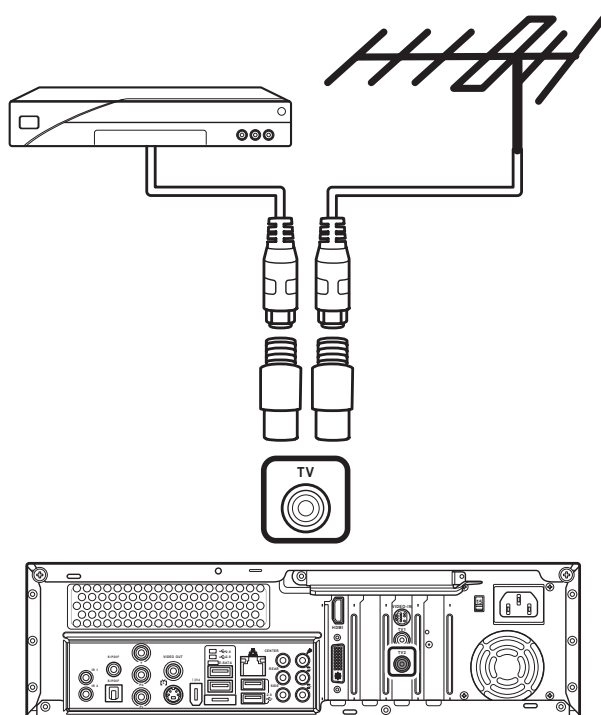
1. 連接影像訊號線至視訊裝置，如有線電視機上盒、衛星電視機上盒或其他視訊裝置等。另一端連接至本產品後端的 Video-in 接頭。您可使用 S-video 或黃色影像接頭來連接影像訊號。
2. 連接 RCA 紅白音效訊號線至 RCA 轉接頭。



注意：您必須連接 RCA 轉接頭至 RCA 訊號線。

連接 TV 訊號／同軸電纜

連接同軸電纜至視訊裝置，如一般電視訊號線、有線電視機上盒、衛星電視機上盒或小耳機天線等。請連接至本產品的 TV2 接頭。



透過本產品的 Asus TVConfig 軟體可以用來設定電視功能，請點選桌面上的捷徑圖示或由開始選單選取並開啟 Asus TVConfig 軟體。在下拉式選單中選擇裝置名稱，並分別勾選類比電視、FM 及 DVBT 頻道。

注意：TVConfig 功能僅提供 D22 機型。



連接電視訊號至現有裝置

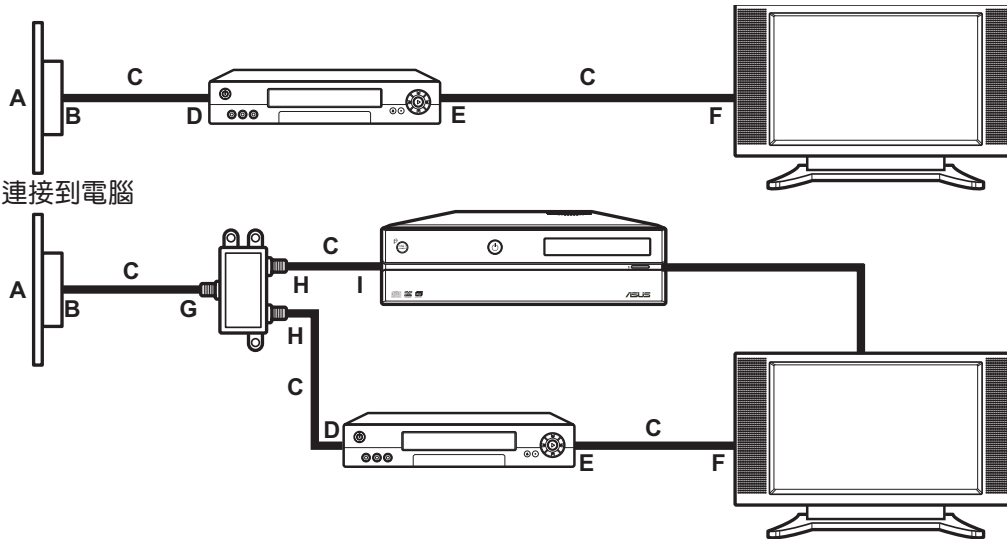
本節教您如何連接 Media Center PC 及電視訊號至現有的裝置。

方法一：使用同軸電纜從牆壁連接到 VCR 再接到電視

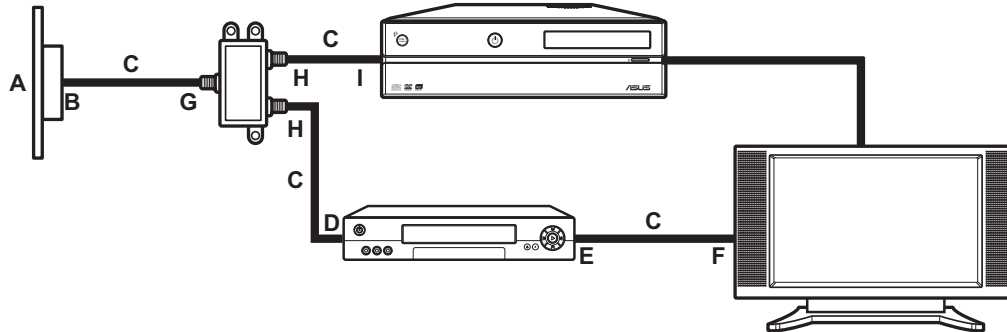
移除連接至 VCR 的同軸電纜，並連接到分配器的輸入端（分配器不包含在產品包裝中）。連接二條同軸電纜至分配器的輸出埠。

將其中一條纜線連接到VCR，另一條連接到 Media Center PC 後端的電視連接埠。

現有裝置的连接



連接到電腦



- A. 牆壁（訊號源）
- B. 纜線插頭
- C. 同軸電纜
- D. VCR 輸入埠
- E. VCR 輸出埠
- F. 電視輸入埠
- G. 分配器輸入埠
- H. 分配器輸出埠
- I. Media Center PC 後方的電視輸入埠

注意：分配器不包含
在本產品的配件中。

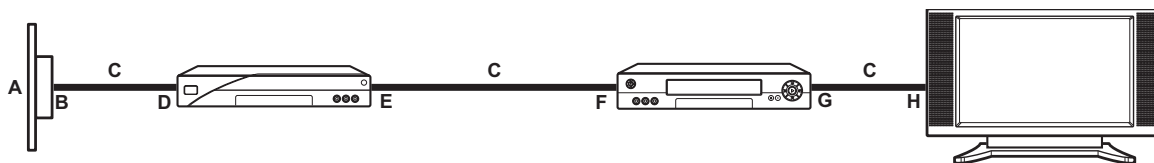
方法二：使用同軸電纜從牆壁連接到 Set-top-box，再連接 VCR 及電視

移除 VCR 輸入端的同軸電纜，並連接到分配器的輸入端（分配器不包含在產品包裝中）。連接二條同軸電纜至分配器的輸出埠。

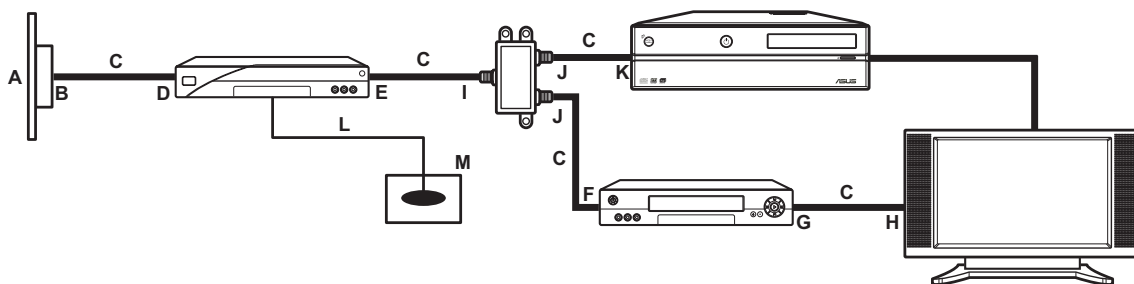
將其中一條纜線連接到VCR，另一條連接到 Media Center PC 後端的電視連接埠。

注意：原本連接 Set-top-box 至 VCR 的纜線要改接到分配器。

現有裝置的连接



連接到電腦



- A. 牆壁（訊號源）
- B. 纜線插頭
- C. 同軸電纜
- D. Set-top box/分配器輸入埠
- E. Set-top box/分配器輸出埠
- F. VCR 輸入埠
- G. VCR 輸出埠
- H. 電視輸入埠
- I. 分配器輸入埠
- J. 分配器輸出埠
- K. Media Center PC 後方的電視輸入埠
- L. 遙控器接收器訊號線
- M. 遙控器接收器

注意：分配器不包含在本產品的配件中。

以電視作為顯示螢幕

本產品的電視輸出功能，可讓您輸出電腦的影像至電視螢幕上。藉由電視輸出功能，您可在電視上觀看電腦中的影像、看 DVD 電影，或玩電腦遊戲等。

電視訊號線

若要連接本產品與電視，您必須連接一條視訊排線及一條音效排線。視訊排線的規格將視您的電視規格而定。

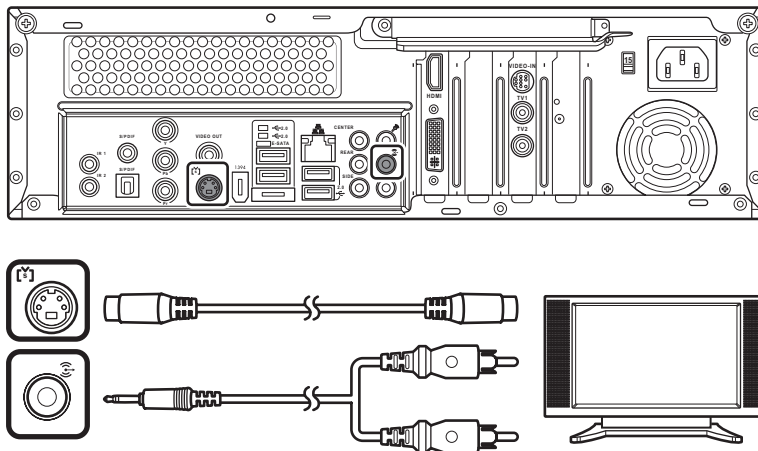
您也可以使用以下方法來連接本產品與電視：

- S-video 與立體聲音效
- 色差端子 (YPbPr) 與立體聲音效
- Video 與立體聲音效
- DVI 與立體聲音效
- HDMI
- SCART
- DVI/VGA 轉接器與立體聲音效

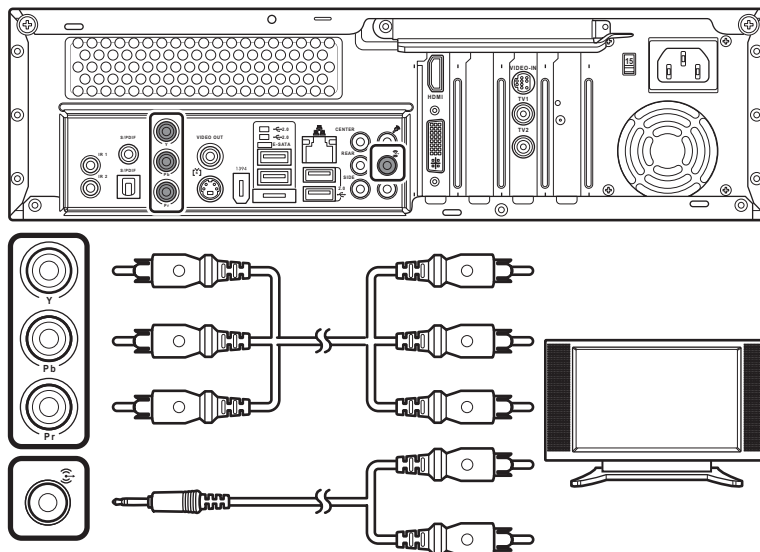
連接至電視

1. 關閉電腦電源。
2. 視您的電視接頭型式而定，您可採用以下的方式連接電視。

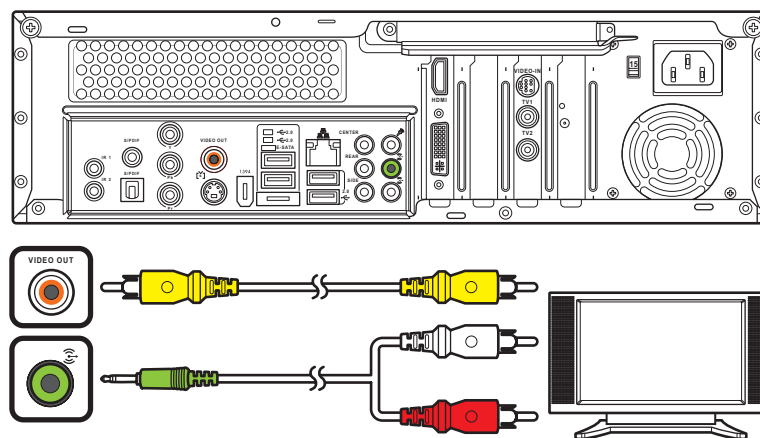
若您的電視具備 S-video 接頭，請連接電視的 S-video 輸入接頭，另一端連接至本產品的 S-video Out 接頭。



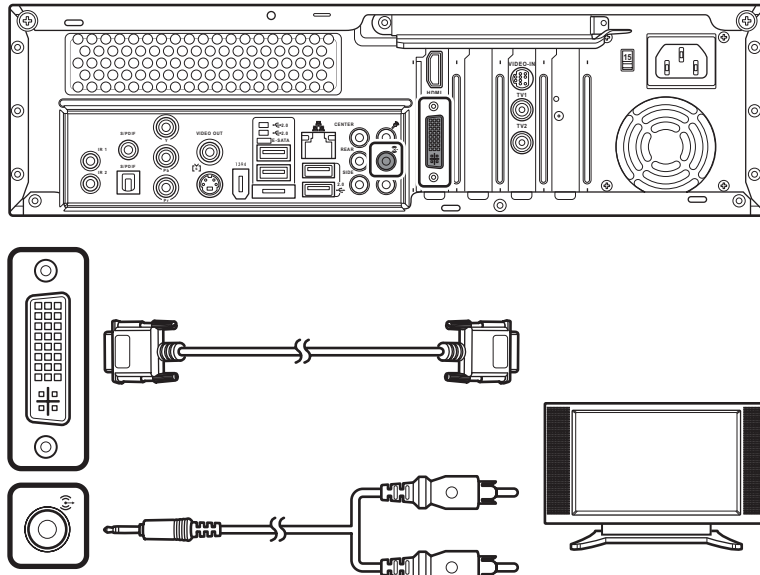
若您的電視具備色差端子輸入接頭，請連接電視的色差端子，另一端連接本產品的影像輸出接頭。



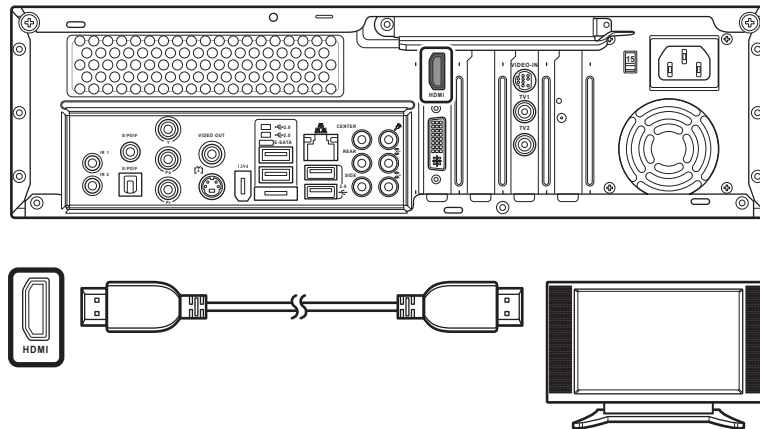
若您的電視具備影像輸入接頭，請連接電視的影像輸入接頭，另一端連接本產品的影像輸出接頭。



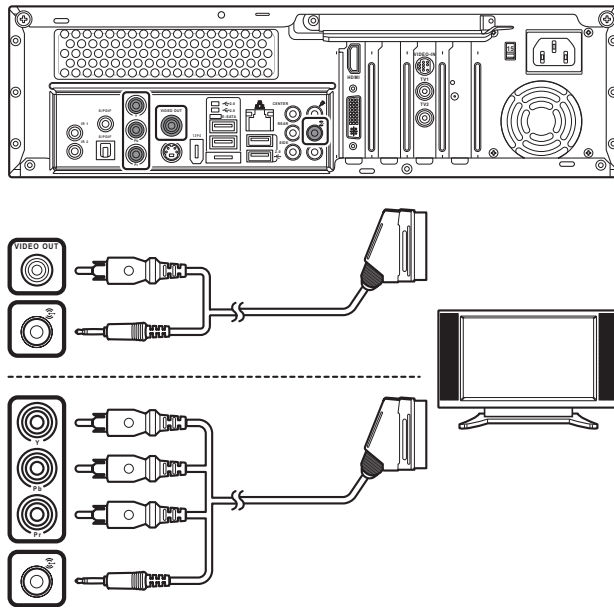
若您的電視具備 DVI 接頭，請連接電視的 DVI 接頭，另一端連接本產品的 DVI 接頭。



若您的電視具備 HDMI 接頭，請連接電視的 HDMI 接頭，另一端連接本產品的 HDMI 接頭。

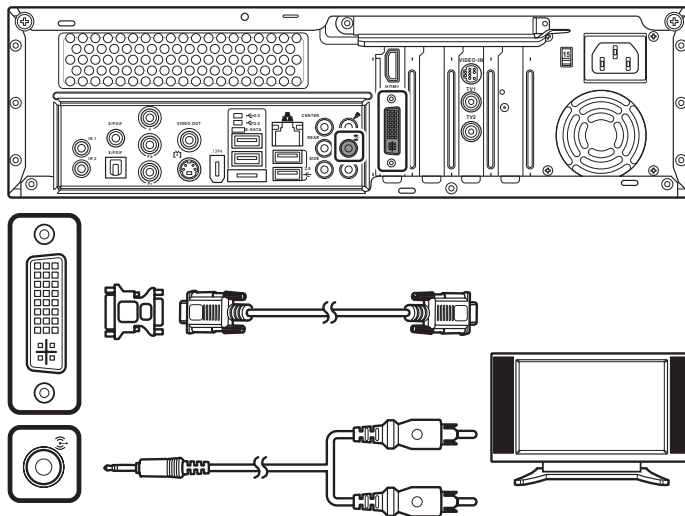


若您的電視具備 SCART 接頭，請連接 SCART/色差影像訊號線至電視的 SCART 接頭，另一端連接本產品的影像輸出及音效輸出（綠色）接頭。如下圖所示：



注意：本圖示僅供參考，部分連接線需另外購買，本產品並不提供。

若您的電視具備 VGA 接頭，請先安裝 VGA 轉接頭至本產品的 DVI 接頭（僅適用於 Asteio D22 機型），並連接 VGA 訊號線至電視。



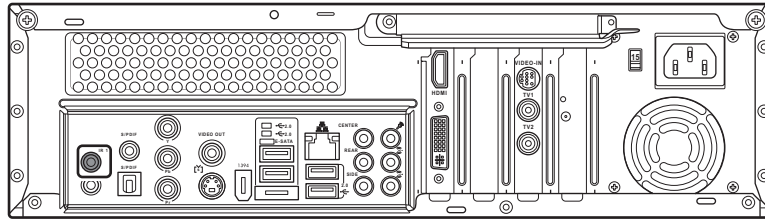
3. 開啟電視電源，視您的電視型號而定，選擇電視輸入訊號或電腦訊號。

注意：本產品的機殼上具備了通風孔，請注意不要擋到通風孔，以免造成散熱不良。

連接紅外線接收器至外接裝置

請依照以下說明連接紅外線接收器至外接裝置，如機上盒或顯示器等：

1. 連接紅外線接頭至 Media Center PC 後方的 IR 埠。
2. 另一端如下圖所示連接至機上盒。

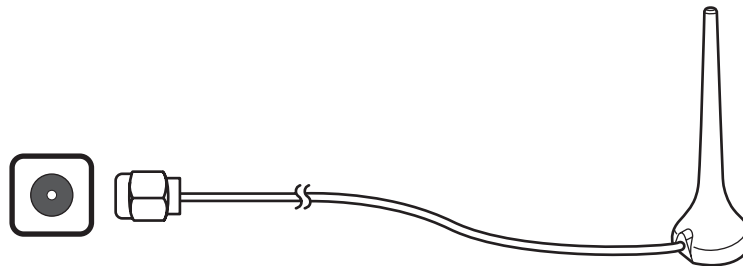
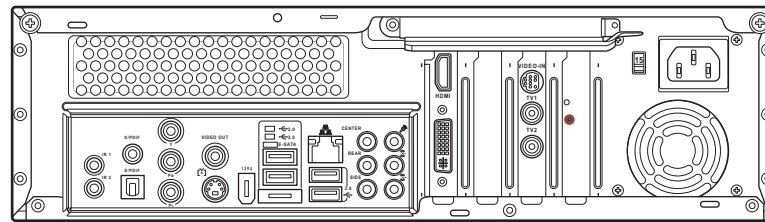


注意：本產品具備二個紅外線連接埠。

安裝無線網路天線

請依照以下說明安裝無線網路卡的外接式天線：

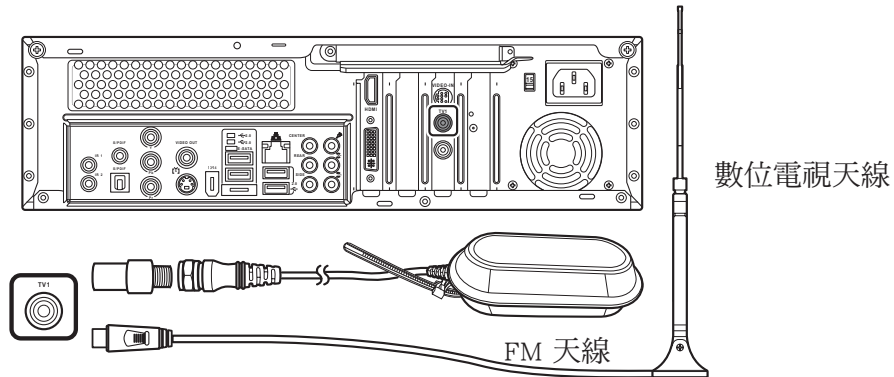
1. 請將無線網路天線連接至本產品後端的天線接頭。
2. 當接收到無線網路訊號時，無線網路指示燈會開始閃爍。



安裝數位電視／FM天線

請依照以下說明安裝數位電視／FM天線：

1. 將數位電視／FM天線上的 NTSC/PAL 變頻器鎖緊。
2. 連接數位電視／FM天線至本產品的 TV2 接頭。



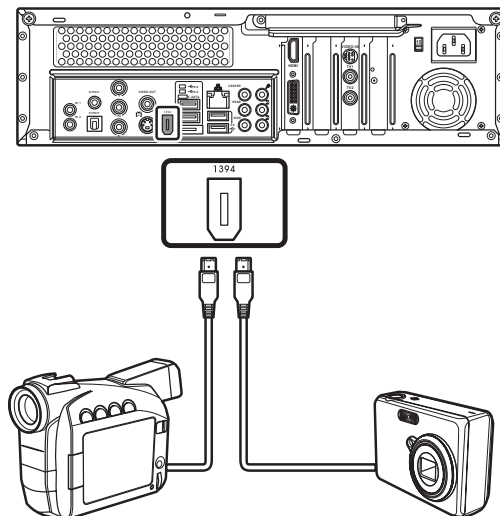
注意：

- 本圖示僅供參考，數位電視天線樣式有可能與本圖示不同。
- 數位電視/FM 天線的收訊情形有可能因所在位置不同而有不同。

連接攝影機／數位相機

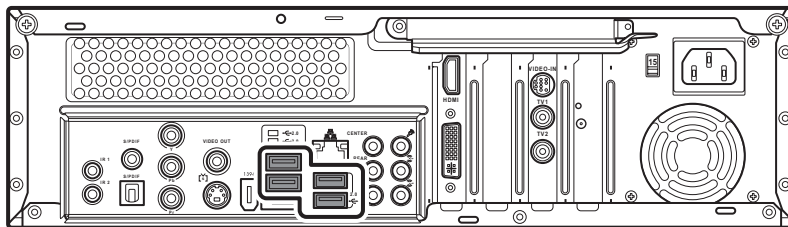
請依照以下說明連接攝影機／數位相機：

1. 開啟本產品電源，等待系統進入 Windows XP。
2. 連接訊號線至您的攝影機／數位相機，另一端連接至本產品的 USB 或 IEEE 1394 (FireWire) 埠。
3. 當螢幕出現找到新的硬體裝置時，請依照指示完成相關設定，即可開始使用此裝置。

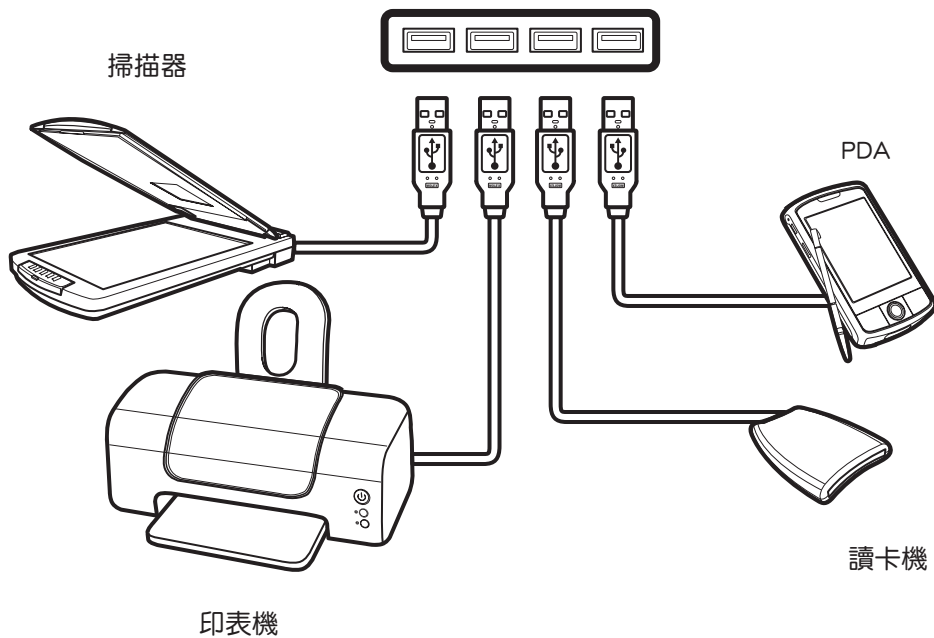


連接其他裝置

您可連接其他週邊裝置如印表機、掃描器，讀卡機及PDA等。



掃描器



PDA

讀卡機

印表機

音效及喇叭設定

本產品支援多種不同的音效連接及喇叭設定，你可以連接二個立體聲喇叭或多聲聲道喇叭。也可以連接家中原有的音響系統到電腦上，然後在音效軟體中進行相關的設定。

本產品後端面板具備六個音效接頭，可支援連接 7.1 環繞音效喇叭系統。

音效接頭型式	說明
	側邊環繞喇叭輸出 (灰色)：在八聲道 (7.1) 設定時連接側邊環繞喇叭
	中央聲道／重低音喇叭輸出 (橘色)：在多聲道設定時連接中央聲道／重低音喇叭
	後環繞喇叭輸出 (黑色)：在多聲道設定時連接後環繞喇叭
	音效輸出 (草綠色)：連接前置喇叭
	音效輸入 (淺藍色)：連接音效裝置，如 CD 播放機等
	麥克風輸入 (粉紅色)：連接麥克風

喇叭設定

請參考以下設定值來設定您的音效喇叭系統：

名稱	喇叭系統
耳機	無
2 (立體聲)	左側喇叭／右側喇叭
2.1	左側喇叭／右側喇叭／重低音喇叭
4.1	二個前置喇叭／二個後置喇叭／重低音喇叭
6/ 5.1	二個前置喇叭／二個後置喇叭／中央聲道／重低音喇叭
8/ 7.1	二個前置喇叭／二個後置喇叭／二個側邊喇叭／中央聲道／重低音喇叭
家用音響系統	家用立體聲喇叭或家庭劇院音效系統之被動喇叭

喇叭型式說明：

您的電腦僅能支援一組主動式喇叭系統，主動式喇叭必須具備本身的電源，家用音響因為有連接擴大機，所以不需使用主動式喇叭。

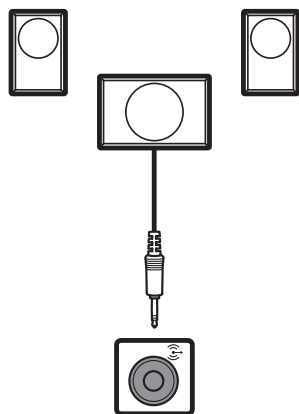
立體聲喇叭組是指左、右各一個喇叭。多聲道喇叭組包括左、右前置喇叭及左、右後置喇叭，且有可能還包括一個重低音喇叭及一個中央聲道喇叭。側邊喇叭包含在較進階的系統。重低音喇叭提供加強的重低音音效。

“1”是指重低音喇叭。例如 7.1 聲道請使用八聲道喇叭模式，並使用二個前置喇叭 (左-右), 二個後置喇叭 (左-右), 二個側邊喇叭，一個中央聲道及一個重低音喇叭。

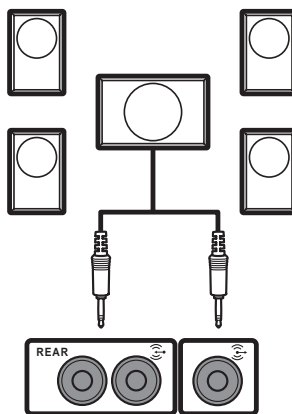
連接喇叭

請參考以下各種喇叭的型式，連接所需的喇叭至您的電腦，連接好之後請做好相關的設定。

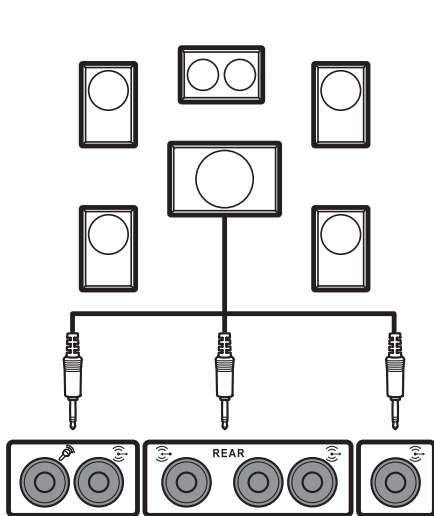
2 個喇叭



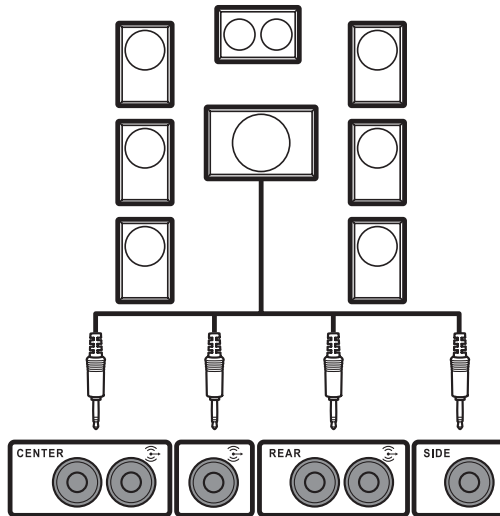
4 個喇叭



5 個喇叭及一個重低音



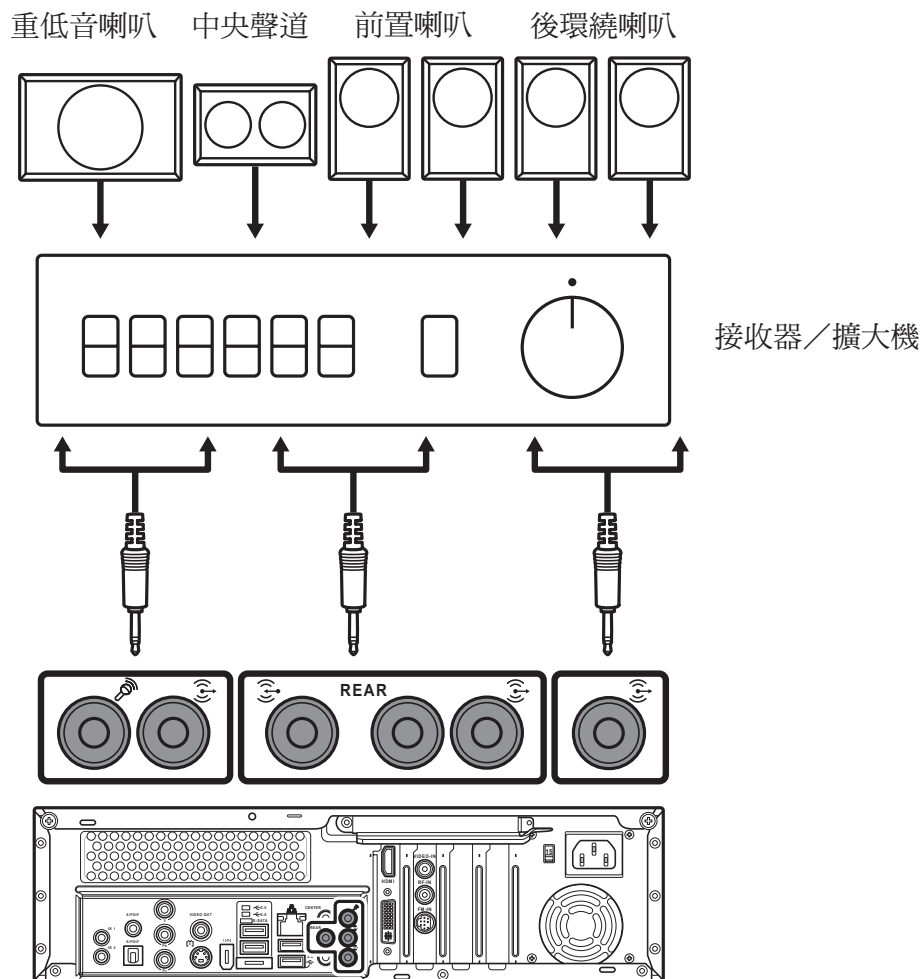
7 個喇叭及一個重低音



連接家用音響

您可以連接 Media Center PC 至您現有的家用音響或多聲道家庭劇院系統。

大部分的家用接收器／擴大機都具備 RCA 接頭，您可能需要使用 Y 型訊號線連接接收器／擴大機，並連接到您的 Media Center PC（選購）。



音效輸出設定


您可以使用 SoundMax 軟體或安裝在 Media Center PC 內的 Media Center 程式來設定喇叭的音效輸出。

使用 SoundMax Audio Wizard 設定音效

安裝好喇叭後，請依照以下步驟進行音效設定：







1. 按下 **開始** 鍵開啟開始選單。
2. 選擇 **所有程式**。
3. 選擇 SoundMAX 開啟程式控制面板。



4. 在 SoundMAX 控制面板點選音效設定精靈  圖示以進行音效設定。
5. 接著選擇您所連接的喇叭數量。
6. 在音量調整畫面中，您可以對每一個喇叭個別調整音量或是對所有喇叭一起調整。
7. 接著在麥克風音量調整畫面中，您可以按下 **麥克風測試** 來測試其音量大小。
8. 按下 **結束** 退出 SoundMax 音效設定精靈。

SoundMax 工作列圖示：

SoundMax 主畫面包含以下主要功能項目：

1.  音效設定精靈：點選以開啟音效設定精靈，並進行音效輸出設定。
2.  預設值：點選以將所有設定回復到預設值。
3.  偏好設定：點選以開啟偏號設定視窗，並依照您的需求進行調整。
4.  音量調整：點選以顯示／隱藏音量調整視窗。
5.  錄音設定：點選以顯示／隱藏錄音設定視窗。
6.  說明：點選以顯示說明視窗。

使用 Windows XP Media Center 進行音效設定

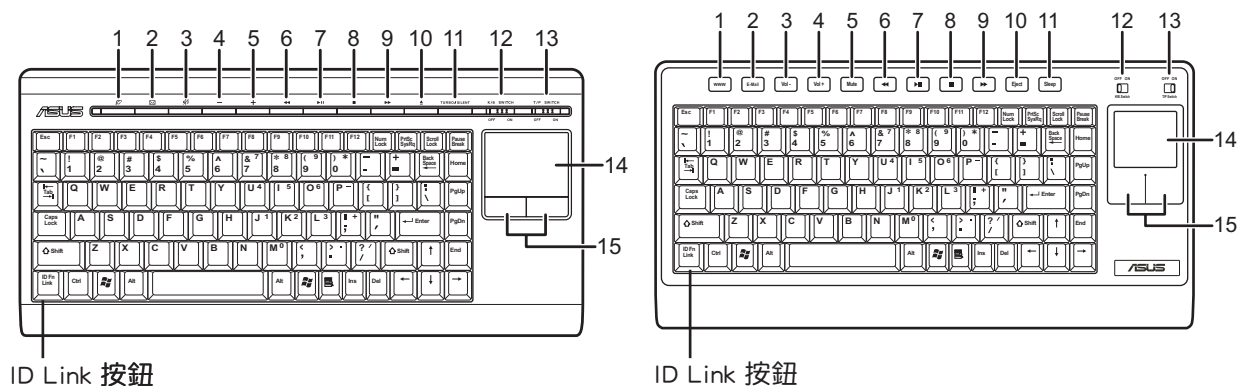
1. 在工作列上按下 **開始** 開啟開始選單。
2. 點選 **所有程式**。
3. 點選 **Media Center** 開啟此程式，即會進入 Windows XP Media Center 主畫面。
4. 在主畫面中選擇 **設定／一般／Media Center 設定**。
5. 選擇 **設定您的喇叭**，接著按下 **下一步**。
6. 選擇喇叭數目，然後按下 **下一步**。
7. 按下 **測試** 按鈕來測試您的設定。並選擇是否每個喇叭都發出測試音效，然後按下 **下一步**。
8. 按下 **完成** 完成喇叭設定。

硬體的使用

使用無線鍵盤

Media Center PC 所搭配的無線鍵盤具備內建的接收器與發送器。鍵盤右上角的燈號會顯示目前的接收狀態。

特殊鍵的使用



下表可以讓您快速瞭解各個特殊功能鍵的用途：

項次	功能	說明
1.	Internet	按下此鍵開啟網路瀏覽器
2.	E-mail	按下此鍵開啟 e-mail 瀏覽程式
3.	靜音	按下此鍵關閉聲音
4.	音量減小	按下此鍵減小音量
5.	音量增大	按下此鍵增大音量
6.	倒轉	按下此鍵將目前播放的媒體退回前一軌
7.	播放/暫停	按下此鍵以播放或暫停目前播放的媒體
8.	停止	按下此鍵以停止目前播放的媒體
9.	快轉	按下此鍵將目前播放的媒體往前跳一軌
10.	退片	按下此鍵退出光碟托盤
11.	效能/靜音模式	按下此鍵切換效能與靜音模式
12.	鍵盤電源開關	開啟或關閉鍵盤電源
13.	觸控板開關	開啟或關閉鍵盤觸控板的功能
14.	觸控板	可用手指在觸控板上移動以取代滑鼠功能
15.	觸控板左右鍵	即滑鼠的左右鍵功能

注意：以上的鍵盤圖示僅供參考，並不包含在產品配件中。

注意：

- 若您的 Media Center PC 偵測不到無線鍵盤的話，請按下鍵盤左上角的 **Connect** 鍵及左下角的 **ID Link** 鍵。
- Media Center PC 具備二種操作模式：

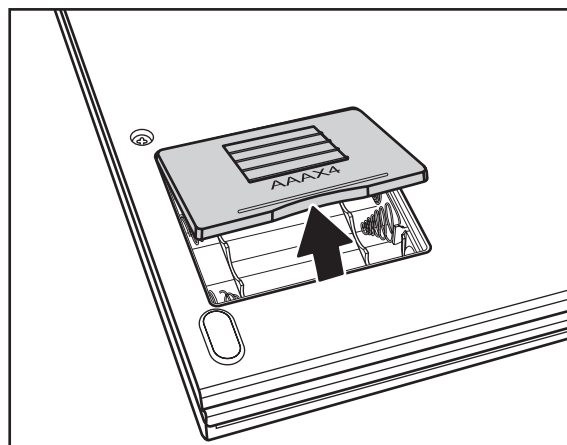
靜音模式 (Silent)：在靜音模式下，系統會自動減低 CD-ROM 的傳輸速率以及 CPU 和 GPU 的執行速率。在此模式下使用者可以擁有安靜的操作環境且不影響執行的效能。此為預設模式。

效能模式 (Turbo)：在效能模式下，系統會自動提高 CD-ROM 的傳輸速率以及 CPU 和 GPU 的執行速率。通常在需要高執行效率的工作時，比如玩 3D 電腦遊戲或執行多工的多媒體檔案時會採用此一模式。

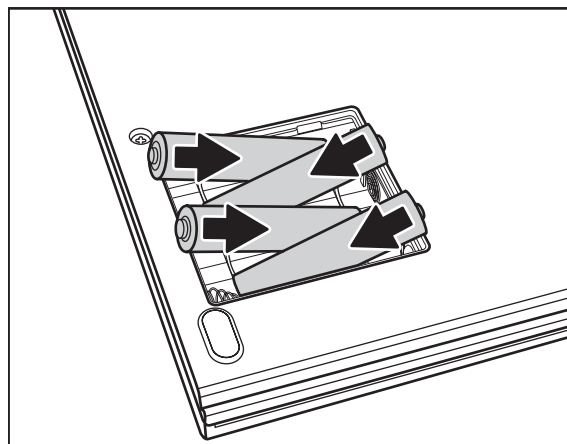
- 無線鍵盤具備省電模式，當無線鍵盤閒置超過三分鐘時即會進入省電模式，此時請按下任意鍵 (包含觸控板及左/右按鍵) 回復到一般模式。(省電模式的耗電量只有一般模式的1.88%)

安裝鍵盤電池

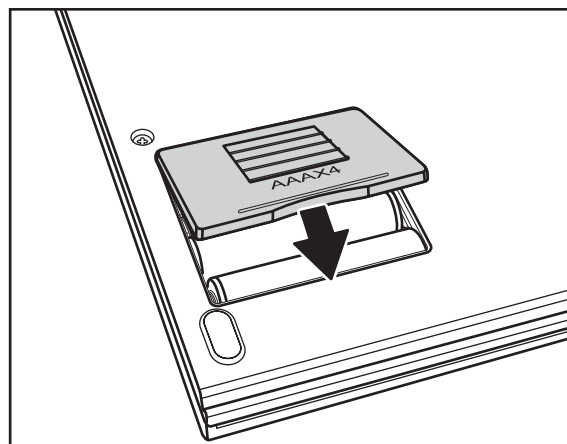
1. 打開鍵盤背面的電池蓋。



2. 將電池依標示方向裝入電池插槽內。



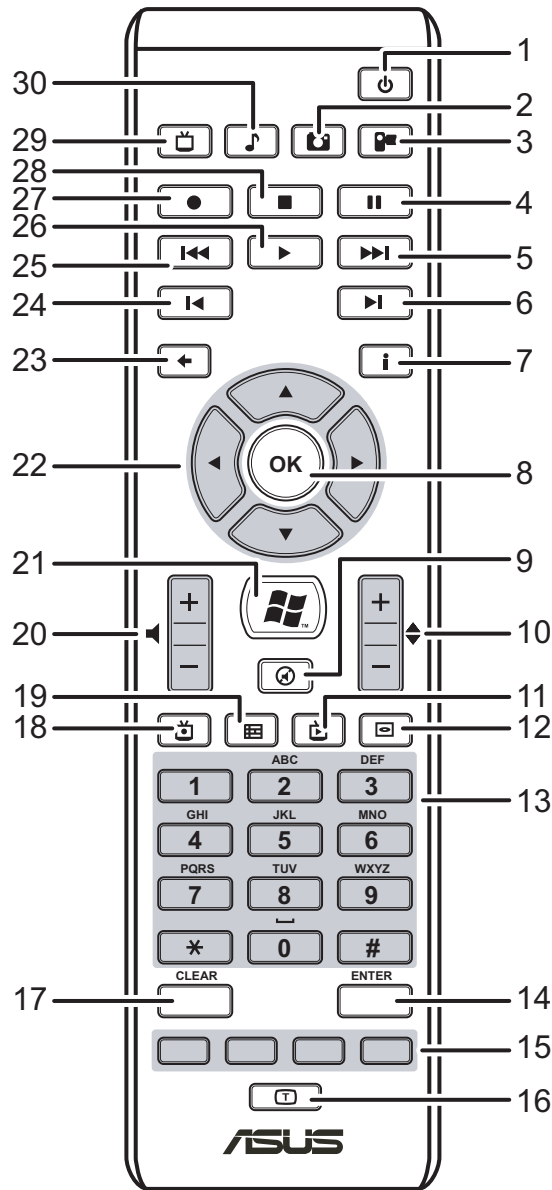
3. 蓋上電池蓋。



使用遙控器

您可以使用遙控器開啟 Windows XP Media Center 程式，並用來觀賞電視，錄電視節目，觀賞錄製的節目，還可以聽音樂，看電影等等。

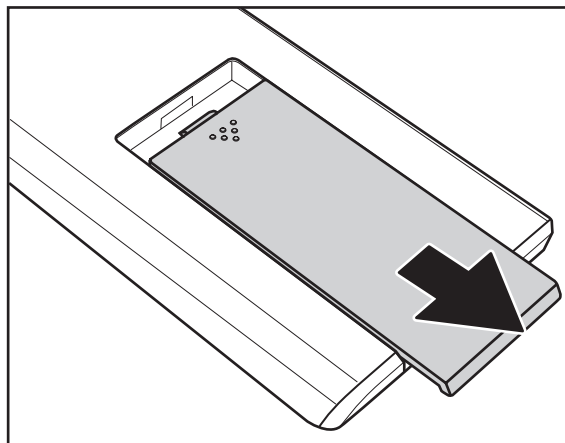
請參考以下的遙控器圖示及功能列表以瞭解詳細的使用方式。



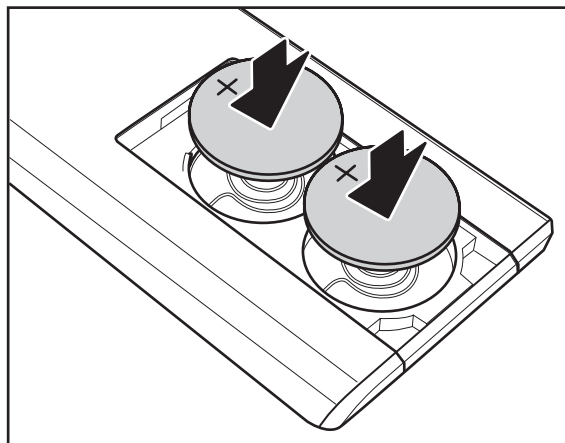
項目	功能	說明
1.	電源	關閉螢幕及喇叭電源 (離開模式)
2.	我的圖片	進入照片瀏覽模式
3.	我的視訊	進入視訊播放模式
4.	暫停	暫停播放
5.	快轉	快轉目前播放的多媒體檔案
6.	下一軌	跳到下一軌
7.	資訊	顯示相關資訊
8.	確認鍵	確認欲執行的功能
9.	靜音	關閉聲音
10.	頻道切換	在電視模式下可切換頻道
11.	Live TV	進入電視模式
12.	DVD	進入 DVD 模式
13.	數字鍵	可直接輸入頻道的號碼
14.	輸入鍵	確認您的選擇
15.	電視文字廣播鍵	僅適用於歐洲機種
16.	文字切換鍵	切換數字及英文輸入模式
17.	清除	清除已輸入的資訊
18.	錄製電視節目	開始錄製目前的電視節目
19.	電子節目表單EPG (Electronic Program Guide)	開啟電子節目表單
20.	音量調整鍵	增大或減小音量
21.	Windows Media Center	開啟 Media Center 程式
22.	方向鍵	用來操作選單
23.	返回	返回至前一頁
24.	上一軌	倒退至前一軌
25.	倒轉	倒轉目前播放的多媒體檔案
26.	播放	開始播放
27.	錄影	開始錄製
28.	停止	停止播放
29.	我的電視	進入電視模式
30.	我的音樂	進入音樂模式

安裝遙控器電池

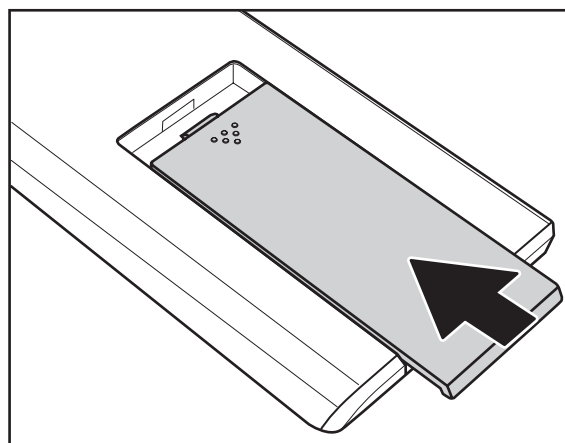
1. 移除遙控器的電池外蓋。



2. 裝入電池，注意正負極的位置。



3. 裝回電池外蓋。



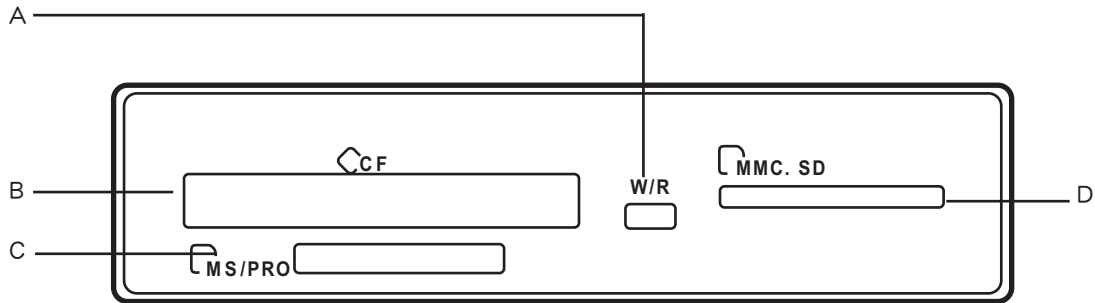
使用讀卡機

目前有許多數位裝置如數位相機等都使用記憶卡作為儲存的媒介，本產品內建了讀卡機可提供使用者方便地存取記憶卡中的檔案。

您可以同時插入不同的記憶卡至讀卡機的多個插槽之中，在 **我的電腦** 中可以清楚看到各個插槽所標示的名稱，您可以很容易地區別。

以下圖示詳細說明了各個記憶卡插槽所支援的記憶卡種類及規格。

記憶卡插槽說明



項目	名稱	說明
A	LED 指示燈	當記憶卡在讀寫狀態時會亮紅燈
B	CF 插槽	支援 MD, CF Type I/II
C	MS/MS PRO 插槽	支援 MS/MS-Pro, MS duo, MS pro duo
D	MMC/SD 插槽	支援 SD, mini SD (透過轉接卡可支援 Micro SD), MMC, MMC4.x, RS MMC, RSMC4.x (透過轉接卡可支援 MMC mobile)

請依照以下的步驟及說明來使用讀卡機：

1. 將記憶卡小心地插入正確的插槽並推至最底部。
2. 電腦會自動跳出一個詢問視窗，您可以在視窗中選擇一個程式來執行記憶卡中的檔案。您也可以選擇將檔案備份到電腦硬碟中。

或者

若電腦並未自動跳出詢問視窗時，您可以選擇開始／我的電腦，並點選記憶卡所在的資料夾即可看到記憶卡中的資料。

3. 當您完成存取記憶卡資料時，請在該資料夾上按一下滑鼠右鍵，並選擇 退出 即可。

當記憶卡存取指示燈熄滅時即可取出該記憶卡。

注意：

記憶卡存取指示燈仍在閃動時請勿取出記憶卡，否則可能造成資料遺失或記憶卡損壞。



“DTS CONNECT”，“DTS INTERACTIVE”及“DTS NEO:PC”是 DTS, Inc. 的商標




“DTS”是 DTS, Inc. 的註冊商標



開始使用 Windows XP Media Center

您可以使用無線鍵盤／滑鼠及遙控器輕鬆操控您的 Windows XP Media Center。

請使用以下二種方式來開啟 Windows XP Media Center：

- 從開始選擇啟動 Windows XP Media Center：
 - 按下 **開始**，並在開始選單中選擇 **Media Center**。
- 使用遙控器開啟 Windows XP Media Center：
 - 按下遙控器的 **Media Center**  按鈕。

我的電視

透過 **我的電視** 功能，您可以輕鬆體驗看電視的各種樂趣，除了可以收看即時的電視節目之外，還可以隨心所欲地錄製喜歡的電視節目，以及瀏覽電視的各項資訊等。

觀看電視節目

1. 在遙控器上按下電視按鈕，會出現前一次收看的頻道。
2. 按下頻道切換鈕選擇想要收看的頻道。

錄製電視節目

1. 使用頻道切換鈕或數字鍵選擇至想要錄製的節目。
2. 按下遙控器的錄影按鈕即可開始錄製。

播放錄製的電視節目

我的電視 所提供的錄製節目功能會自動將電視節目錄製到資料緩衝區，當您暫停播放即時節目時，它會繼續錄製節目，長度最高至三十分鐘，當您回到坐位時，按下播放鍵即可從您離開的地方開始繼續播放。

1. 按下 **暫停／停止** 鈕以暫停／停止即時節目並開始錄製節目至緩衝區。
2. 按下 **播放** 鈕即可從您離開的地方開始繼續播放。

注意：

- 透過寬頻方式隨時隨在遠端存取即時電視的功能將視其個別地區的訊號設定而有不同。
- 光碟內的軟體之版權規原公司所有，華碩不提供軟體更新或其他問題解決等服務。

我的音樂

我的音樂 讓您享受完整的音樂饗宴，包含聆聽音樂 CD，建立自己的播放列表等等。

增加音樂CD至媒體櫃

1. 按下 **開始**，並在開始選單選擇 Windows Media Player。
2. 置入音樂 CD 至光碟機中。
3. 選擇 **新增到媒體櫃／搜尋電腦**，按 **瀏覽** 選擇光碟機，然後按 **確定**。
4. 接著按下 **搜尋** 即會開始將音樂檔案複製到硬碟中。

播放音樂

1. 按下搖控器的 **我的音樂** 按鈕以開啟 **我的音樂**。
2. 您可以選擇以專輯、演出者、播放清單、歌曲、內容類型等方式來選擇想要聽的音樂，或按 **搜尋** 去找到您要的歌曲。

我的圖片

我的圖片功能可以讓您方便地享受數位影像的各種樂趣。您可以一張一張瀏覽您的照片檔案或用投影片方式自動播放並搭配背景音樂。

瀏覽照片

1. 按下搖控器的 **我的圖片** 按鈕以開啟 **我的圖片**，畫面上會顯示電腦中的照片資料夾。
2. 用方向鍵選擇想要瀏覽的照片資料夾，然後按下 **確認** 鍵，打開資料夾。
3. 選擇想要瀏覽的視訊檔案並按下 **確認** 鍵開始播放。

您可以在左側的選單中選擇 **播放投影片**，即可將該資料夾內的所有照片以全螢幕方式自動播放。

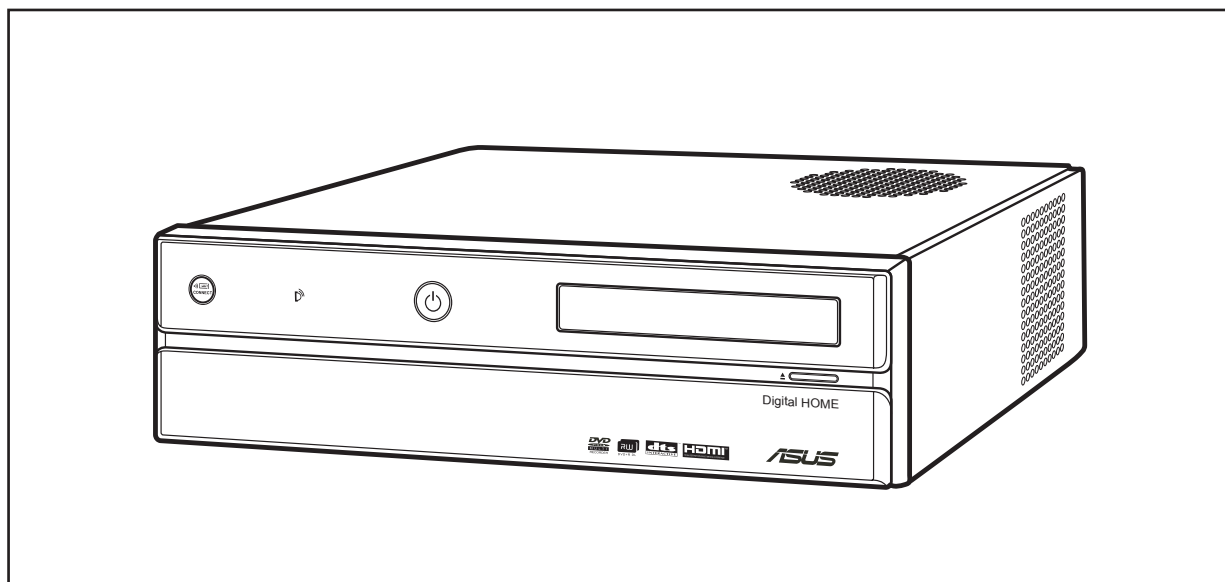
我的視訊

我的視訊功能可以讓您方便地享受數位影像的各種樂趣。您可以觀看並分享您的視訊檔案，並且可以方便地用名稱及日期來做搜尋。

播放影像檔案

1. 按下搖控器的 **我的視訊** 按鈕以開啟 **我的視訊**，畫面上會顯示電腦中的視訊檔案夾。
2. 用方向鍵選擇想要瀏覽的視訊檔案夾，然後按下 **確認** 鍵，打開資料夾。
3. 選擇想要瀏覽的視訊檔案並按下 **確認** 鍵開始播放。

ASUS[®]



简体中文

ASUS Asteio

数码影音中心

型号：D22 / D20

用户手册

简体中文

ASUS[®]
www.asus.com

给用户的说明

感谢您购买华硕 ASTEIO 数码影音中心，请您务必详阅本用户手册的说明，并请妥善保存，以备日后有需要时作为使用上的参考。

关于本用户手册

本产品的所有部分，包括配件与软件等，其所有权归华硕电脑公司（以下简称华硕）所有，未经华硕公司许可，不得任意地仿制、拷贝、摘抄或转译。本用户手册没有任何型式的担保、立场表达或其它暗示。若有任何因本用户手册或其所提到之产品的所有信息，所引起直接或间接的资料流失、利益损失或事业终止，华硕及其所属员工恕不为其担负任何责任。除此之外，本用户手册所提到的产品规格及信息仅供参考，内容亦会随时更新，恕不另行通知。本用户手册的所有部分，包括硬件及软件，若有任何错误，华硕没有义务为其担负任何责任。

当下列两种情况发生时，本产品将不再受到华硕公司之保修及服务：

- (1) 该产品曾经非华硕授权之维修、规格更改、零件替换。
- (2) 产品序号模糊不清或丧失。

用户手册中所谈论到的产品名称仅做识别之用，而这些名称可能是属于其他公司的注册商标或是版权。

产品规格或驱动程序改变，用户手册都会随之更新。更新的详细说明请您到华硕的互联网浏览或是直接与华硕公司联络。（联络资料请见下一页）

版权所有· 不得翻印 ©2006 华硕电脑

产品名称：ASUS ASTEIO D22/D20 数码影音中心

用户手册版本：First Edition V1

出版日期：2006 年 11 月

安全注意事项

- 避免在灰尘飞扬或是环境脏乱的场所使用本产品（灰尘容易引起系统故障）。
- 请勿将本产品放在重心不稳的物品上。
- 请勿放置重物在本产品上。
- 避免将本产品放置在磁性物质附近（譬如喇叭及电视等）；并请勿将软盘放置在产品前面及上方，以避免电磁效应造成软盘资料流失。
- 请勿将本产品放置在阳光直接照射的地方。
- 请勿将本产品放置在过冷（5°C或是41°F以下）或过热（35°C或是95°F以上）的环境中，如此可能导致无法正常开机运作。
- 避免产品及其配件淋到水或是暴露在湿气当中。
- 使用本产品时，务必保持散热孔畅通，以利散热。请避免在过于柔软不平的表面（床上）或垫有软质桌垫的桌面上使用，以防止散热孔堵塞。
- 使用前，请检查各项外围设备是否都已经连接妥当再开机。
- 避免边吃东西边使用电脑，以免污染机件造成故障。
- 请勿将任何物品塞入电脑机件内，以避免引起机件短路，或是电路损毁。
- 在安装或是去除不支持热插拔的外围设备时请先关闭电源。
- 清洁电脑前请先关机，并移开电源适配器及内部电池。
- 保持机器在干燥的环境下使用，雨水、湿气、液体等含有矿物质将会腐蚀电子线路。
- 不可丢弃电脑及其相关组件，应将电脑放在稳定的桌面，并且放在小孩拿不到的地方。
- 请勿试图拆开机器内部，非本公司授权之维修工程师自行拆开机器可能会造成机器故障，并将丧失保修权益。
- 为降低火灾风险，请只使用AWG 26号或更粗的通信电话线。
- 请避免在雷电天气下使用调制解调器（modem），否则可能会遭到闪电的远距电击。
- 请避免在泄漏的可燃气体附近使用调制解调器（modem）。
- 当开启隐藏或可见的雷射光源时（如：光驱或SPDIF等产品），请避免眼睛直视。

目录

概观.....	1
主要功能.....	1
从这里开始.....	2
基本设置.....	2
产品各部分功能简介.....	3
前面板.....	3
后面板.....	4
连接设置.....	8
连接电视信号.....	8
连接电视信号至现有设备.....	10
以电视作为显示屏.....	12
电视信号线.....	12
连接至电视.....	12
连接红外线接收器至外接设备.....	16
安装无线网络天线.....	16
安装数字电视/FM天线.....	17
连接录像机/数码相机.....	17
连接其他设备.....	18
音频及喇叭设置.....	19
喇叭设置.....	20
连接喇叭.....	21
连接家用音响.....	22
音频输出设置.....	23
使用 SoundMax Audio Wizard 设置音频.....	23
使用 Windows XP Media Center 运行音频设置.....	24
硬件的使用.....	25
使用无线键盘.....	25
特殊键的使用.....	25
安装键盘电池.....	27
使用摇控器.....	28
安装摇控器电池.....	30

使用读卡器	31
存储卡插槽说明	31
开始使用 Windows XP Media Center	33
我的电视	33
观看电视节目	33
录制电视节目	33
播放录制的电视节目	33
增加音乐CD至媒体柜	34
播放音乐	34
我的图片	34
浏览照片	34
我的音乐	34
我的视频	35
播放影像资料	35

概观

华硕 Asteio 数码影音中心具备超强的性能与丰富的视听娱乐功能。您可以在全屏幕画面下享受 Windows XP Media center 的强大功能，若需要使用其他的应用程序，也可以在 Windows XP Media center 下自行安装所需的软件。您也可以利用随机附赠的摇控器，在远端无线摇控各项家庭娱乐功能，举凡收看电视、录制电视节目，播放影片及音乐，以及浏览照片等功能。此外，您也可以通过连接无线鼠标及键盘来操作 Windows XP Media center 的各项功能及其他应用程序。

主要功能

- 视听娱乐功能
 - 收看及录制电视节目
 - 播放 DVD 影片及家庭视频影片
 - 听音乐
 - 相片浏览及编辑功能
- 连结能力
 - 视频会议及视频电话（需另购 Skype 电话或网络录像机）
- 支持长距离之无线摇控功能（无线键盘最远可达十公尺）
- 具备 13 合 1 读卡器（MD、CF type I & II、MS、MS-Pro、MS-Duo、MS- Pro Duo、SD、Mini SD、MM、MMC4.x、RS MMC、RSMMC4.x）资料传输功能

从这里开始

基本设置

在开始设置您的 Media Center PC 之前，请花几分钟时间确认以下连接状态是否正确无误。

- **互联网连线**

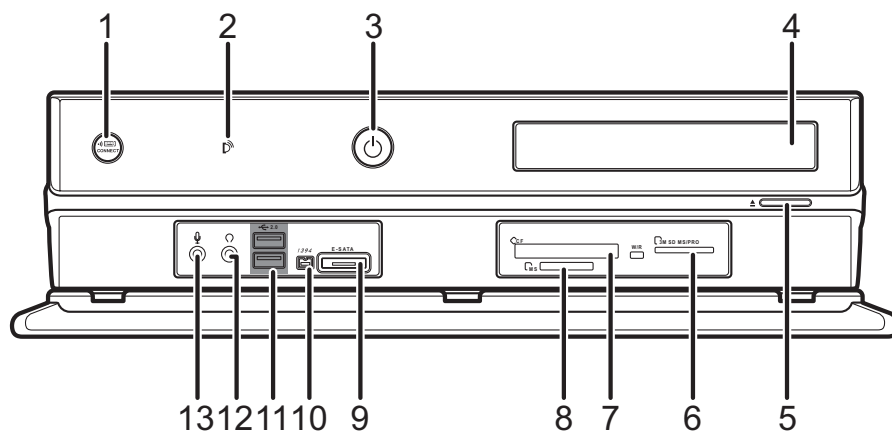
您的电脑必须连接互联网才能使用并更新电子节目表单（EPG；Electronic Program Guide），以及存取各项互联网资源。在开始运行Windows XP Media Center软件设置之前请再次确认您已通过拨接方式或 ADSL 等宽带线路连接上 Internet。若有任何连线上的问题请与您的网络服务供应商联系。

- **视频来源设备**

在开始运行Windows XP Media Center软件设置之前请再次确认您已连接视频来源设备。您可以通过同轴或 S-Video 信号线来连接视频设备。一般视频的信号来源包括天线、有线电视、电视盒／机上盒（set-top boxes）、卫星接收器等。

产品各部分功能简介

前面板

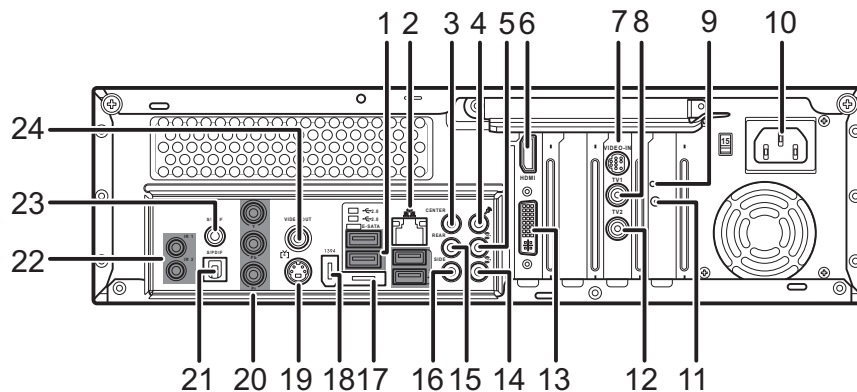


项次	功能	说明
1	ID 连结接收器	用来运行无线键盘的连结设置
2	红外线接收端	接收摇控器的信号
3	电源按钮	开启或关闭电脑电源
4	光盘刻录器	可用来听CD，安装光盘程序，看DVD及烧录资料等
5	光驱退出钮	按下此钮退出光盘拖盘
6	SD/MMC Pro 读卡器	通过读卡器可将其他数码设备的资料存储至本设备
7	CompactFlash / MicroDrive 读卡器	通过读卡器可将其他数码设备的资料存储至本设备
8	MS 读卡器	通过读卡器可将其他数码设备的资料存储至本设备
9	外接 SATA 接口	可连接外接的 SATA 接口设备
10	IEEE 1394 接口	连接 IEEE 1394 设备如 DV 录像机等
11	二组USB 接口	连接 USB 设备如 USB 打印机, 数码相机, 扫描仪及键盘等
12	耳机	可连接耳机或喇叭
13	麦克风	可连接外接式麦克风

简体中文

后面板

Asteio D22



简体中文

项次	功能	说明
1.	四组 USB 接口	连接 USB 设备 (如USB打印机, 数码相机,扫描仪等)
2.	网络接口	连接 10/100/1000 网络线
3.	中央类比音频输出 (音频输出)	连接音频设备
4.	麦克风	连接麦克风, 可用来录音等
5.	音频输出	前置喇叭的音频输出
6.	HDMI	连接 HDMI (High Definition Multimedia Interface)接口设备, 如液晶电视等
7.	影像输入接口	连接同轴缆线至视频设备, 如有线电视, 卫星电视或天线等
8.	TV 1	连接广播的外接式天线或数字电视等
9.	LED 指示灯	无线网络指示灯
10.	电源输入接口	连接电源线
11.	无线网络天线接头	连接无线网络天线
12.	TV 2	连接类比电视信号线
13.	DVI 接口	连接电视或显示器
14.	声音输入接头	连接类比音频设备, 如 CD 播放机等

项次	功能	说明
15.	后置喇叭接头	连接后置喇叭
16.	侧边喇叭接头	连接侧边喇叭（八声道系统）
17.	外接 SATA 接口	连接外接式 SATA 设备
18.	IEEE 1394 接口	连接 IEEE 1394 设备，如数码录像机等
19.	S-video 输出接口	连接 S-video 设备，如有线电视，卫星电视或天线等
20.	色差端子	连接色差端子设备，如录放影机，机上盒或 DVD 等
21.	S/PDIF 接口 (选购)	连接数码音频设备
22.	红外线传输接口 x 2	连接 IR 排线，可用来控制无线键盘或机上盒等
23.	S/PDIF 接口 (RCA)	连接 RCA 信号线
24.	影像输出接口	连接 RCA 信号线至电视

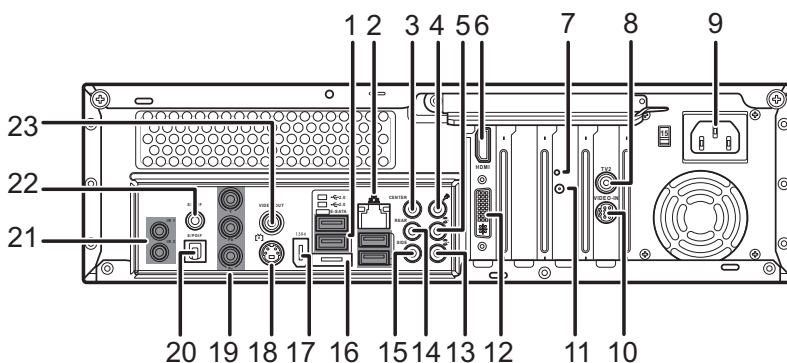
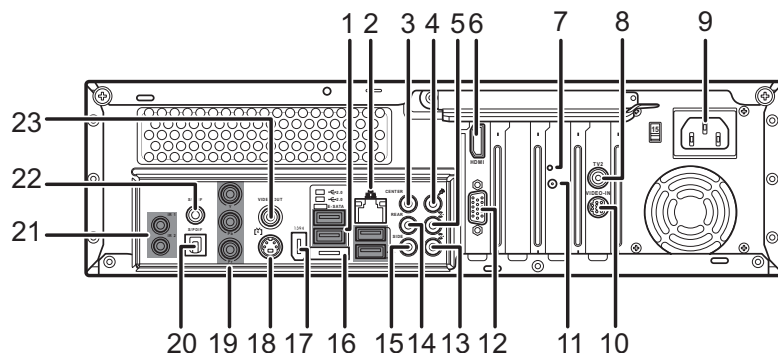
注意：

请用 TVConfig 软件选择电视信号来源为 TV1 或 TV2。

请使用本产品内的 TVConfig 功能来设置您的电视信号来源。请点击桌面上的快捷图标或从开始菜单开启 TVConfig 程序，然后在下拉式菜单中选择类比电视，FM 及 DVBT 频道等各类信号。



注意：TVConfig 功能仅 D22 機種提供。

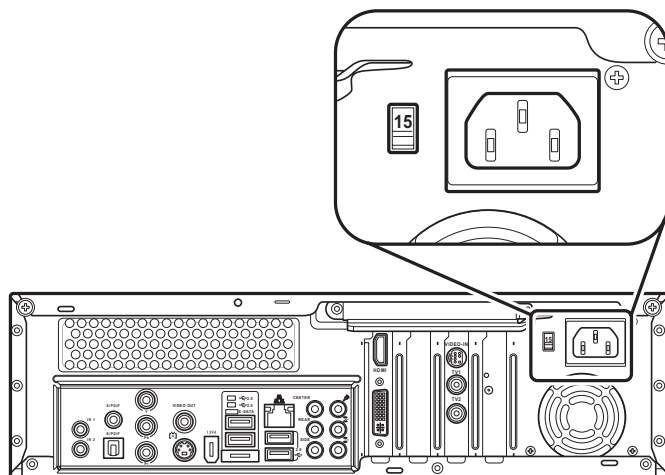


项次	功能	说明
1.	USB 接口 x 4	连接 USB 设备 (如USB打印机, 数码相机,扫描仪等)
2.	网络接口	连接 10/100/1000 网络线
3.	中央类比音频输出 (音频输出)	连接音频设备
4.	麦克风	连接麦克风, 可用来录音等
5.	音频输出	前置喇叭的音频输出
6.	HDMI	连接 HDMI (High Definition Multimedia Interface)接口设备, 如液晶电视等
7.	LED 指示灯	无线网络指示灯
8.	TV 1	连接广播的外接式天线或数字电视等
9.	TV 2	连接电视信号线

项次	功能	说明
10.	电源输入	连接电源线
11.	影像输入	连接同轴缆线至视频设备，如有线电视，卫星电视或天线等
12.	无线网络天线接头	连接无线网络天线
13.	VGA 接口	连接电视或显示器
14.	音频输入接口	连接类比音频设备，如 CD 播放机
15.	后置喇叭接头	连接后置喇叭
16.	侧边喇叭接头	连接侧边喇叭（八声道系统）
17.	外接 SATA 接口	连接外接式 SATA 设备
18.	IEEE 1394 接口	连接 IEEE 1394 设备，如数码录像机等
19.	S-video 输出接口	连接 S-video 设备，如有线电视，卫星电视或天线等
20.	色差端子	连接色差端子设备，如录放影机，机上盒或 DVD 等
21.	S/PDIF 接口 (选购)	连接数码音频设备
22.	红外线传输接口 x 2	连接 IR 排线，可用来控制无线键盘或机上盒等
23.	S/PDIF 接口 (RCA)	连接 RCA 信号线

注意：

- 以上接口功能将因您所购买的机种不同而有不同。
- 开启电源之前请先确认您已设置至正确的电压值。



连接设置

连接电视信号

本产品具备 S-video 及电视同轴缆线接头，可用来连接电视信号。请选择您的视频设备所支持之接头型式：

- S-video 接头

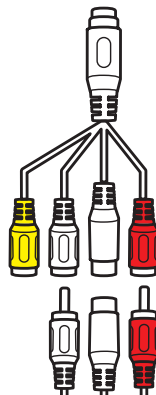
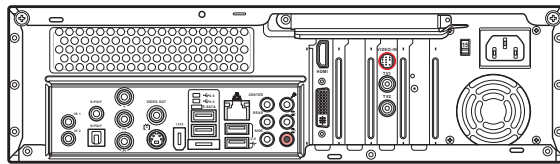
S-video 可提供高质量的影像信号，当您连接 S-video 接头时，您还需要连接 RCA 接头以传送声音信号。

- 电视同轴电缆接头

若您连接电视同轴缆线接头，则影像及声音均通过同一条缆线来传送，非常方便。

使用 S-video 连接电视信号

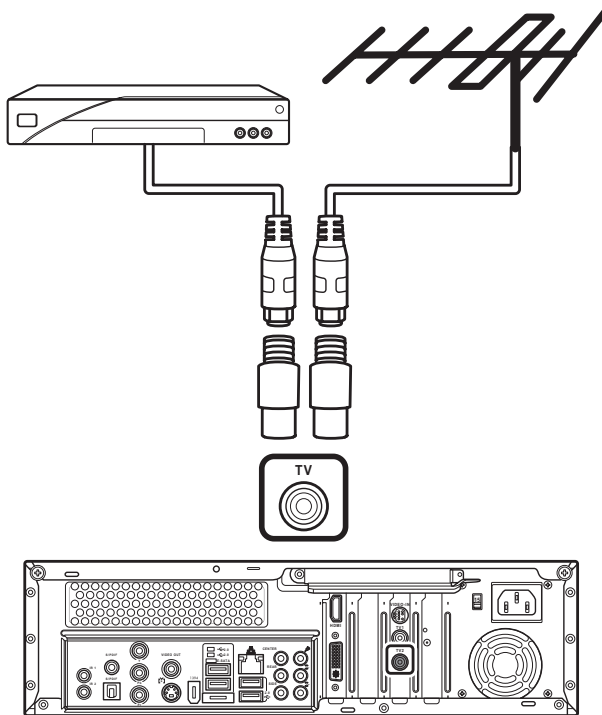
1. 连接影像信号线至视频设备，如有线电视机上盒、卫星电视机上盒或其他视频设备等。另一端连接至本产品后端的 Video-in 接头。您可使用 S-video 或黄色影像接头来连接影像信号。
2. 连接 RCA 红白音频信号线至 RCA 转接头。



注意：您必须连接 RCA 转接头至 RCA 信号线。

连接 TV 信号 / 同轴电缆

连接同轴电缆至视频设备，如一般电视信号线、有线电视机上盒、卫星电视机上盒或小耳机天线等。请连接至本产品的 TV2 接头。



通过本产品的 Asus TVConfig 软件可以用来设置电视功能，请点击桌面上的捷径图标或由开始菜单选取并开启 Asus TVConfig 软件。在下拉式菜单中选择设备名称，并分别勾选类比电视、FM 及 DVBT 频道。

注意：TVConfig 功能仅提供 D22 机型。



连接电视信号至现有设备

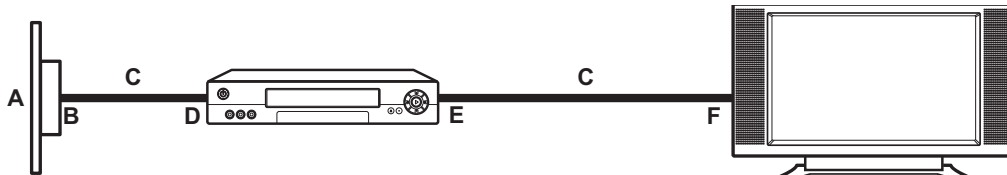
本节教您如何连接 Media Center PC 及电视信号至现有的设备。

方法一：使用同轴电缆从信号来源连接到 VCR 再接到电视

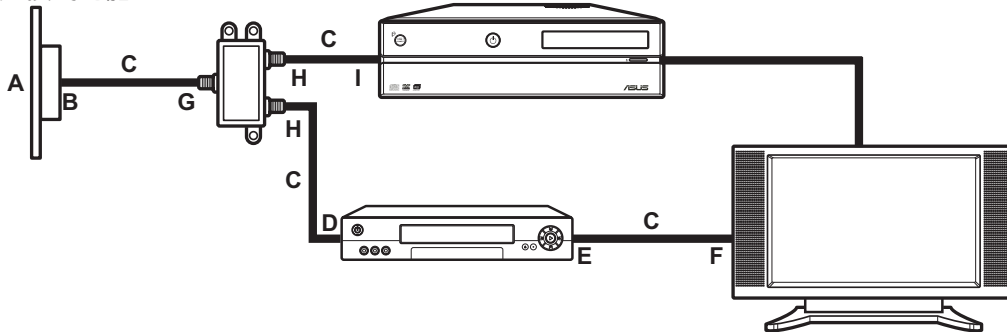
去除连接至 VCR 的同轴电缆，并连接到分配器的输入端（分配器不包含在产品包装中）。连接二条同轴电缆至分配器的输出接口。

将其中一条缆线连接到VCR，另一条连接到 Media Center PC 后端的电视接口。

现有设备的连接



连接到电脑



- A. 墙壁（信号源）
- B. 缆线插头
- C. 同轴电缆
- D. VCR 输入接口
- E. VCR 输出接口
- F. 电视输入接口
- G. 分配器输入接口
- H. 分配器输出接口
- I. 主机后方的电视输入接口

注意：分配器不包含在本产品的配件中。

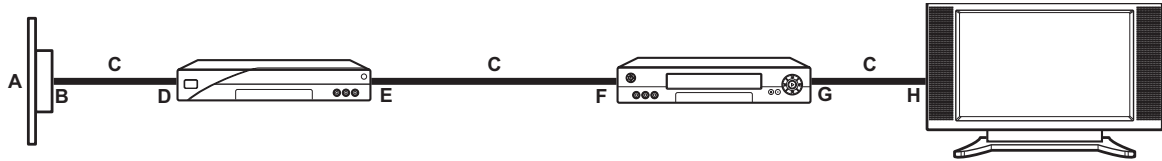
方法二：使用同轴电缆从信号来源连接到 Set-top-box，再连接 VCR 及电视

去除 VCR 输入端的同轴电缆，并连接到分配器的输入端（分配器不包含在产品包装中）。连接二条同轴电缆至分配器的输出接口。

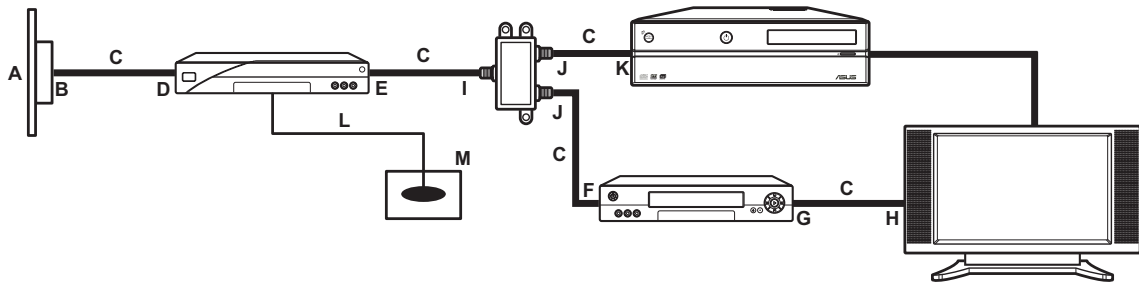
将其中一条缆线连接到VCR，另一条连接到 Media Center PC 后端的电视接口。

注意：原本连接 Set-top-box 至 VCR 的缆线要改接到分配器。

现有设备的连接



连接到电脑



- A. 墙壁（信号源）
- B. 缆线插头
- C. 同轴电缆
- D. Set-top box/分配器输入接口
- E. Set-top box/分配器输出接口
- F. VCR 输入接口
- G. VCR 输出接口
- H. 电视输入接口
- I. 分配器输入接口
- J. 分配器输出接口
- K. 主机后方的电视输入接口
- L. 摇控器接收器信号线
- M. 摇控器接收器

注意：分配器不包含
在本产品的配件中。

以电视作为显示屏

本产品的电视输出功能，可让您输出电脑的影像至电视屏幕上。借由电视输出功能，您可在电视上观看电脑中的影像、看 DVD 电影，或玩电脑游戏等。

电视信号线

若要连接本产品与电视，您必须连接一条视频排线及一条音频排线。视频排线的规格将视您的电视规格而定。

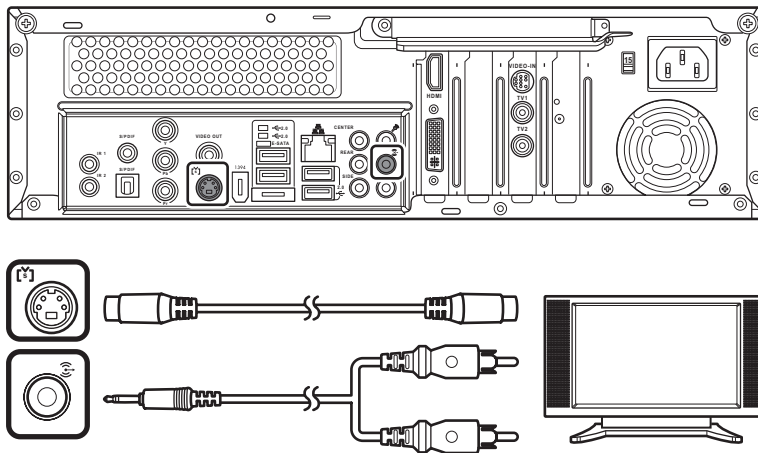
您也可以使用以下方法来连接本产品与电视：

- S-video 与立体声音频
- 色差端子 (YPbPr) 与立体声音频
- Video 与立体声音频
- DVI 与立体声音频
- HDMI
- SCART
- DVI/VGA 转接器与立体声音频

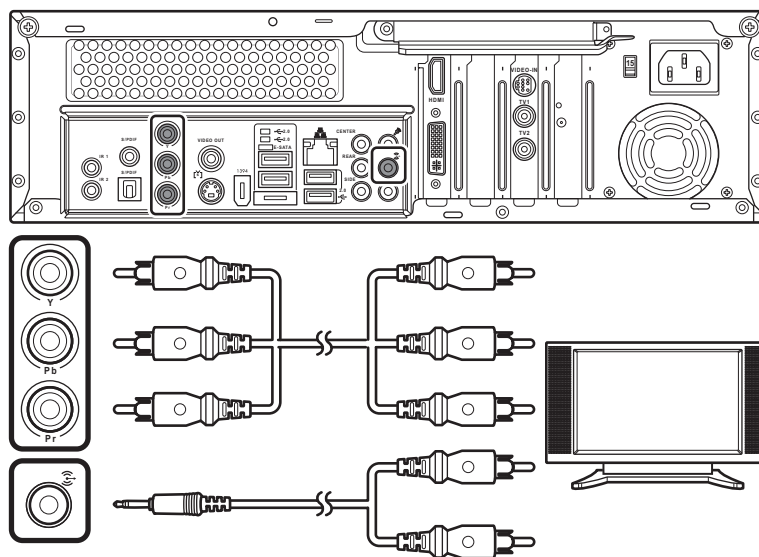
连接至电视

1. 关闭电脑电源。
2. 视您的电视接头型式而定，您可采用以下的方式连接电视。

若您的电视具备 S-video 接头，请连接电视的 S-video 输入接头，另一端连接至本产品的 S-video Out 接头。

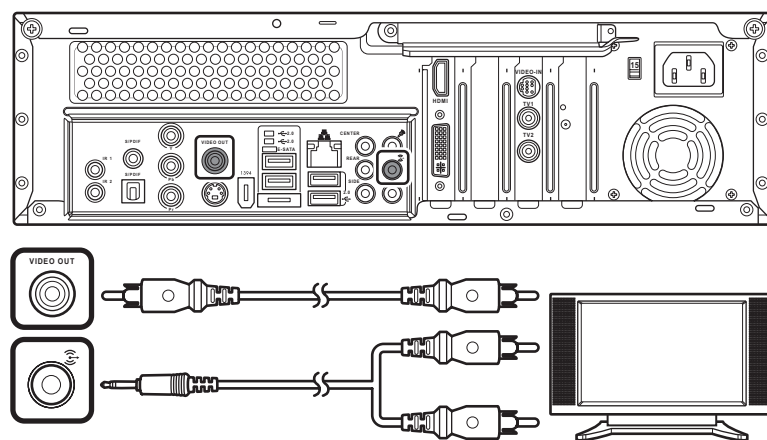


若您的电视具备色差端子输入接头，请连接电视的色差端子，另一端连接本产品的影像输出接头。

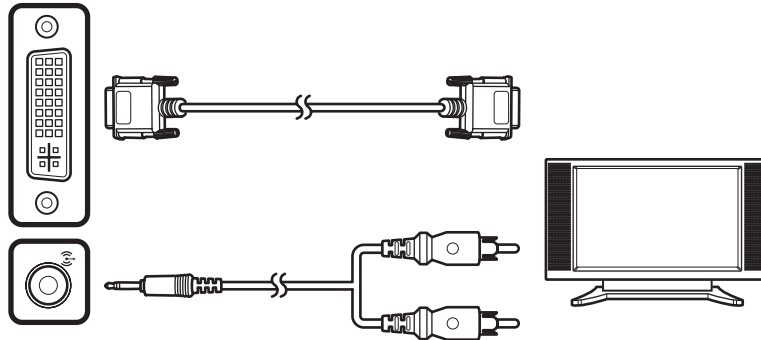
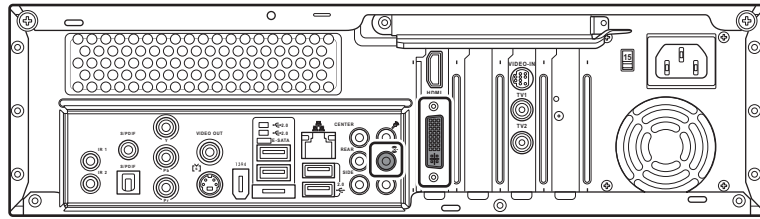


简体中文

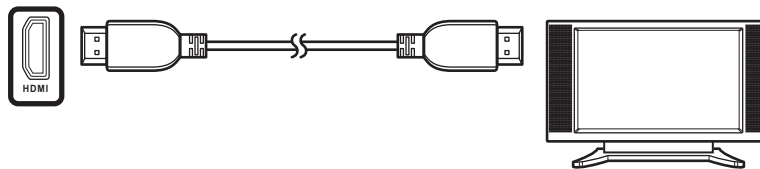
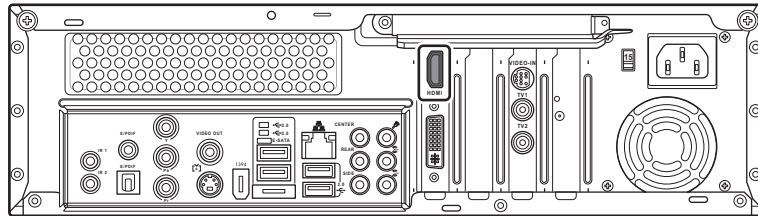
若您的电视具备影像输入接头，请连接电视的影像输入接头，另一端连接本产品的影像输出接头。



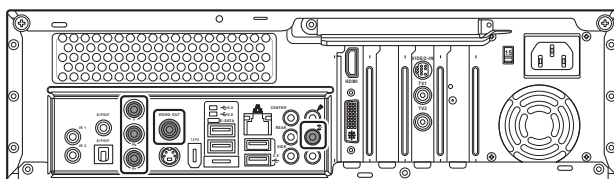
若您的电视具备 DVI 接头，请连接电视的 DVI 接头，另一端连接本产品的 DVI 接头。



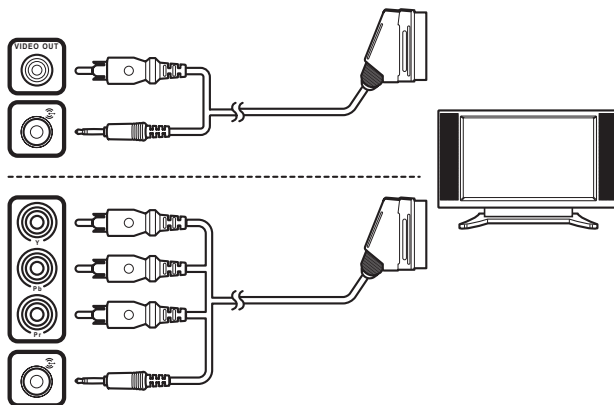
若您的电视具备 HDMI 接头，请连接电视的 HDMI 接头，另一端连接本产品的 HDMI 接头。



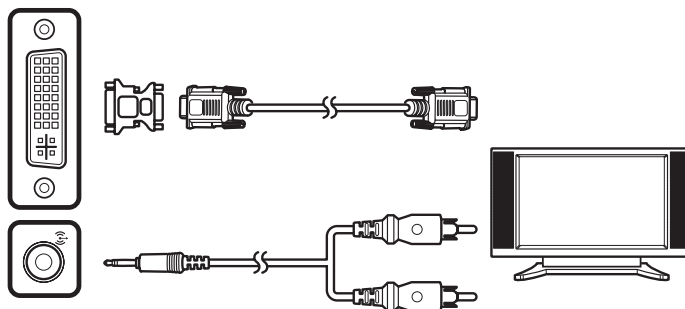
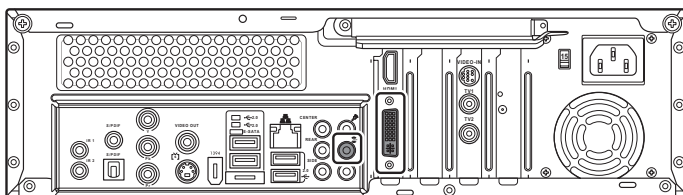
若您的电视具备 SCART 接头，请连接 SCART/色差影像信号线至电视的 SCART 接头，另一端连接本产品的影像输出及音频输出（绿色）接头。如下图所示：



注意：本图标仅供参考，部分连接线需另外购买，本产品并不提供。



若您的电视具备 VGA 接头，请先安装 VGA 转接头至本产品的 DVI 接头（仅适用于 Asteio D22 机型），并连接 VGA 信号线至电视。



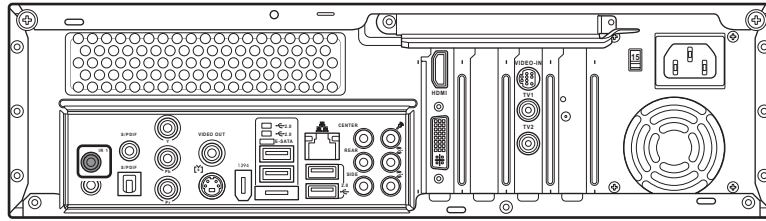
3. 开启电视电源，视您的电视型号而定，选择电视输入信号或电脑信号。

注意：本产品的机箱上具备了通风孔，请注意不要档到通风孔，以免造成散热不良。

连接红外线接收器至外接设备

请依照以下说明连接红外线接收器至外接设备，如机上盒或显示器等：

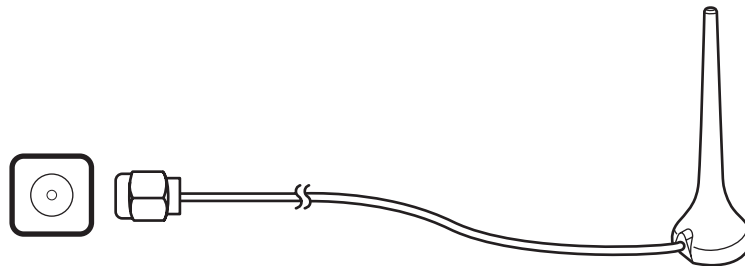
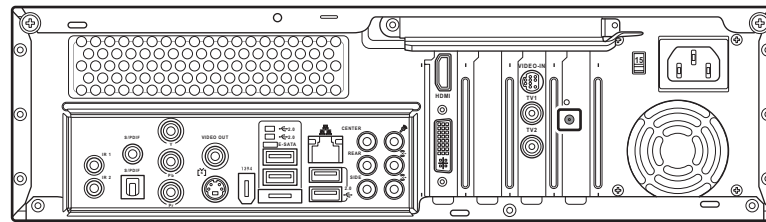
1. 连接红外线接头至 Media Center PC 后方的 IR 接口。
2. 另一端如下图所示连接至机上盒。



注意：本产品具备二个红外线接口。

请依照以下说明安装无线网络卡的外接式天线：

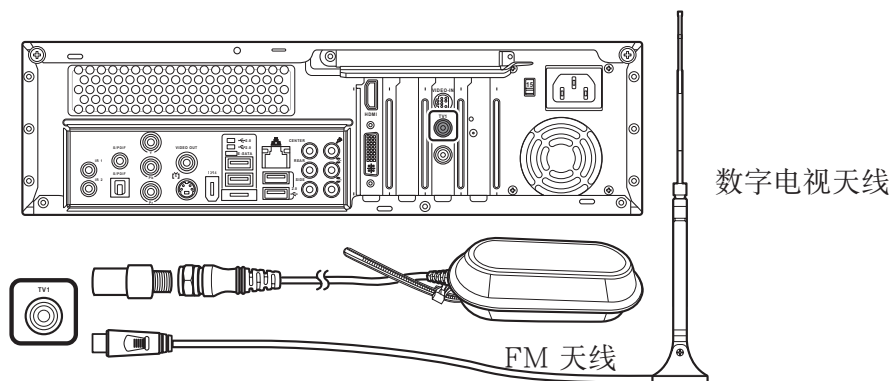
1. 请将无线网络天线连接至本产品后端的无线接口。
2. 当接收到无线网络信号时，无线网络指示灯会开始闪烁。



安装数字电视/FM天线

请依照以下说明安装数字电视/FM天线：

1. 将数字电视/FM天线上的 NTSC/PAL 变频器锁紧。
2. 连接数字电视/FM天线至本产品的 TV2 接头。



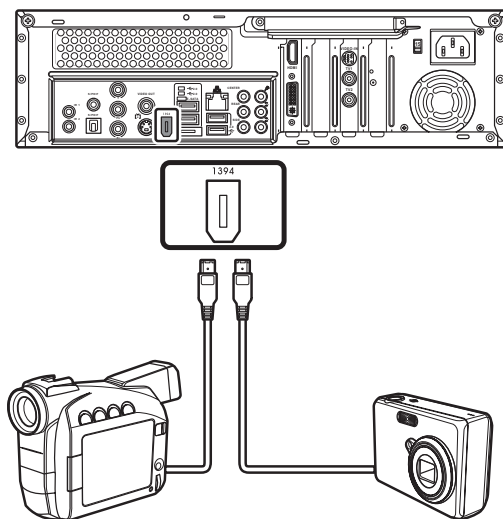
注意：

- 本图标仅供参考，数字电视天线样式有可能与本图标不同。
- 数字电视/FM 天线的收讯情形有可能因所在位置不同而有不同。

连接录像机/数码相机

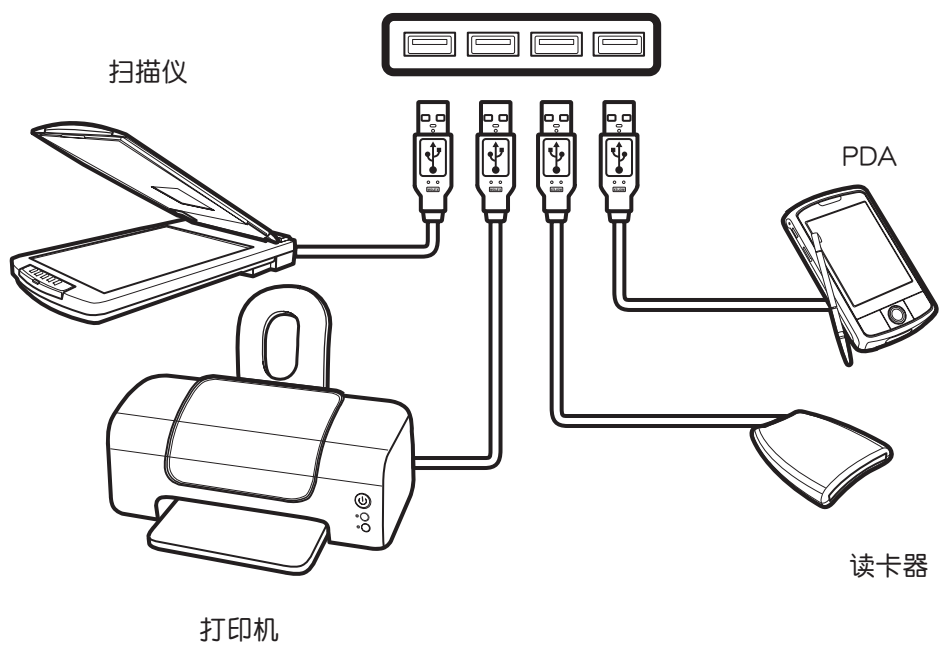
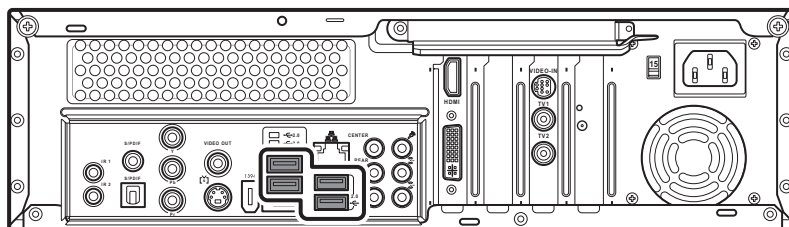
请依照以下说明连接录像机/数码相机：

1. 开启本产品电源，等待系统进入 Windows XP。
2. 连接信号线至您的录像机/数码相机，另一端连接至本产品的 USB 或 IEEE 1394 (FireWire) 接口。
3. 当屏幕出现找到新的硬件设备时，请依照指示完成相关设置，即可开始使用此设备。



连接其他设备







您可连接其他外围设备如打印机、扫描仪、读卡器及PDA等。



音频及喇叭设置

本产品支持多种不同的音频连接及喇叭设置，你可以连接二个立体声喇叭或多声道喇叭。也可以连接家中原有的音响系统到电脑上，然后在音频软件中运行相关的设置。

本产品后端面板具备六个音频接头，可支持连接 7.1 环绕音频喇叭系统。

音频接头型式	说明
 SIDE	侧边环绕喇叭输出（灰色）：在八声道（7.1）设置时连接侧边环绕喇叭
 CENTER	中央声道／重低音喇叭输出（橘色）：在多声道设置时连接中央声道／重低音喇叭
 REAR	后环绕喇叭输出（黑色）：在多声道设置时连接后环绕喇叭
	音频输出（草绿色）：连接前置喇叭
	音频输入（浅蓝色）：连接音频设备，如 CD 播放机等
	麦克风输入（粉红色）：连接麦克风

喇叭设置

请参考以下设置值来设置您的音频喇叭系统：

名称	喇叭系统
耳机	无
2 (立体声)	左侧喇叭 / 右侧喇叭
2.1	左侧喇叭 / 右侧喇叭 / 重低音喇叭
4.1	二个前置喇叭 / 二个后置喇叭 / 重低音喇叭
6/ 5.1	二个前置喇叭 / 二个后置喇叭 / 中央声道 / 重低音喇叭
8/ 7.1	二个前置喇叭 / 二个后置喇叭 / 二个侧边喇叭 / 中央声道 / 重低音喇叭
家用音响系统	家用立体声喇叭或家庭影院音频系统之被动喇叭

喇叭型式说明：

您的电脑仅能支持一组主动式喇叭系统，主动式喇叭必须具备本身的电源，家用音响因为有连接扩大机，所以不需使用主动式喇叭。

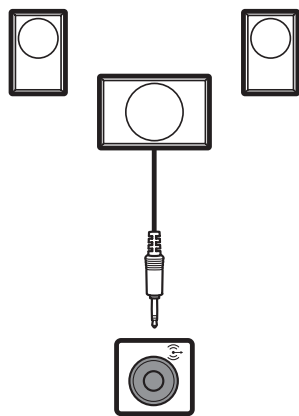
立体声喇叭组是指左、右各一个喇叭。多声道喇叭组包括左、右前置喇叭及左、右后置喇叭，且有可能还包括一个重低音喇叭及一个中央声道喇叭。侧边喇叭包含在较进阶的系统。重低音喇叭提供加强的重低音音频。

“1”是指重低音喇叭。例如 7.1 声道请使用八声道喇叭模式，并使用二个前置喇叭 (左-右), 二个后置喇叭 (左-右), 二个侧边喇叭，一个中央声道及一个重低音喇叭。

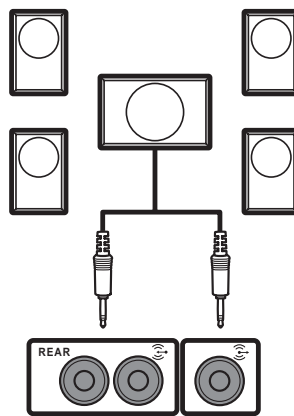
连接喇叭

请参考以下各种喇叭的型式，连接所需的喇叭至您的电脑，连接好之后请做好相关的设置。

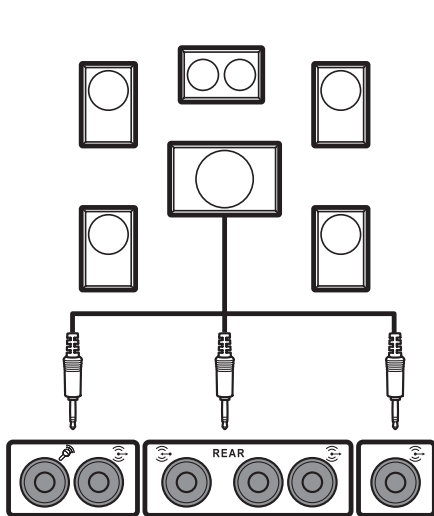
2 个喇叭



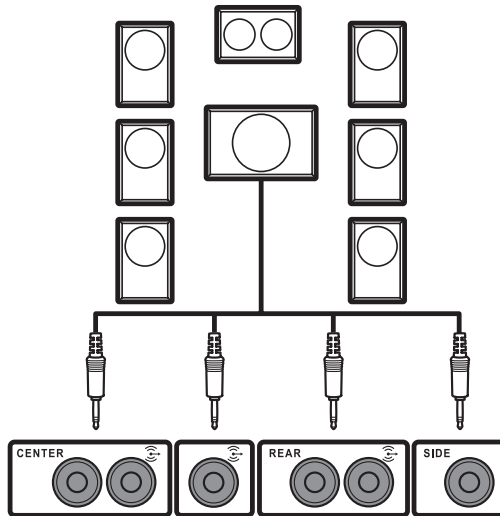
4 个喇叭



5 个喇叭及一个重低音



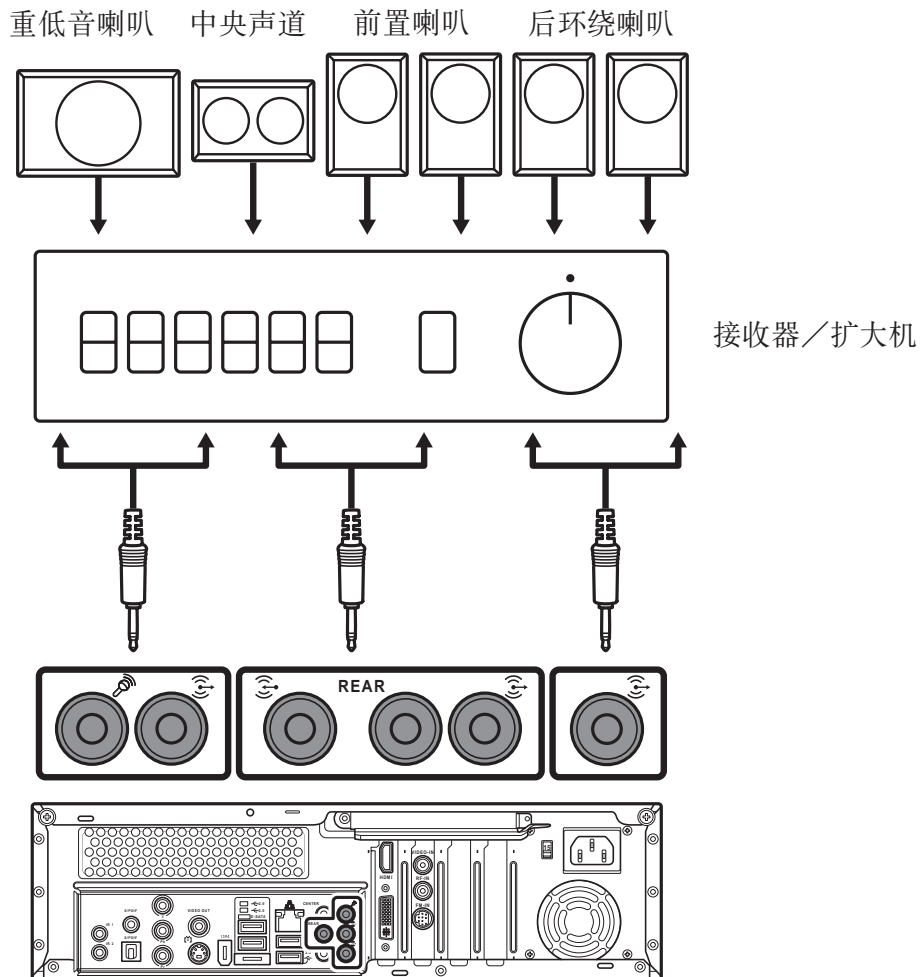
7 个喇叭及一个重低音



连接家用音响

您可以连接 Media Center PC 至您现有的家用音响或多声道家庭影院系统。

大部分的家用接收器/扩大机都具备 RCA 接头，您可能需要使用 Y 型信号线连接接收器/扩大机，并连接到您的 Media Center PC（选购）。



音频输出设置


您可以使用 SoundMax 软件或安装在 Media Center PC 内的 Media Center 程序来设置喇叭的音频输出。

使用 SoundMax Audio Wizard 设置音频

安装好喇叭后，请依照以下步骤运行音频设置：







1. 按下 开始 键开启开始菜单。
2. 选择 所有程序。
3. 选择 SoundMAX 开启程序控制面板。



4. 在 SoundMAX 控制面板点击音频设置精灵  图标以运行音频设置。
5. 接着选择您所连接的喇叭数量。
6. 在音量调整画面中，您可以对每一个喇叭个别调整音量或是对所有喇叭一起调整。
7. 接着在麦克风音量调整画面中，您可以按下 麦克风测试 来测试其音量大小。
8. 按下 结束 退出 SoundMax 音频设置精灵。

SoundMax 工作列图标：

SoundMax 主画面包含以下主要功能项目：

1.  音频设置精灵：点击以开启音频设置精灵，并运行音频输出设置。
2.  缺省值：点击以将所有设置回复到缺省值。
3.  偏好设置：点击以开启偏好设置窗口，并依照您的需求运行调整。
4.  音量调整：点击以显示／隐藏音量调整窗口。
5.  录音设置：点击以显示／隐藏录音设置窗口。
6.  说明：点击以显示说明窗口。

使用 Windows XP Media Center 运行音频设置

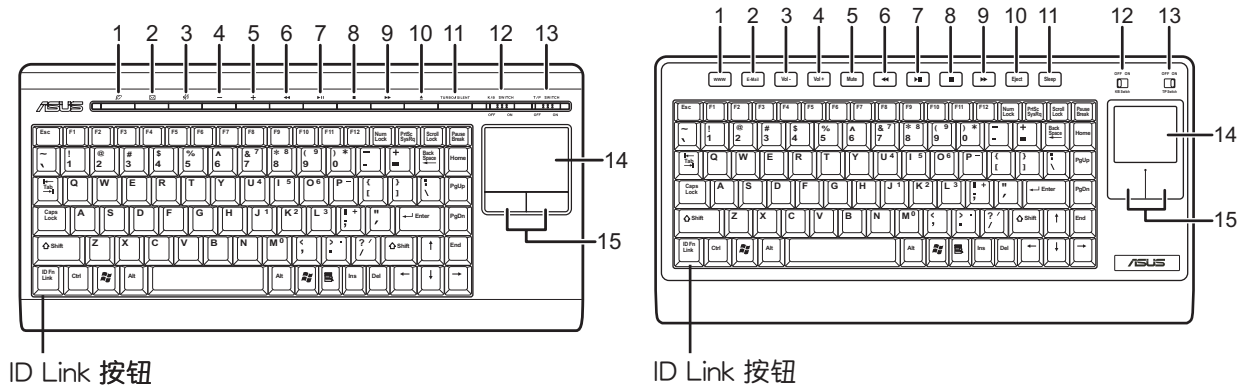
1. 在工作列上按下 开始 菜单。
2. 点击 所有程序。
3. 点击 Media Center 开启此程序，即会进入 Windows XP Media Center 主画面。
4. 在主画面中选择 设置／一般／Media Center 设置。
5. 选择 设置您的喇叭，接着按下 下一步。
6. 选择喇叭数目，然后按下 下一步。
7. 按下 测试 按钮来测试您的设置。并选择是否每个喇叭都发出测试音频，然后按下 下一步。
8. 按下 完成 完成喇叭设置。

硬件的使用

使用无线键盘

Media Center PC 所搭配的无线键盘具备内建的接收器与发送器。键盘右上角的灯号会显示目前的接收状态。

特殊键的使用



下表可以让您快速了解各个特殊功能键的用途：

项次	功能	说明
1.	Internet	按下此键开启网络浏览器
2.	E-mail	按下此键开启 e-mail 浏览程序
3.	静音	按下此键关闭声音
4.	音量减小	按下此键减小音量
5.	音量增大	按下此键增大音量
6.	倒转	按下此键将目前播放的媒体退回前一轨
7.	播放/暂停	按下此键以播放或暂停目前播放的媒体
8.	停止	按下此键以停止目前播放的媒体
9.	快转	按下此键将目前播放的媒体往前跳一轨
10.	退片	按下此键退出光盘托盘
11.	效能/静音模式	按下此键切换效能与静音模式
12.	键盘电源开关	开启或关闭键盘电源
13.	触控板开关	开启或关闭键盘触控板的功能
14.	触控板	可用手指在触控板上移动以取代鼠标功能
15.	触控板左右键	即鼠标的左右键功能

注意：以上的键盘图标仅供参考，并不包含在产品配件中。

注意：

- 若您的 Media Center PC 侦测不到无线键盘的话，请按下键盘左上角的 Connect 键及左下角的 ID Link 键。
- Media Center PC 具备二种操作模式：

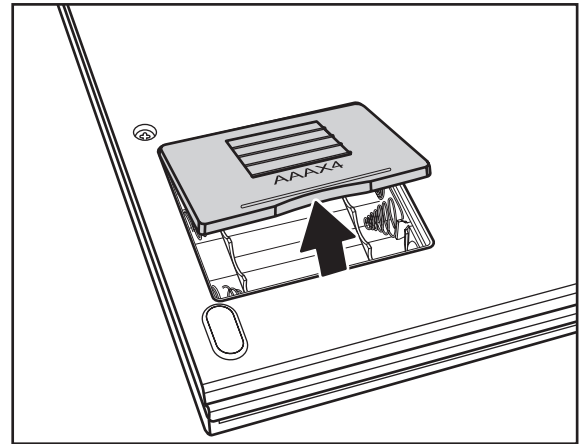
静音模式（Silent）：在静音模式下，系统会自动减低 CD-ROM 的传输速率以及 CPU 和 GPU 的运行速率。在此模式下用户可以拥有安静的操作环境且不影响运行的效能。此为默认模式。

效能模式（Turbo）：在效能模式下，系统会自动提高 CD-ROM 的传输速率以及 CPU 和 GPU 的运行速率。通常在需要高运行效率的工作时，比如玩 3D 电脑游戏或运行多工的多媒体资料时会采用此一模式。

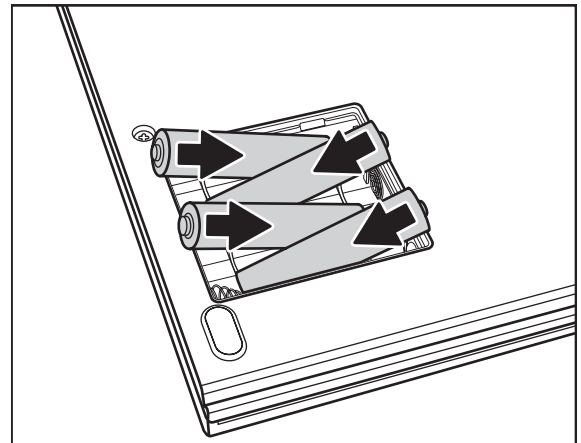
- 无线键盘具备省电模式，当无线键盘闲置超过三分钟时即会进入省电模式，此时请按下任意键（包含触控板及左/右按键）回复到一般模式。（省电模式的耗电量只有一般模式的1.88%）

安装键盘电池

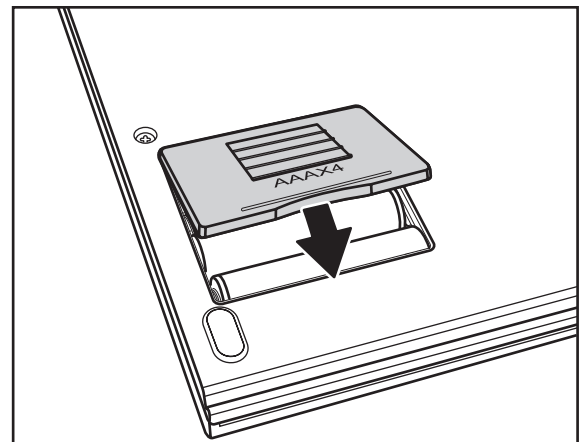
1. 打开键盘背面的电池盖。



2. 将电池依标示方向装入电池插槽内。



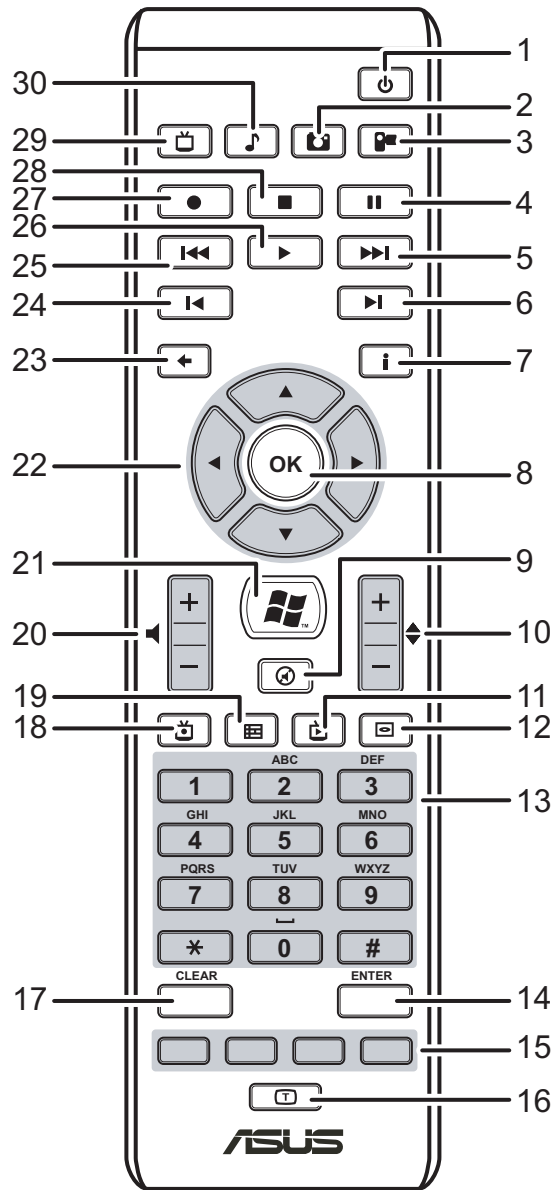
3. 盖上电池盖。



使用摇控器

您可以使用摇控器开启 Windows XP Media Center 程序，并用来观赏电视，录电视节目，观赏录制的节目，还可以听音乐，看电影等等。

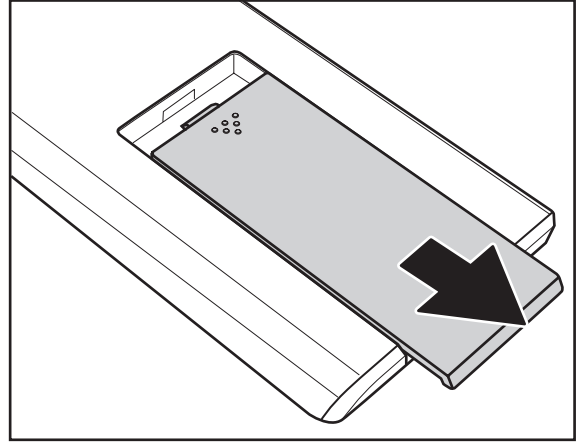
请参考以下的摇控器图标及功能列表以了解详细的使用方式。



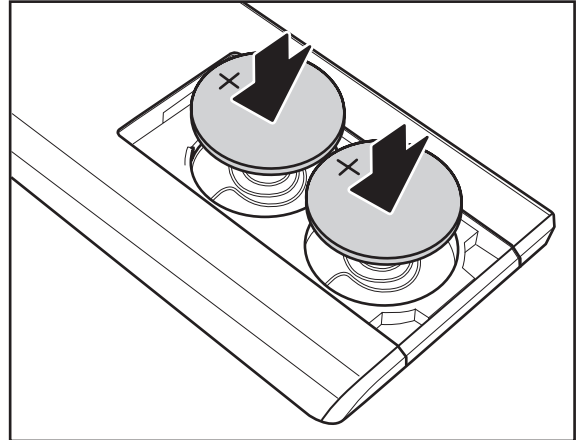
项目	功能	说明
1.	电源	关闭屏幕及喇叭电源 (离开模式)
2.	我的图片	进入照片浏览模式
3.	我的视频	进入视频播放模式
4.	暂停	暂停播放
5.	快转	快转目前播放的多媒体资料
6.	下一轨	跳到下一轨
7.	信息	显示相关信息
8.	确认键	确认欲运行的功能
9.	静音	关闭声音
10.	频道切换	在电视模式下可切换频道
11.	Live TV	进入电视模式
12.	DVD	进入 DVD 模式
13.	数字键	可直接输入频道的号码
14.	输入键	确认您的选择
15.	电视文字广播键	仅适用于欧洲机种
16.	文字切换键	切换数字及英文输入模式
17.	清除	清除已输入的信息
18.	录制电视节目	开始录制目前的电视节目
19.	电子节目表单EPG (Electronic Program Guide)	开启电子节目表单
20.	音量调整键	增大或减小音量
21.	Windows Media Center	开启 Media Center 程序
22.	方向键	用来操作菜单
23.	返回	返回至前一页
24.	上一轨	倒退至前一轨
25.	倒转	倒转目前播放的多媒体资料
26.	播放	开始播放
27.	录影	开始录制
28.	停止	停止播放
29.	我的电视	进入电视模式
30.	我的音乐	进入音乐模式

安装遥控器电池

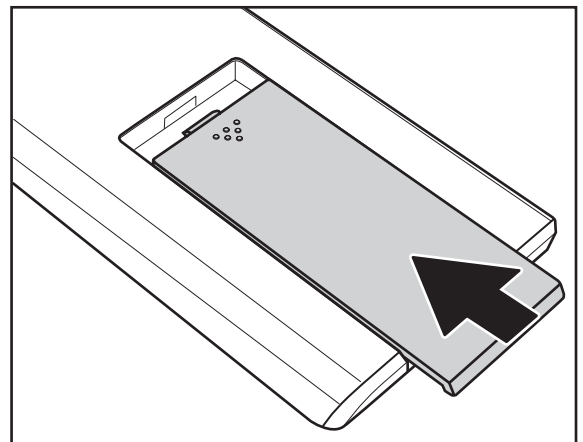
1. 去除遥控器的电池外盖。



2. 装入电池，注意正负极的位置。



3. 装回电池外盖。



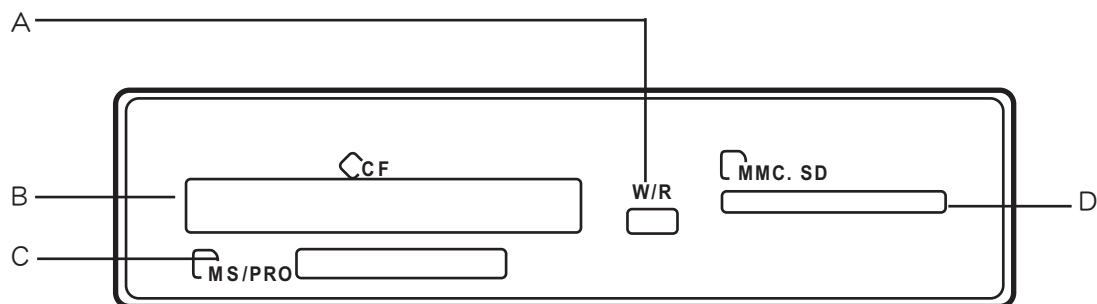
使用读卡器

目前有许多数码设备如数码相机等都使用存储卡作为存储的媒介，本产品内建了读卡器可提供用户方便地存取存储卡中的资料。

您可以同时插入不同的存储卡至读卡器的多个插槽之中，在 **我的电脑** 中可以清楚看到各个插槽所标示的名称，您可以很容易地区别。

以下图标详细说明了各个存储卡插槽所支持的存储卡种类及规格。

存储卡插槽说明



项目	名称	说明
A	LED 指示灯	当存储卡在读写状态时会亮红灯
B	CF 插槽	支持 MD, CF Type I/II
C	MS/MS PRO 插	支持 MS/MS-Pro, MS duo, MS pro duo
D	MMC/SD 插槽	支持 SD, mini SD (通过转接卡可支持 Micro SD), MMC, MMC4.x, RS MMC, RSMMC4.x (通过转接卡可支持 MMC mobile)

请依照以下的步骤及说明来使用读卡器：

1. 将存储卡小心地插入正确的插槽并推至最底部。
2. 电脑会自动跳出一个询问窗口，您可以在窗口中选择一个程序来运行存储卡中的资料。您也可以选择将资料备份到电脑硬盘中。

或者

若电脑并未自动跳出询问窗口时，您可以选择开始／我的电脑，并点击存储卡所在的资料夹即可看到存储卡中的资料。

3. 当您完成存取存储卡资料时，请在该资料夹上按一下鼠标右键，并选择 退出 即可。

当存储卡存取指示灯熄灭时即可取出该存储卡。

注意：存储卡存取指示灯仍在闪动时请勿取出存储卡，否则可能造成资料遗失或存储卡损坏。



“DTS CONNECT”，“DTS INTERACTIVE”及“DTS NEO:PC”是 DTS, Inc. 的商标 “DTS” 是 DTS, Inc. 的注册商标



开始使用 Windows XP Media Center

您可以使用无线键盘/鼠标及摇控器轻松操控您的 Windows XP Media Center。

请使用以下二种方式来开启 Windows XP Media Center：

- 从开始选择启动 Windows XP Media Center：
 - 按下 开始，并在开始菜单中选择 Media Center。
- 使用摇控器开启 Windows XP Media Center：
 - 按下摇控器的 Media Center  按钮。

我的电视

通过 我的电视 功能，您可以轻松体验看电视的各种乐趣，除了可以收看即时的电视节目之外，还可以随心所欲地录制喜欢的电视节目，以及浏览电视的各项信息等。

观看电视节目

1. 在摇控器上按下电视按钮，会出现前一次收看的频道。
2. 按下频道切换钮选择想要收看的频道。

录制电视节目

1. 使用频道切换钮或数字键选择至想要录制的节目。
2. 按下摇控器的录影按钮即可开始录制。

播放录制的电视节目

我的电视 所提供的录制节目功能会自动将电视目录制到资料缓冲区，当您暂停播放即时节目时，它会继续录制节目，长度最高至三十分钟，当您回到坐位时，按下播放键即可从您离开的地方开始继续播放。

1. 按下 暂停/停止 钮以暂停/停止即时节目并开始录制节目至缓冲区。
2. 按下 播放 钮即可从您离开的地方开始继续播放。

注意：

- 通过宽带方式随时随在远端存取即时电视的功能将视其个别地区的信号设置而有不同。
- 光盘内的软件之版权规原公司所有，华硕不提供软件更新或其他问题解决等服务。

我的音乐

我的音乐 让您享受完整的音乐响宴，包含聆听音乐 CD，建立自己的播放列表等等。

增加音乐CD至媒体柜

1. 按下 开始，并在开始菜单选择 Windows Media Player。
2. 置入音乐 CD 至光驱中。
3. 选择 新增到媒体柜 / 搜寻电脑，按 浏览 选择光驱，然后按 确定。
4. 接着按下 搜寻 即会开始将音乐资料复制到硬盘中。

播放音乐

1. 按下摇控器的 我的音乐 按钮以开启 我的音乐。
2. 您可以选择以专辑、演出者、播放清单、歌曲、内容类型等方式来选择想要听的音乐，或按 搜寻 去找到您要的歌曲。

我的图片

我的图片功能可以让您方便地享受数码影像的各种乐趣。您可以一张一张浏览您的照片资料或用投影片方式自动播放并搭配背景音乐。

浏览照片

1. 按下摇控器的 我的图片 按钮以开启 我的图片，画面上会显示电脑中的照片资料夹。
2. 用方向键选择想要浏览的照片资料夹，然后按下 确认 键，打开资料夹。
3. 选择想要浏览的视频资料并按下 确认 键开始播放。

您可以在左侧的菜单中选择 播放投影片，即可将该资料夹内的所有照片以全屏幕方式自动播放。

我的视频

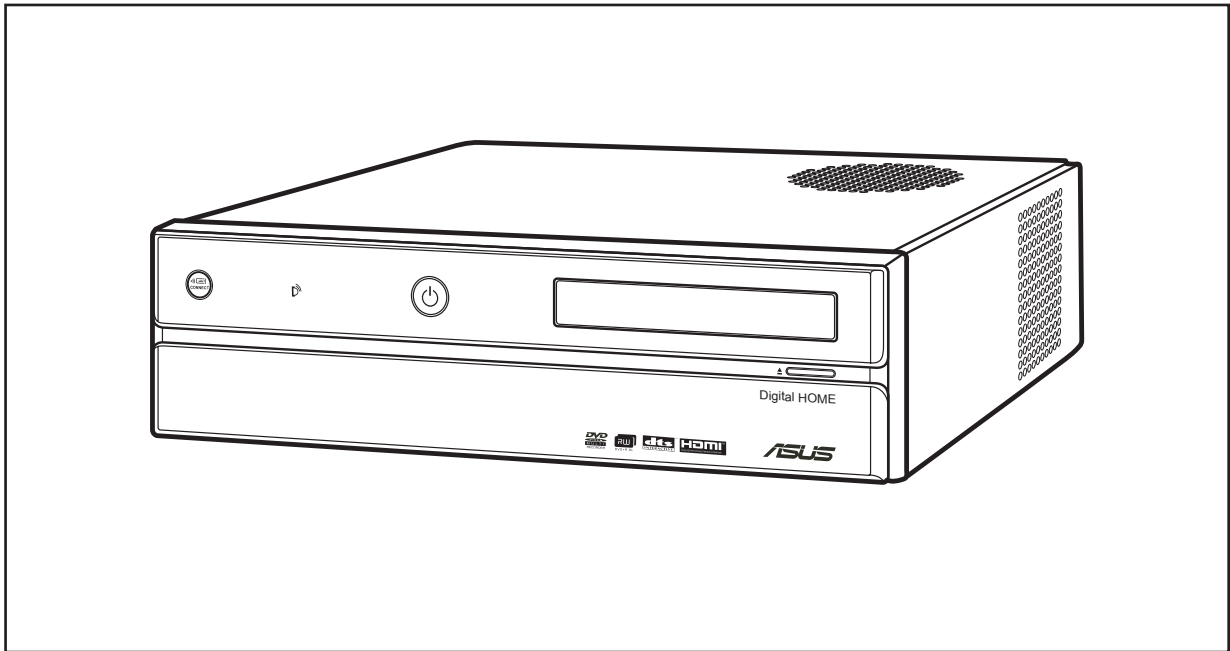
我的视频功能可以让您方便地享受数码影像的各种乐趣。您可以观看并分享您的视频资料，并且可以方便地用名称及日期来做搜寻。

播放影像资料

1. 按下摇控器的 **我的视频** 按钮以开启 **我的视频**，画面上会显示电脑中的视频资料夹。
2. 用方向键选择想要浏览的视频资料夹，然后按下 **确认** 键，打开资料夹。
3. 选择想要浏览的视频资料并按下 **确认** 键开始播放。

한국어

ASUS[®]



한국어

Asus Asteio 미디어 센터 PC 사용자 매뉴얼

모델 D22/ D20



머리말

Asus Asteio 미디어 센터 PC를 구입해 주셔서 감사합니다. 본 매뉴얼을 주의 깊게 읽고 나중에 필요할 때를 대비해 안전한 곳에 보관하십시오.

본 매뉴얼에 관해

본 매뉴얼은 정확하면서도 최신 내용을 담기 위해 많은 노력을 기울였습니다. 그러나, 내용의 정확성에 관해서 보장할 수 없으며, 사전 통지 없이 변경될 수 있습니다.

저작권 정보

제조업체의 서면 허가 없이는 여기에 설명된 제품이나 소프트웨어를 포함해 매뉴얼의 어떤 부분도 복사되거나 전달, 복제 및 검색 시스템에 저장될 수 없으며, 또한 다른 용도를 위해 구매자에 의해 기록된 문서화를 제외한 어떤 형태나 방식으로든 번역될 수 없습니다.

본 매뉴얼에 등장하는 제품과 회사 이름은 상표나 각 회사의 저작권으로 등록될 수 없고 소유주의 이익을 침해하려는 목적없이 신원 증명 또는 설명을 위해서만 사용될 수 있습니다. 모든 상표는 소유주의 자산입니다.

Copyright © 2006. All rights reserved.

CATV 시스템 설치자에게 알립니다.

본 주의문은 올바른 기반 설립을 위한 가이드라인을 제공합니다. 동축 케이블 차폐가 실용적일 만큼 케이블 입력점에 가까운 건물의 기초 시스템에 연결되어야 한다고 상술하는 National Electric Code의 섹션 820-93에 대해 CATV 설치자의 주의를 환기시키기 위해서 제공됩니다.

안전 정보

Asus Asteio 미디어 센터 PC는 정보 기술 장비를 위한 최근의 안전 기준을 충족시키도록 디자인 되었고 테스트 되었습니다. 그러나, 본 제품의 안전한 사용을 위해 본 문서에서 진술된 안전 지시사항은 중요합니다.

시스템 설치하기

- 미디어 센터 PC를 작동시키기 전에 문서에 있는 모든 지시사항을 읽고 따르십시오.
- 웨이퍼나 라디에이터 같은 뜨거운 것 근처에서 본 제품을 사용하지 마십시오.
- 평평한 곳에서 시스템을 사용하십시오.
- 컴퓨터 상자에 있는 환기창은 통풍을 위한 것입니다. 이 환기창들을 막거나 덮지 마십시오. 작업장에 설치할 때 통풍 시스템 주변에 최소 15cm (6인치)의 충분한 공간이 확보되었는지 확인하십시오. 환기창에 어떤 물건도 삽입하지 마십시오.
- 미디어 센터 PC와 함께 연장 코드를 사용한다면, 연장 코드에 꽂혀있는 제품의 전체 암페어율이 연장 코드의 암페어율을 초과 하지 않는지 확인하십시오.
- 미디어 센터 PC TV 튜너, 케이블 또는 인공 위성 수신기와 맞기 때문에, 안테나 또는 케이블 시스템이 전압 접지와 정전기 충전 증가에 대한 보호장치를 제공하기 위해 전기적으로 기초가 튼튼한지 확인하십시오.

사용 기간 중 관리

- 전원 코드를 밟거나 그 위에 물건을 올려 놓지 마십시오.
- 미디어 센터 PC에 물 또는 다른 액체를 엌지르지 마십시오.
- 미디어 센터 PC를 꺾을 때도 소량의 전기가 여전히 컴퓨터에 흐릅니다. 항상 시스템을 청소하기 전에 전원 콘센트에서 전원 케이블과 모뎀 케이블을 뽑으십시오.
- 전원 콘센트에서 시스템을 뽑고 자격있는 직원에게 서비스를 부탁하십시오:
 - 전원 코드나 플러그가 손상되었을 경우.
 - 액체가 시스템에 엌질러졌을 경우.
 - 작동 지시사항을 따랐으나 시스템이 적절히 작동하지 않을 경우.
 - 시스템을 떨어뜨렸거나 캐비닛이 손상되었을 경우.
 - 시스템 성능이 변경되었을 경우.

목차

머리말	i
본 매뉴얼에 대해	i
저작권 정보	i
안전 정보	ii
시스템 설치	ii
사용 기간 중 관리	ii
개요	1
기능	1
미디어 센터 PC 설치	2
미디어 센터 PC 설치 계획	2
미디어 센터 PC 점검	3
전면부 보기	3
후면부 보기	4
연결하기	8
TV 신호 소스 연결하기	8
기존 장치에 TV 신호 소스 연결하기	10
모니터로 TV 사용하기	12
TV에 연결하기 위한 케이블	12
TV에 연결하기	12
외부 장치에 적외선 수신기 연결하기	16
무선 LAN 안테나 설치	16
디지털 TV/ FM 안테나 설치	17
디지털 비디오 카메라에 연결하기	17
다른 장치에 연결하기	18
스피커와 음향 옵션 구성하기	19
스피커 구성	20
오디오 스피커 연결하기	21
홈 오디오 시스템에 미디어 센터 PC 연결하기	22
오디오 출력 세팅 구성	23
사운드맥스 오디오 마법사로 오디오 출력 구성하기	23
Windows XP 미디어 센터로 오디오 출력 구성하기	24
PC 하드웨어 사용하기	25
무선 키보드 사용하기	25
특별 키보드 버튼 사용하기	25

키보드 배터리 삽입하기	27
리모컨 사용하기	28
리모컨 배터리 삽입하기	30
메모리 카드 리더 사용하기	31
메모리 카드 삽입 가이드	31
Windows XP 미디어 센터 시작하기	33
내 TV 사용하기	33
TV 프로그램 보기.....	33
TV 프로그램 녹화하기.....	33
TV 녹화 플레이	33
내 음악 사용하기	34
미디어 라이브러리	34
Playing Music에 음악 CD 추가하기.....	34
내 그림 사용하기	34
그림 보기	34
내 비디오 사용하기.....	35
비디오 보기	35
제품 사양	35

머리말

Asus Asteio 미디어 센터 PC는 강력한 컴퓨팅 성능과 풍부한 멀티미디어 능력을 특징으로 합니다. 다른 프로그램을 사용하는 동안 Windows XP 미디어 센터를 작동할 수 있고 다른 프로그램을 사용하지 않으면서 전체 화면 모드에서 Windows XP 미디어 센터를 즐길 수도 있습니다. 다른 가정용 멀티미디어 시스템에서 리모컨을 사용하는 것과 같은 방법으로 미디어 센터 리모컨을 사용하십시오. TV 프로그램 시청과 녹화, 비디오와 음악 재생, 그리고 사진 보기를 위해서 리모컨과 미디어 센터를 사용할 수 있습니다.

Windows XP 미디어 센터와 다른 프로그램을 작동시키기 위해서 무선 키보드와 마우스를 사용하십시오.

기능

- AV 오락
 - 생방송 TV 프로그램 시청과 녹화
 - DVD와 홈 비디오 플레이
 - 음악 파일 듣기
 - 그림 보기와 편집
- 커넥티비티
 - 무선 장치를 이용해 연결하기
 - 화상 회의와 전화 회의 기능(웹캠과 Skype 소프트웨어가 본 기능을 위해 사용됩니다.)
 - 다른 채널을 공유하기 위한 데이터 스트리밍
- 무선 키보드를 위한 장거리 리모컨 지원(30 피트)
- 데이터 전송을 위한 13-in-1 카드 리더 기능(MD, CF 타입 I & II, MS, MS-프로, MS-듀오, MS- 프로 듀오, SD, 미니 SD, MMC, MMC4.x, RS MMC, RSMMC4.x)

미디어 센터 PC 설치하기

미디어 센터 PC 설치 계획

미디어 센터 PC 설치를 시작하기 전에, 선택한 위치에서 모든 연결들이 사용 가능한지 확인하기 위해 잠시 여유를 두십시오.

- 인터넷 연결

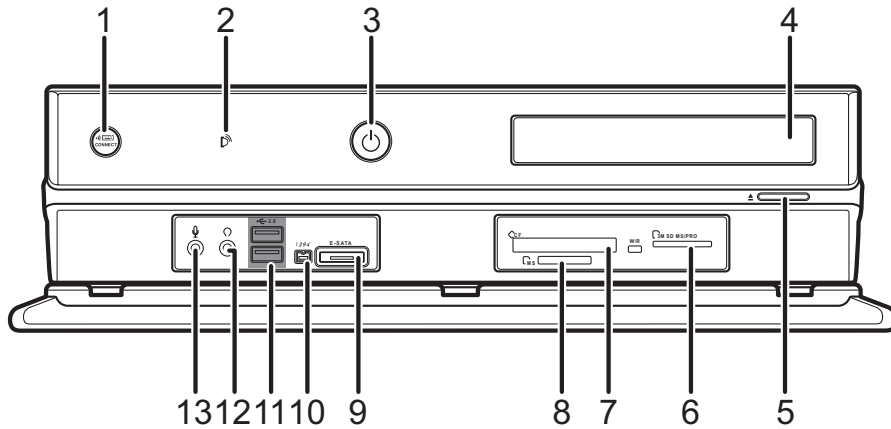
컴퓨터는 EPG (Electronic Program Guide)를 업그레이드하고 인터넷에 접근하기 위해 인터넷 연결이 필요합니다. Windows XP 미디어 센터 소프트웨어 설치를 시작하기 전에 전화선 연결 모뎀 또는 광대역 인터넷 연결에 접근했는지 확인하십시오. 인터넷 연결을 설치하는 것에 대한 더 자세한 정보가 필요하시면 인터넷 서비스 제공자에게 연락하십시오.

- 비디오 소스

미디어 센터 PC 설치를 시작하기 전에 비디오 소스에 접근했는지 확인하십시오. 미디어 센터 PC는 동축 케이블 또는 S-비디오 케이블에서 비디오 출력을 받습니다. 비디오 소스는 보통 안테나, 다이렉트 케이블 TV 연결, 케이블 박스, 또는 인공위성 수신기에서 옵니다. 케이블 박스와 인공위성 수신기는 셋톱 박스라고도 알려져 있습니다.

미디어 센터 PC 점검

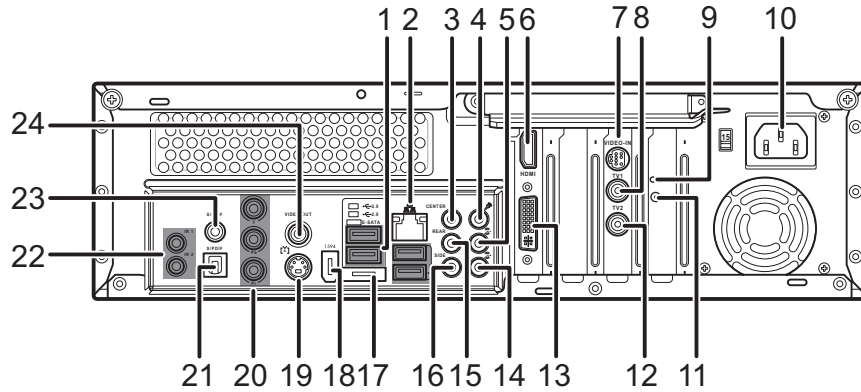
정면부 보기



아이템	컴포넌트	제품 사양
1	ID 링크 수신기	무선 키보드 ID 링크 세팅을 사용하십시오.
2	적외선 수신기	리모콘에서 적외선(IR) 신호를 받으십시오.
3	전원 버튼	PC를 켜거나 끌 때 누르십시오.
4	녹화 가능한 CD-ROM/ DVD 드라이브	오디오 CD 듣기, 게임과 프로그램 설치, DVD 보기, 그리고 녹화 가능한 CD와 DVD에 큰 파일 저장을 하려면 이 드라이브를 사용하십시오.
5	CD/DVD 드라이브 축출 버튼	CD/DVD 트레이를 열려면 누르십시오.
6	SD/MMC 프로 카드 리더	지울 수 있는 메모리 카드 드라이브를 통해 디지털 장치에서 미디어 센터 PC로 파일을 전송하십시오.
7	CompactFlash / MicroDrive 카드 리더	지울수 있는 메모리 카드 드라이브를 통해 디지털 장치에서 미디어 센터 PC로 파일을 전송하십시오.
8	MS 카드 리더	지울수 있는 메모리 카드 드라이브를 통해 디지털 장치에서 미디어 센터 PC로 파일을 전송하십시오.
9	E-SATA 포트	이 포트에 외부 장치를 꽂으십시오.
10	IEEE 1394 포트	이 6-pin IEEE 1394 포트에 디지털 캠코더와 같은 IEEE 1394 장치를 꽂으십시오.
11	USB 포트 * 2	이 포트에 USB 장치(USB 프린터, 카메라, 스캐너, 또는 키보드 같은)를 꽂으십시오.
12	헤드폰 잭	이 잭에 확대 스피커 또는 헤드폰을 꽂으십시오.
13	마이크 잭	음성 파일을 녹음하거나 전송하려면 이 잭에 외부 마이크를 꽂으십시오.

후면부 보기

Asteio D22



아이템	컴포넌트	제품 사양
1.	USB 포트 x 4	이 포트에 USB 장치(USB 프린터, 카메라, 스캐너, 또는 키보드 같은)를 꽂으십시오.
2.	이더넷 잭	이 잭에 10/100/1000 이더넷 네트워크 케이블을 꽂으십시오.
3.	중앙 아날로그 오디오 출력 잭 (라인 출력)	이 잭에 자체 앰프를 내장한, 중앙/서브우퍼 스피커 또는 외부 오디오 스피커를 꽂으십시오.
4.	마이크 잭	음성 파일을 녹음하거나 전송하려면 이 잭에 외부 마이크를 꽂으십시오.
5.	오디오 출력 잭	정면부 스피커를 위한 라인 출력
6.	HDMI	이 잭에 HDMI (High Definition Multimedia Interface) 장치를 꽂으십시오.
7.	비디오 입력	이 잭에 비디오 소스로부터 동축 케이블을 꽂으십시오.
8.	TV 1	이 잭에 신호 케이블을 꽂으십시오. (사용자 정의가 가능한)
9.	LED 표시등	무선 LAN 카드가 작동하는 것을 나타냅니다.
10.	전원 입력 잭	이 포트에 전원 코드를 꽂으십시오.
11.	WiFi 안테나 커넥터	이 포트에 무선 LAN 안테나를 꽂으십시오.
12.	TV 2	이 포트에 신호 케이블을 꽂으십시오.(사용자 정의가 가능한)
13.	DVI 포트	TV/모니터를 위해 디지털 비디오 출력 커넥터를 꽂으십시오.
14.	오디오 입력 잭	PC로의 입력을 위해 이 잭에 CD 플레이어 같은 아날로그 오디오 장치를 꽂으십시오.

아이템	컴포넌트	제품 사양
15.	후면부 스피커 잭	멀티채널 오디오 구성에 있는 후면부 스피커를 꽂으십시오.
16.	측면부 스피커 커넥터	8개-스피커 시스템에 있는 측면 스피커를 꽂으십시오.
17.	E-SATA 포트	미디어 센터 PC에 외부 장치를 꽂으십시오.
18.	IEEE 1394 포트	이 6-pin IEEE 1394 포트에 디지털 캠코더와 같은 IEEE 1394 장치를 꽂으십시오.
19.	S-비디오 출력 포트	TV 세트에 연결하려면 이 포트에 S-비디오 케이블을 꽂으십시오.
20.	컴포넌트 비디오 포트	TV 세트에 연결하려면 컴포넌트 비디오 케이블을 꽂으십시오.
21.	S/PDIF 포트 (옵티컬)	디지털 오디오 전송을 위해 이 잭에 옵티컬(Toslink) 디지털 오디오 케이블을 꽂으십시오.
22.	IR 포트 x 2	채널을 바꾸기 위해 리모콘에서 셋톱 박스로 입력을 전송하려면 이 잭에 IR 조정 케이블을 꽂으십시오.
23.	S/PDIF 포트 (RCA)	디지털 오디오 전송을 위해 이 잭에 RCA 케이블을 꽂으십시오.
24.	비디오 출력 포트	TV 세트에 연결하려면 이 잭에 RCA 케이블을 꽂으십시오.

참고:

TV1와 TV2를 위한 입력 신호를 선택하려면 TV 설정 소프트웨어를 사용하십시오.

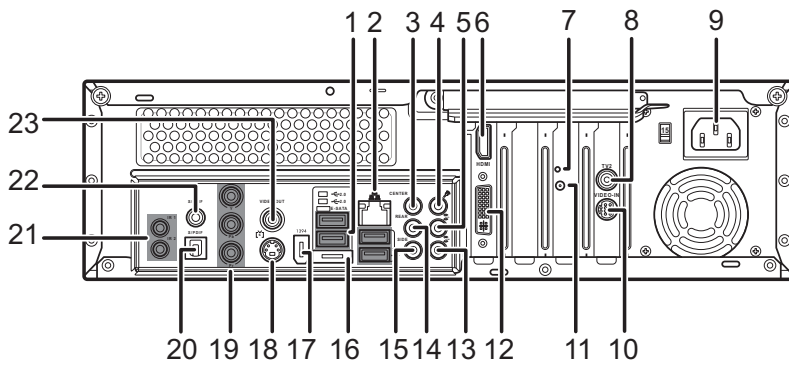
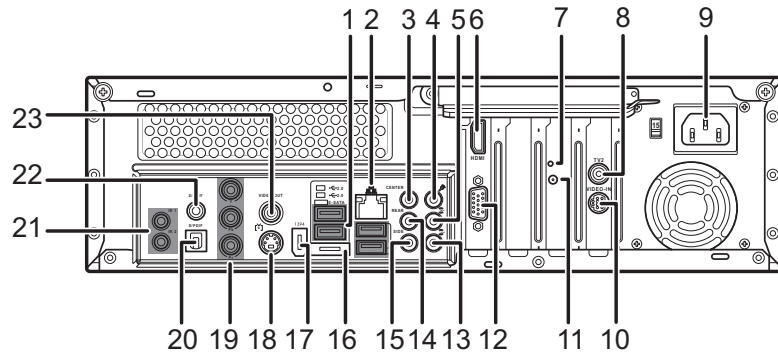
미디어 센터 PC에 있는 Asus TV설정 기능을 이용해 TV 세팅을 설정하십시오. 데스크탑에 있는 단축 아이콘과 시작 메뉴에 있는 프로그램을 클릭해서 Asus TV설정 프로그램을 여십시오. 드롭-다운 메뉴에서 장치를 선택하고 아날로그 TV, FM, 그리고 DVBT 채널을 위해 세팅을 각각 확인하십시오.



참고:

TV 설정 기능은 D22에서만 사용 가능합니다.

Asteio D20

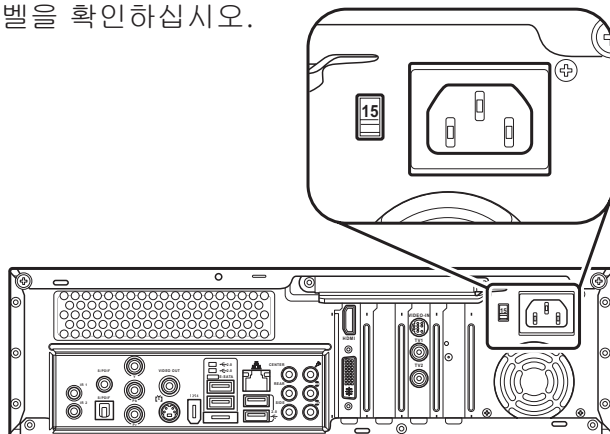


아이템	컴포넌트	제품 사양
1.	USB 포트 x 4	이 포트에 USB 장치(USB 프린터, 카메라, 스캐너, 또는 키보드 같은)를 꽂으십시오.
2.	이더넷 잭	이 잭에 10/100/1000 이더넷 네트워크 케이블을 꽂으십시오.
3.	중앙 아날로그 오디오 출력 잭 (라인 출력)	이 잭에 자체 앰프가 내장된, 중앙/서브우퍼 스피커 또는 외부 오디오 스피커를 꽂으십시오.
4.	마이크 잭	음성 파일을 녹음하거나 전송하려면 이 잭에 외부 마이크를 꽂으십시오.
5.	오디오 출력 잭	정면부 스피커를 위한 라인 출력
6.	HDMI	이 잭에 HDMI (High Definition Multimedia Interface) 장치를 꽂으십시오.
7.	LED 표시등	무선 LAN 카드가 작동하는 것을 나타냅니다.
8.	TV	이 포트에 TV 신호 케이블을 꽂으십시오.
9.	전원 입력 잭	이 포트에 전원 코드를 꽂으십시오.
10.	비디오 입력	이 잭에 비디오 소스로부터 동축 케이블을 꽂으십시오.

아이템	컴포넌트	제품 사양
11.	WIFI 안테나 커넥터	이 포트에 무선 LAN 안테나를 꽂으십시오.
12.	VGA 포트/ DVI 포트	TV/모니터를 위해 디지털 비디오 출력 커넥터를 꽂으십시오.
13.	오디오 입력 잭	PC로의 입력을 위해 이 잭에 CD플레이어와 같은 아날로그 오디오 장치를 꽂으십시오.
14.	후면부 스피커 잭	멀티채널 오디오 구성에서 후면부 스피커를 꽂으십시오.
15.	측면부 스피커 커넥터	8개 스피커 시스템에 측면부 스피커를 꽂으십시오. .
16.	E-SATA 포트	미디어 센터 PC에 외부 장치를 꽂으십시오.
17.	IEEE 1394 포트	이 6-pin IEEE 1394 포트에 디지털 캠코더와 같은 IEEE 1394 장치를 꽂으십시오,
18.	S-비디오 출력 포트	TV 세트에 연결하려면 이 포트에 S-비디오 케이블을 꽂으십시오.
19.	컴포넌트 비디오 포트	TV 세트에 연결하려면 컴포넌트 비디오 케이블을 꽂으십시오.
20.	S/PDIF 포트 (옵티컬)	디지털 오디오 전송을 위해 이 잭에 옵티컬(Toslink) 디지털 오디오 케이블을 꽂으십시오.
21.	IR 포트 x 2	채널을 바꾸기 위해 키보드나 원격 셋톱 박스에서 입력을 보내려면 이 포트에 IR 조정 케이블을 꽂으십시오.
22.	S/PDIF 포트 (RCA)	디지털 오디오 전송을 위해 이 잭에 RCA 케이블을 꽂으십시오.
23.	비디오 출력 포트	TV 세트에 연결하려면 이 잭에 RCA 케이블을 꽂으십시오.

참고:

- 구입하는 모델에 따라 커넥터는 다를 수 있습니다.
- 미디어 센터 PC를 켜기 전에 제조업체가 권장하는대로 정확한 전압을 사용하는지 확인하십시오. 잭에 있는 전원 왼쪽의 전압 라벨을 확인하십시오.



연결하기

TV 신호 소스 연결하기

미디어 센터 PC는 비디오-입력 또는 동축(TV) 입력을 위해 커넥터를 갖추고 있습니다.

비디오 소스를 지원하는 커넥터를 선택하십시오:

- 비디오-입력

비디오 신호는 미디어 센터 PC를 위해 고품질의 비디오를 제공합니다. 만약 비디오-입력을 사용한다면, RCA 스테레오 플러그를 이용해 오디오 소스를 연결할 필요가 있습니다.

- 동축 (TV)

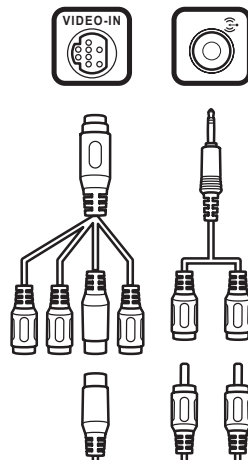
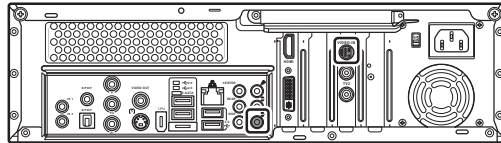
비디오와 오디오 신호 둘 다 한 케이블에 있습니다. 동축 케이블은 미디어 센터 PC에 다이렉트 케이블 또는 안테나 비디오 소스를 연결하는 가장 쉬운 방법입니다.

참고:

MCE 환경에서, 만약 이 장치가 디지털 TV 신호를 받도록 설정되어 있다면, 아날로그 TV와 FM 라디오 기능 비활성화 되고 반대로 될 것입니다.

S-비디오를 이용해 TV 신호에 연결하기

1. 케이블 셋톱 박스, 인공위성 셋톱 박스 또는 다른 비디오 소스 장치와 같은 비디오 소스에서 제공된 비디오-입력 케이블을 제공된 비디오 입력 어댑터에 연결하십시오. 그런 다음, 미디어 센터 PC의 뒤에 있는 비디오-입력 포트에 연결하십시오.
2. 비디오 장치에 있는 오디오 출력 잭에서 미디어 센터 PC 뒤에 있는 라인 입력(빨간색)잭으로 RCA 케이블을 연결하십시오.

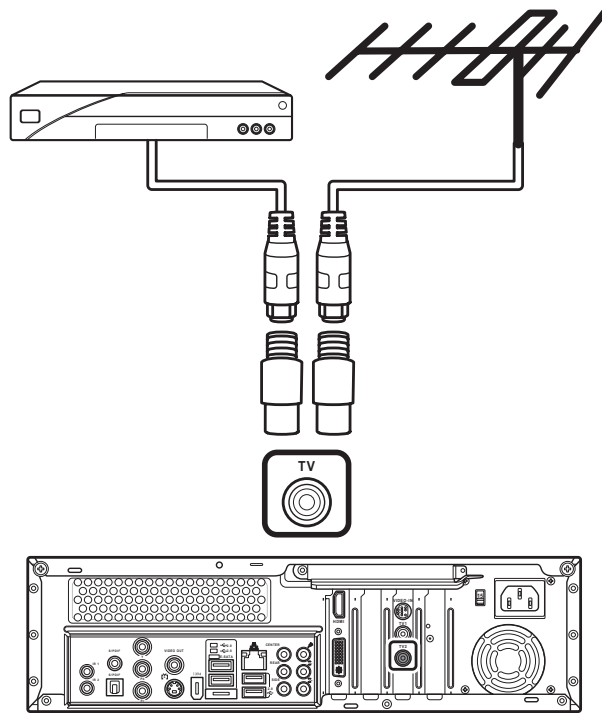


참고:

RCA 케이블에 연결하려면 RCA 어댑터 케이블을 사용해야 합니다.

TV 신호/동축 TV에 연결하기

다이렉트 케이블 연결, 케이블 셋톱 박스, 인공위성 셋톱 박스, 또는 안테나와 같은 비디오 장치에서 미디어 센터 PC 뒤에 있는 TV2 잭에 동축 케이블(포함되지 않음)을 연결하십시오.



미디어 센터 PC에 있는 Asus TV 설정 기능을 이용해서 TV 세팅을 설정하십시오. 데스크탑에 있는 지름길 아이콘이나 시작 메뉴의 프로그램을 클릭해서 Asus TV설정 프로그램을 여십시오. 드롭-다운 메뉴에서 장치를 선택하고 아날로그 TV, FM, 그리고 DVBT 채널을 위한 세팅을 각각 확인하십시오.



참고:

TV 설정 기능은 D22에
서만 사용 가능합니다.

기존 장치에 V 신호 소스를 연결하기

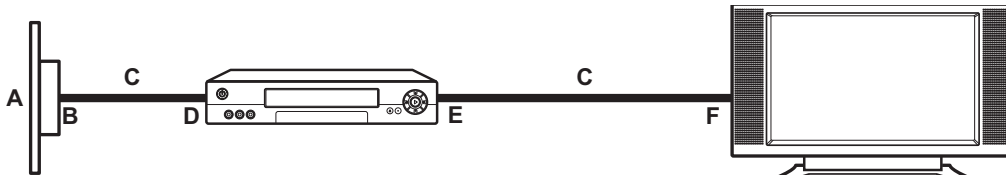
본 섹션은 TV 신호 소스를 위한 기존 장치에 미디어 센터 PC를 연결하는 방법을 설명합니다.

벽 -> VCR -> TV 이용 동축 케이블

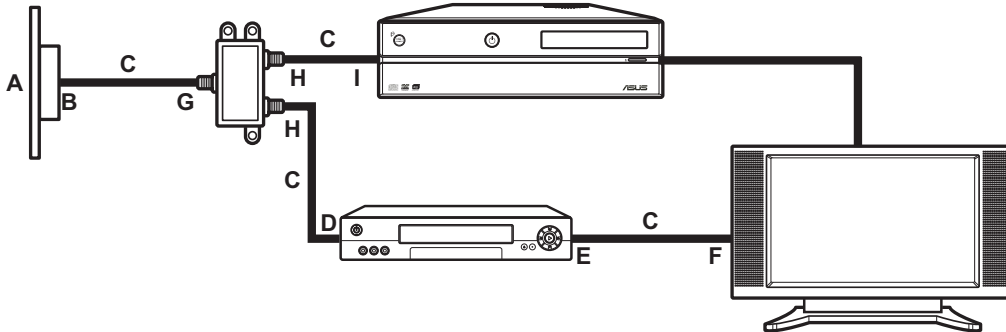
VCR로의 입력에서 동축 케이블을 제거하고 동축 케이블 신호 분배기(포함되지 않음)의 입력으로 연결하십시오. 분배기 출력에 두 동축 케이블을 연결하십시오.

이 케이블 중 하나를 VCR의 입력에 그리고 다른 하나를 미디어 센터 PC 뒤에 있는 TV 커넥터에 연결하십시오.

기존 구성



PC에 연결하기



- A 벽
- B 케이블 콘센트
- C 동축 케이블
- D VCR 입력
- E VCR 출력
- F TV 입력
- G 분배기 입력
- H 분배기 출력
- I 미디어 센터 PC 뒤에 있는 TV 입력 잭

참고:

분배기는 포함되지 않습니다.

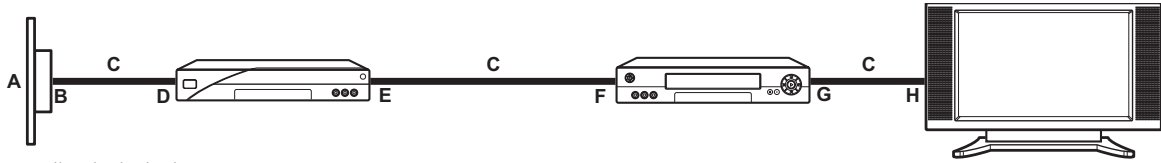
벽-> 케이블 TV 셋톱 박스나 인공위성 박스 -> VCR -> 동축 케이블 이용 TV

VCR로의 입력에서 동축 케이블을 제거하고 동축 케이블 신호 분배기(포함되지 않음)의 입력으로 연결하십시오. 분배기 출력에 두 동축 케이블을 연결하십시오.

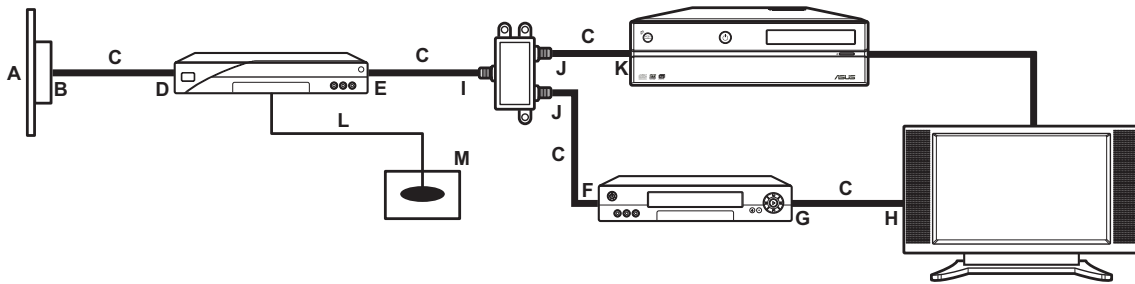
이 케이블 중 하나를 VCR의 입력에 그리고 다른 하나를 미디어 센터 PC 뒤에 있는 TV 커넥터에 연결하십시오.

참고: 동축 케이블을 이용해서 셋톱 박스를 VCR에 연결하십시오.

기존 구성



PC에 연결하기



- A 벽
- B 케이블 접속 기구
- C 동축 케이블
- D 셋톱 박스/인공위성 입력
- E 셋톱 박스/인공위성 입력
- F VCR 입력
- G VCR 출력
- H TV 입력
- I 분배기 입력
- J 분배기 출력
- K 미디어 센터 PC 뒤에 있는 TV 입력 잭
- L 리모컨 센서 케이블
- M 리모컨 센서

참고:
분배기는 포함되지 않습니다.

모니터로서 TV 사용하기

PC의 TV-출력 능력은 TV 스크린에 있는 PC로부터 이미지를 보기 위해 TV에 연결할 수 있게 해줍니다. TV-출력 기능으로, PC에서 PC 이미지 보기, DVD 영화 보기, 또는 게임을 할 수 있습니다.

TV 연결을 위한 케이블

미디어 센터 PC를 TV에 연결하려면, 비디오 케이블과 오디오 케이블을 사용해야 할 것입니다. 비디오 케이블의 타입은 TV 모델에 따라 다릅니다.

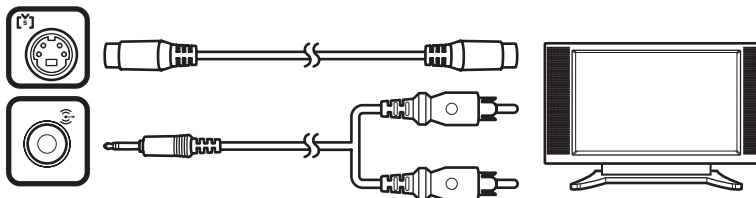
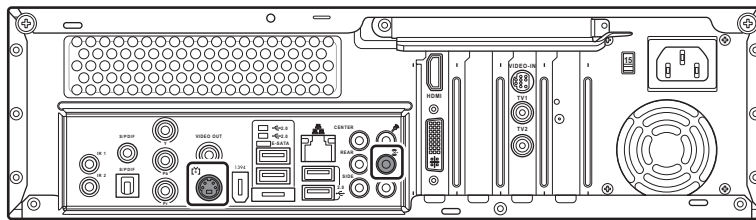
다음 방법 중 하나로 미디어 센터 PC를 TV에 연결할 수도 있습니다:

- 스테레오 오디오와 함께 있는 S-비디오
- 스테레오 오디오와 함께 있는 컴포넌트 비디오(YPbPr)
- 스테레오 오디오와 함께 있는 비디오
- 스테레오 비디오와 함께 있는 DVI
- HDMI
- SCART
- DVI -> 스테레오 오디오와 함께 있는 VGA 변환기

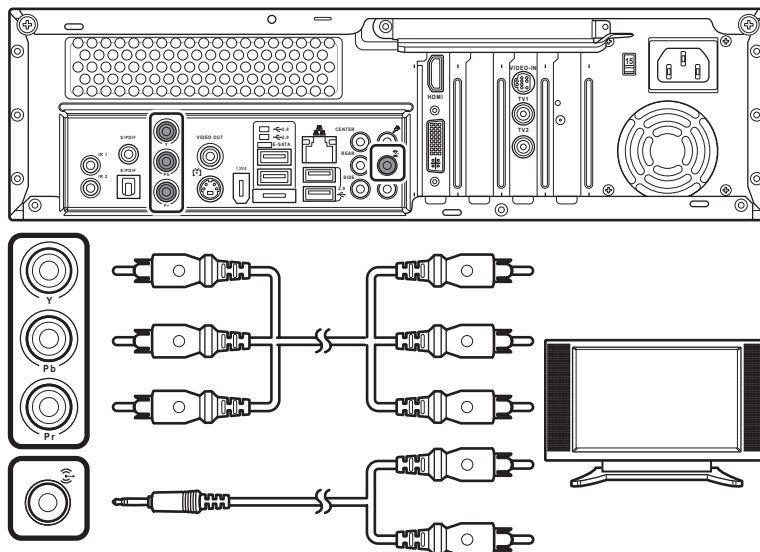
TV에 연결하기

1. 미디어 센터 PC를 끄십시오.
2. TV에 있는 연결 잭에 따라 다음 장치 중 하나를 이용해 TV 케이블을 연결하십시오,

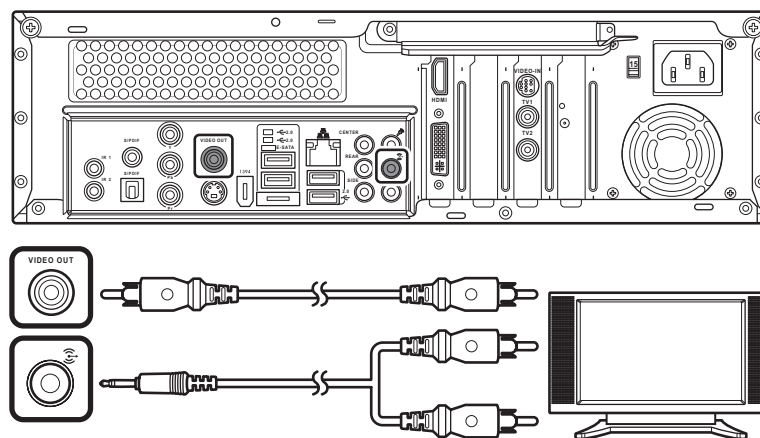
만약 TV에 S-비디오 잭이 있다면, S-비디오 케이블을 TV에 있는 S-비디오 입력 잭에서 미디어 센터 PC 뒤에 있는 S-비디오 출력 잭으로 연결하십시오.



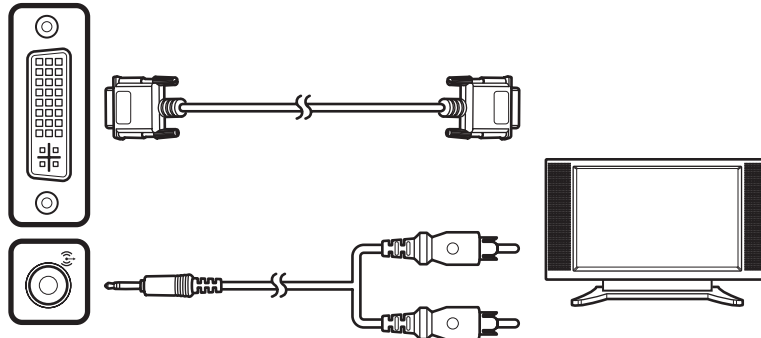
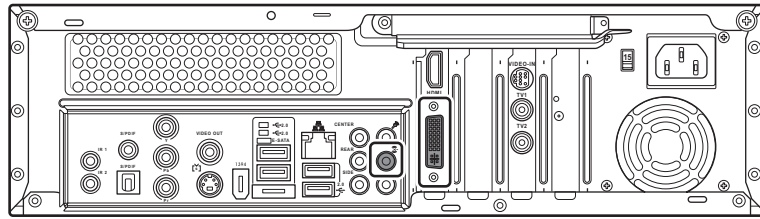
만약 TV에 컴포넌트 비디오 입력 잭이 있다면, 컴포넌트 비디오 케이블을 TV에 있는 컴포넌트 비디오 잭에 연결하고 미디어 센터 PC 뒤에 있는 컴포넌트 비디오 출력 잭에 연결하십시오.



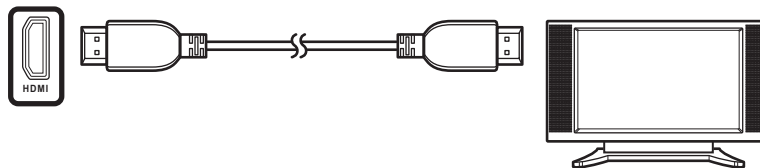
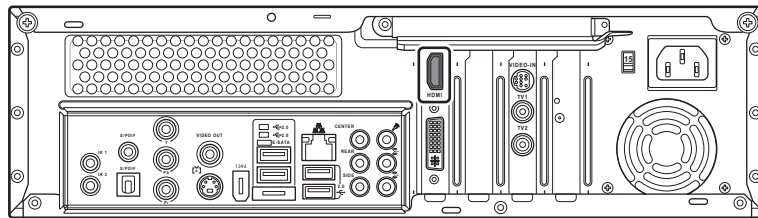
만약 TV에 비디오 입력 잭이 있다면, 비디오 케이블을 TV에 있는 비디오 입력 잭에 연결하고 미디어 센터 PC 뒤에 있는 비디오 출력 잭에 연결하십시오.



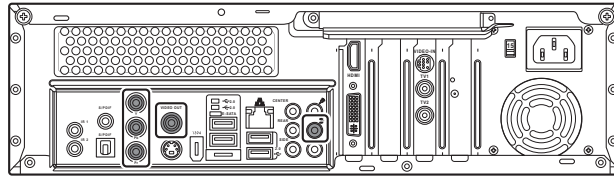
만약 TV에 DVI 커넥터가 있다면, TV에 있는 DVI 커넥터와 미디어 센터 PC 뒤에 있는 DVI 커넥터에 DVI 케이블을 연결합니다.



만약 TV에 HDMI 커넥터가 있다면, TV에 있는 HDMI 커넥터와 미디어 센터 PC 뒤에 있는 HDMI 커넥터에 HDMI 케이블을 연결합니다.

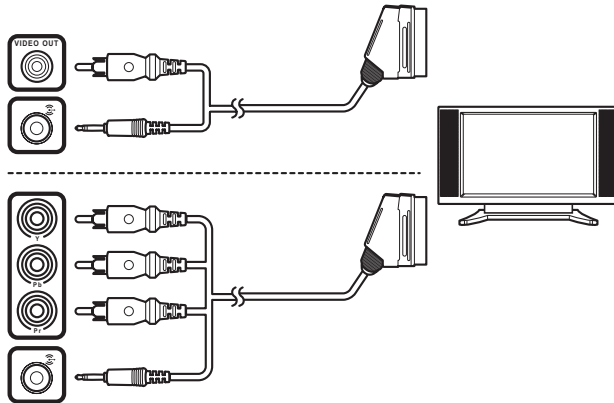


만약 TV에 SCART 커넥터가 있다면, TV에 있는 SCART 커넥터와 미디어 센터 PC 뒤에 있는 비디오 출력과 라인 출력(라임 그린) 커넥터에 SCART/복합 비디오 케이블을 연결합니다. 아래 그림에 보이는 것처럼 SCART/컴포넌트 비디오 케이블을 이용해 TV에 미디어 센터 PC를 연결할 수도 있습니다.

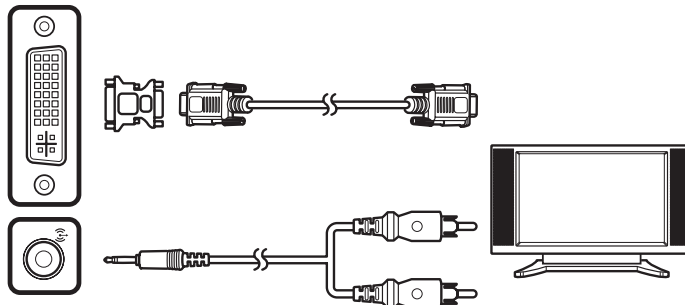
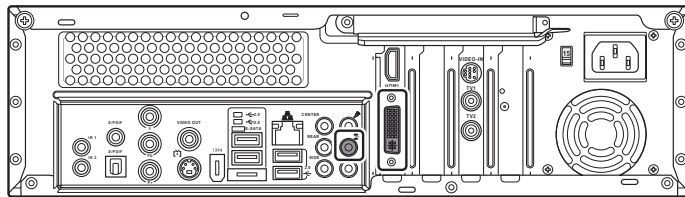


참고:

그림에 보이는 케이블은 설명을 위한 것입니다. 포장된 케이블은 다를 수 있습니다.



만약 TV에 VGA 커넥터가 있다면, 우선 VGA 미디어 센터 PC(Asteio D22 만) 뒤에 있는 DVI 커넥터에 VGA 변환기를 꽂고, VGA 케이블을 이용해 TV에 PC를 연결하십시오.



3. TV를 켜고 TV 모델에 따라 TV 입력 비디오 소스나 PC 소스를 선택하십시오.

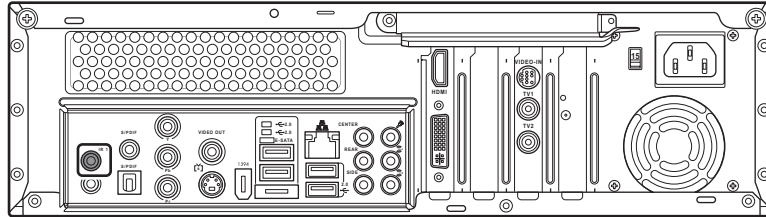
참고:

컴퓨터 케이스에 있는 환기창은 통풍을 위한 것입니다. 이 환기창들을 막거나 덮지 마십시오.

외부 장치에 적외선 수신기 연결하기

셋톱 박스나 모니터와 같은 외부 장치를 연결하려면, 다음 지시사항을 따르십시오:

1. IR 케이블의 한쪽 끝을 미디어 센터 PC 뒤에 있는 IR 포트에 연결하십시오.
2. 그림에 보이는 것처럼 IR 케이블의 다른 한쪽 끝을 셋톱 박스에 연결하십시오.



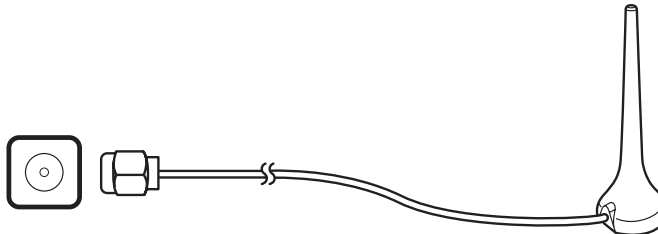
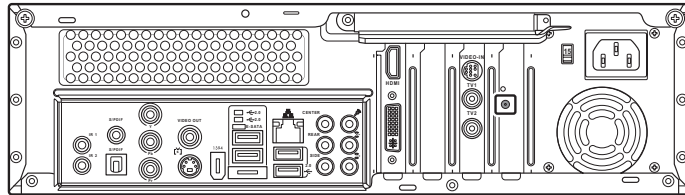
참고:

연결을 위해 사용 가능한 IR 포트가 2개 있습니다.

무선 LAN 안테나 설치하기

외부 안테나를 무선 LAN 카드에 연결하려면, 다음 지시사항을 따르십시오:

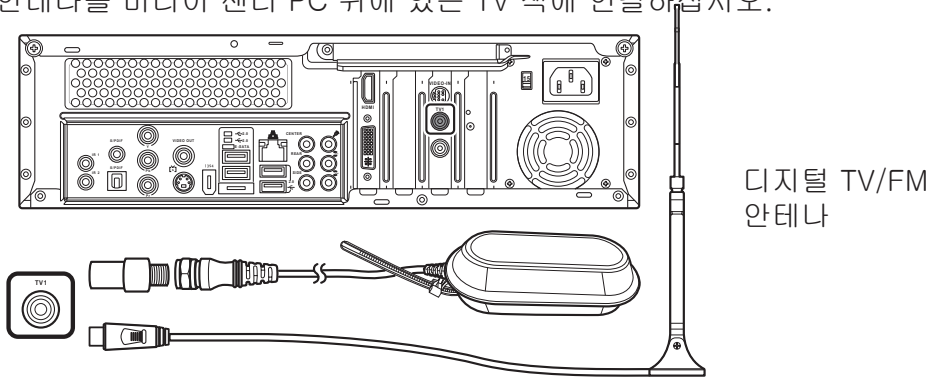
1. 제공된 외부 안테나를 미디어 센터 PC 뒤에 있는 무선 LAN 커넥터에 꼭 조일 때까지 고정시키십시오.
2. LED 표시등이 WLAN 신호의 수신을 나타내면서 깜박이기 시작합니다.



디지털 TV/FM 안테나 설치하기

디지털 TV/FM 안테나를 연결하려면, 다음 지시사항을 따르십시오:

1. NTSC를 PAL 변환기에 고정시키고 다시 PAL 변환기를 디지털/FM 안테나에 고정시키십시오.
2. 디지털 TV /FM 안테나를 미디어 센터 PC 뒤에 있는 TV 잭에 연결하십시오.



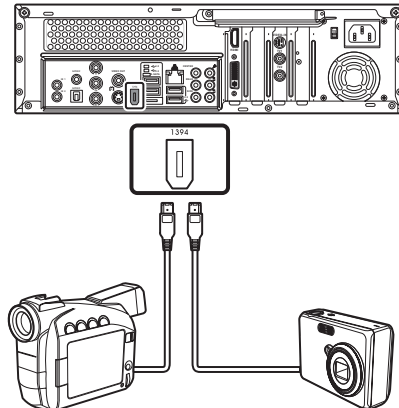
참고:

- 그림에 보이는 안테나는 설명을 위한 것입니다. 포장된 안테나는 다를 수 있습니다.
- 수신 신호와 디지털 TV/FM 안테나의 품질은 지역에 따라 다를 수 있습니다.

디지털 비디오 카메라에 연결하기

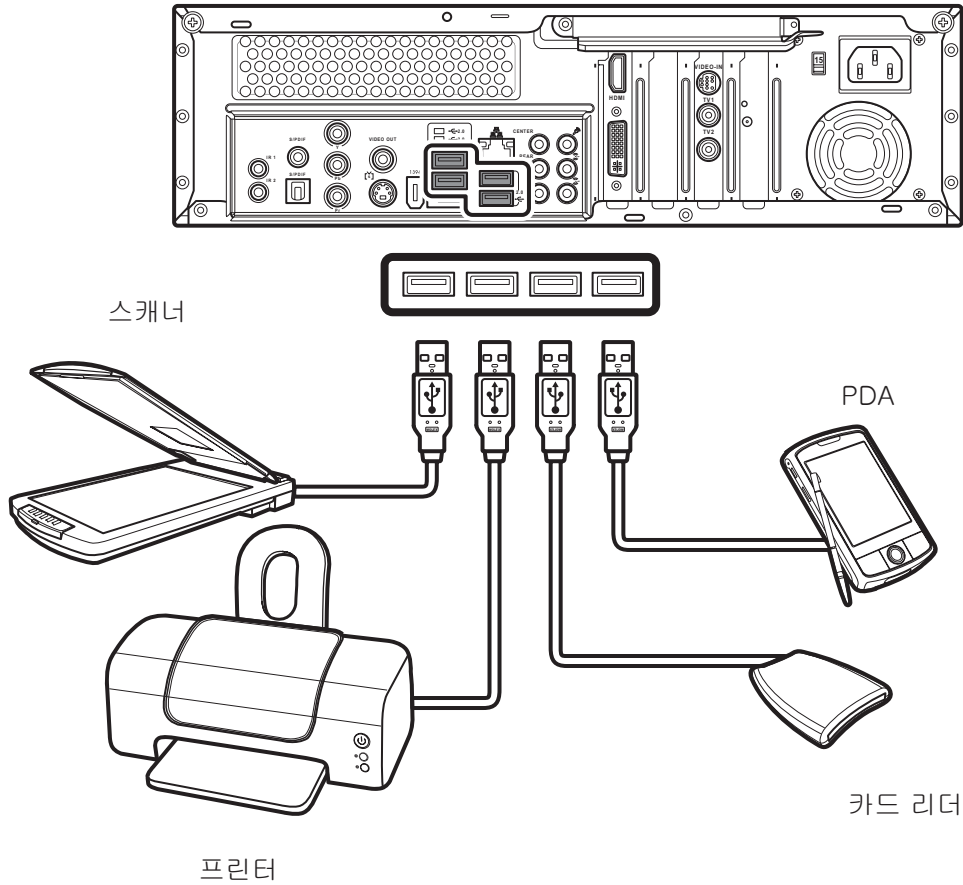
디지털 카메라나 디지털 비디오 카메라를 연결하려면, 다음 지시사항을 따르십시오:

1. 미디어 센터 PC를 켜고, Windows XP가 시작되기를 기다리십시오.
2. 비디오 카메라 전송 케이블을 카메라에 연결하고, 미디어 센터 PC에 있는 프리 USB 포트나 IEEE 1394 (FireWire) 포트에 연결하십시오.
3. '새 하드웨어를 찾았습니다'라는 메시지가 나타납니다. 새로 찾은 장치를 위해 필요한 세팅을 만들려면 on-screen 지시사항을 따르십시오. 설치가 끝났을 때, 카메라 사용 준비가 됐다는 메시지가 나타납니다.



다른 장치에 연결하기







프린터, 스캐너, 카드 리더, 그리고 PDA와 같은 다른 주변 장치들 또한 미디어 센터 PC에 연결될 수 있습니다.



스피커와 음향 옵션 구성하기

Asus 미디어 센터 PC는 다양한 오디오 옵션, 음향 연결, 그리고 스피커 구성을 지원합니다. 스테레오 스피커 2개를 사용하거나 멀티-채널 오디오 스피커 시스템을 사용하기 위해 PC를 설치해도 됩니다. 스피커 시스템을 PC에 연결하고, 음향 출력을 위해 오디오 소프트웨어를 구성하십시오.

Asus 미디어 센터 PC는 PC 뒤에 있는 6개의 커넥터를 포함합니다. PC에 아날로그 7.1 오디오 시스템까지 연결할 수 있습니다.

음향 커넥터	제품 사양
	라인 측면 (회색)은 8개 스피커 시스템에 있는 측면 스피커에 연결합니다. (7.1)
	라인 중앙 (오렌지)은 멀티-채널 오디오 구성에 있는 중앙/서브우퍼 스피커에 연결합니다.
	라인 후면 (검정색)은 멀티-채널 오디오 구성에 있는 후면 스피커에 연결합니다.
	라인 출력 (라임 그린)은 정면 스피커에 연결합니다.
	라인 입력 (빨간색)은 PC에 입력하기 위한 CD 플레이어와 같은 아날로그 오디오 장치에 연결합니다.
	Mic (밝은 파란색)은 마이크에 연결합니다.

오디오

스피커 구성

다음의 지원된 구성을 위해 미디어 센터 PC를 설치해도 됩니다:

이름	스피커 시스템
헤드폰	없음.
2 (스테레오)	왼쪽 스피커, 오른쪽 스피커.
2.1	왼쪽 스피커, 오른쪽 스피커, 그리고 서브우퍼
4.1	전면 스피커 2개, 후면 스피커 2개, 그리고 서브우퍼.
6/ 5.1	전면 스피커 2개, 후면 스피커 2개, 중앙 스피커, 그리고 서브우퍼.
8/ 7.1	전면 스피커 2개, 후면 스피커 2개, 측면 스피커 2개, 중앙 스피커, 그리고 서브우퍼
홈 오디오 시스템	홈 스테레오 또는 앰프 내장형 스피커와 함께 있는 홈 시어터 오디오 시스템

스피커 타입

여러분의 PC는 자체 앰프가 내장되어 있는 스피커 시스템만 지원합니다. 자체 앰프가 내장되어 있기 때문에 스피커 시스템은 자체 전원 소스를 가지고 있어야 합니다. 홈 오디오 시스템은 앰프 내장형 스피커를 요구하지 않습니다.

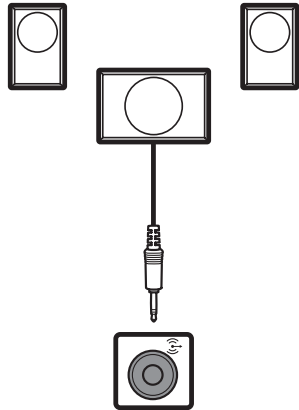
스테레오 스피커 세트는 좌-우 두 채널 스피커 시스템입니다. 멀티-채널 오디오 스피커는 좌-우 정면과 좌-우 후면 채널을 가지고 있고, 서브우퍼와 중앙 스피커를 포함합니다. 측면 스피커는 더 많이 향상된 시스템에 포함되어 있습니다. 서브우퍼는 강화된 저음을 제공합니다.

“.1”은 서브우퍼를 가리킵니다. 예를 들면, 7.1 채널은 8개 스피커 모드를 참고하고 전면 스피커 2개(좌-우), 측면 스피커 2개(좌-우), 중앙 스피커 그리고 서브우퍼를 사용합니다.

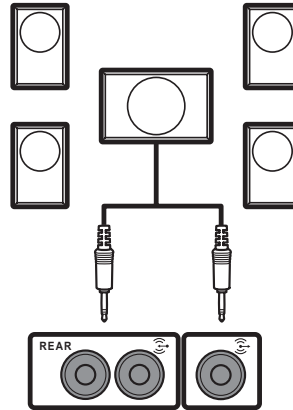
오디오 스피커 연결하기

스피커 시스템에 따라 오디오 스피커를 미디어 센터 PC에 연결하려면 아래 그림을 참고하십시오. PC에 스피커를 연결한 후, 미디어 센터 PC를 위한 음향 출력을 위해 오디오 세팅을 구성하십시오.

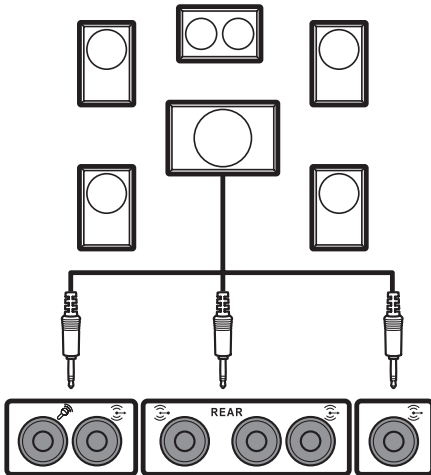
스피커 2개



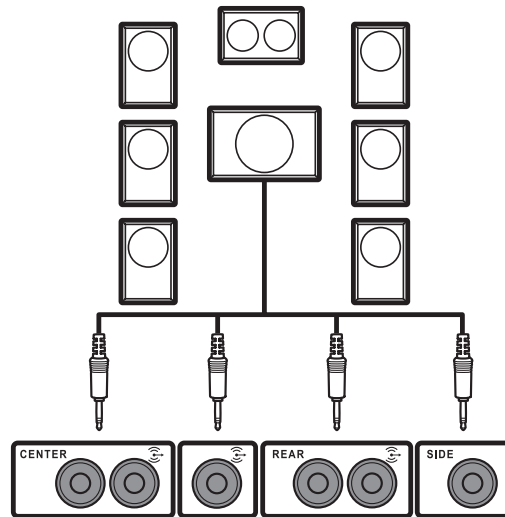
스피커 4개



스피커 5개와 서브우퍼



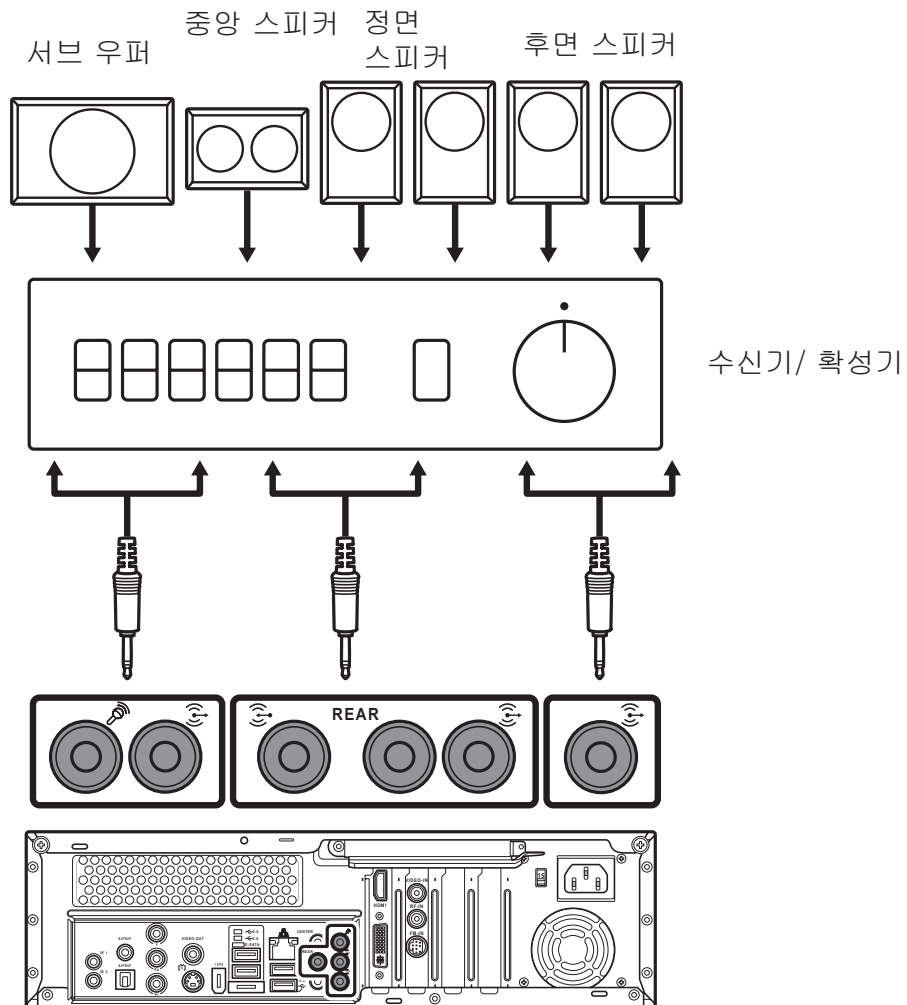
스피커 7개와 서브우퍼



홈 오디오 시스템에 미디어 센터 PC를 연결하기

기존 스피커를 이용해서 미디어 센터 PC를 홈 스테레오나 홈 시어터 멀티-채널 오디오 수신기/확성기에 연결할 수 있습니다.

대부분의 홈 수신기/확성기는 RCA-타입 입력 시스템을 가지고 있습니다. 수신기/확성기를 미디어 센터 PC(선택)에 연결하려면 Y 어댑터 케이블을 요구할 수 있습니다.



오디오 출력 세팅 구성하기

미디어 센터 PC에 설치된 사운드맥스 소프트웨어나 미디어 센터 소프트웨어로 스피커 오디오 출력을 구성할 수 있습니다.

사운드맥스 오디오 마법사로 오디오 출력 구성하기

미디어 센터 PC에 스피커를 설치한 후, 오디오 세팅을 구성하려면 다음 지시사항을 따르십시오:







1. Windows 시작 메뉴를 시작하려면 태스크바의 시작 버튼을 클릭하십시오. .
2. 모든 프로그램 버튼을 클릭하십시오.
3. 프로그램을 열려면 사운드맥스 버튼을 클릭하십시오. 사운드맥스 윈도우가 컨트롤 스크린 중 하나와 함께 열립니다.



4. 스피커 시스템을 위해 오디오 출력 세팅을 구성하려면 작업표시줄에 있는 오디오 마법사 아이콘을 클릭하십시오.
5. 드롭-다운 박스로부터 시스템에 있는 스피커의 숫자를 나타내는 옵션을 선택하십시오.
6. 볼륨 조정 윈도우가 나타납니다. 볼륨 바를 움직이는 것으로 각 스피커의 볼륨을 조정하거나 스크린 가운데에 있는 주 볼륨 조절로 모든 스피커의 볼륨을 동시에 조정하십시오.
7. 다음 버튼을 클릭하십시오. 마이크 볼륨 조정 스크린이 나타납니다. 마이크를 테스트 하려면 마이크 테스트 버튼을 클릭하고 계속 진행하려면 다음 버튼을 클릭하십시오.
8. 사운드 맥스 오디오 마법사를 종료하려면 마침 버튼을 클릭하십시오.

사운드맥스 작업표시줄 사용하기

사운드 맥스 윈도우는 다음 기능들로 구성됩니다:

1.  오디오 마법사: 오디오 마법사 스크린을 열려면 클릭하고 오디오 출력 세팅을 구성하십시오.
2.  기본값 세팅: 공장 출시 기본값으로 모든 세팅을 복구하려면 클릭하십시오.
3.  선호도 세팅: 선호도 세팅 윈도우를 열고 사용자의 요구에 맞게 세팅을 조정하려면 클릭하십시오.
4.  볼륨 조정: 볼륨 조정 스크린을 보이거나 숨기려면 클릭하십시오.
5.  녹음 세팅: 녹음 세팅 스크린을 보이거나 숨기려면 클릭하십시오.
6.  도움말: 도움말 윈도우를 나오게 하려면 클릭하십시오.

Windows XP 미디어 센터로 오디오 출력 구성하기

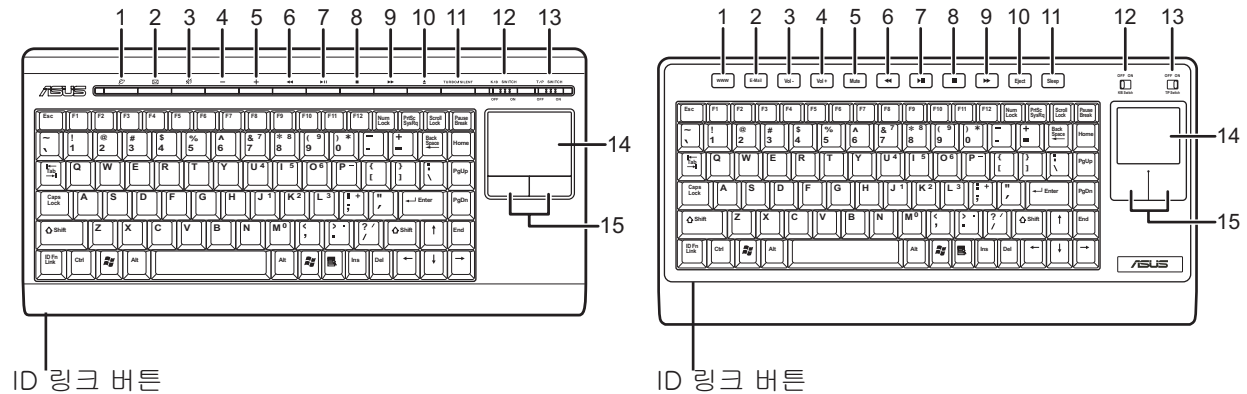
1. 시작 메뉴를 시작하려면 작업표시줄에서 시작 버튼을 누르십시오.
2. 모든 프로그램 버튼을 클릭하십시오.
3. 프로그램을 열려면 Windows XP 미디어 센터 버튼을 선택하십시오. Windows XP 미디어 센터 윈도우가 스크린에 열릴 것입니다.
4. 주 메뉴에서 세팅 버튼을 선택하십시오.
5. 스피커 구성을 선택하고 다음 버튼을 클릭하십시오.
6. 시스템에 있는 스피커의 숫자를 선택하고 다음 버튼을 클릭하십시오.
7. 스피커 오디오 출력을 테스트하십시오. 테스트 결과를 선택하고 계속 진행하려면 다음 버튼을 클릭하십시오.
8. 종료하려면 마침 버튼을 클릭하십시오.

PC 하드웨어 사용하기

무선 키보드 사용하기

미디어 센터 PC는 내장형 수신기/송신기와 함께 무선 키보드를 포함합니다. 키보드 오른쪽 위 코너에 있는 조명은 수신기 활동을 나타냅니다.

특별 키보드 버튼 사용하기



ID 링크 버튼

ID 링크 버튼

특별 키보드 버튼 기능에 익숙해지려면 아래 표를 참조하십시오.

아이템	기능	제품 사양
1.	인터넷	인터넷 브라우저를 열려면 누르십시오.
2.	이메일	이메일 프로그램을 열려면 누르십시오.
3.	목음	오디오를 비활성화하려면 누르십시오.
4.	볼륨 줄이기	볼륨을 줄이려면 누르십시오.
5.	볼륨 높이기	볼륨을 높이려면 누르십시오.
6.	되감기	미디어 파일을 되감으려면 누르십시오.
7.	플레이/일시 중지	미디어 파일을 플레이 또는 일시 중지하려면 누르십시오.
8.	정지	미디어 파일을 정지하려면 누르십시오.
9.	빨리 감기	미디어 파일을 빨리 감으려면 누르십시오.
10.	꺼내기	디스크 트레이를 추출하려면 누르십시오.
11.	터보/목음	터보 / 목음 모드 사이에서 움직이려면 누르십시오.
12.	키보드 전원 버튼	키보드 전원 켜기/끄기를 하십시오.
13.	터치 패드 버튼	터치 패드 기능을 활성화/비활성화 시킵니다.
14.	터치 패드	표면을 가로 질러 손가락 끝을 드래깅함으로써 마우스를 움직이게 합니다.
15.	좌/우 클릭 버튼	일반 마우스의 좌/우 클릭 버튼으로서 역할을 합니다.

참고:

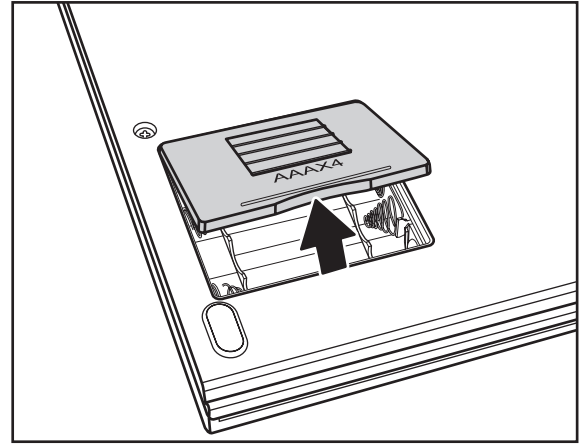
위 그림에 보이는 키보드는 설명을 위한 것입니다. 포장된 키보드는 다를 수 있습니다.

참고:

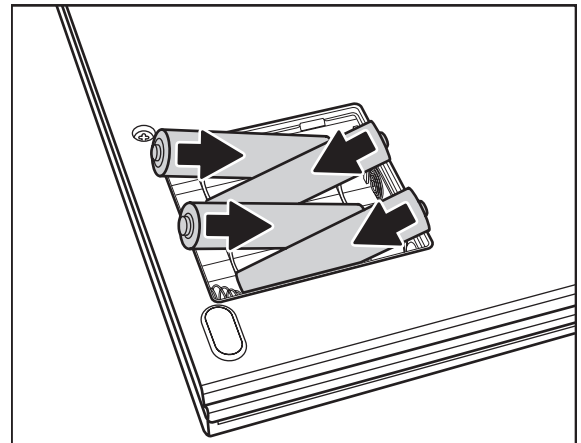
- 만약 미디어 센터 PC가 무선 키보드를 인식할 수 없다면, 정면부 패널의 왼쪽 위 코너에 있는 연결 버튼과 키보드 왼쪽 아래 코너에 있는 ID 링크 버튼을 누르십시오.
- 미디어 센터 PC 작동 모드 기능은 2가지입니다:
 - **묵음 모드:** 묵음 모드에서, 시스템은 자동으로 CD-ROM 전송률과 CPU와 GPU의 속도를 줄입니다. 이 기능은 사용자에게 조용한 작업 환경을 제공합니다. 이것은 기본값 시스템 모드입니다.
 - **터보 모드:** 터보 모드에서, 시스템은 최적의 성능이 달성 가능한 가장 높은 CD-ROM, CPU 와 GPU 속도를 사용할 것입니다. 이 기능은 비디오 게임 또는 멀티-기능 미디어 프로세싱과 같은 높은 성능을 요구하는 업무에 이상적입니다.
- 무선 키보드는 전원 소모를 줄이기 위해 전원 절약 모드를 구비하고 있습니다. 전원 키보드가 3분 이상 쉬는 경우, 전원 절약 모드가 됩니다. 정상 모드로 돌아가려면 아무 키(터치 패드와 좌/우 클릭 버튼 포함)나 누르십시오. (전원 절약 모드에서, 배터리 소모는 정상 모드의 1.88%입니다.)

키보드 배터리 삽입하기

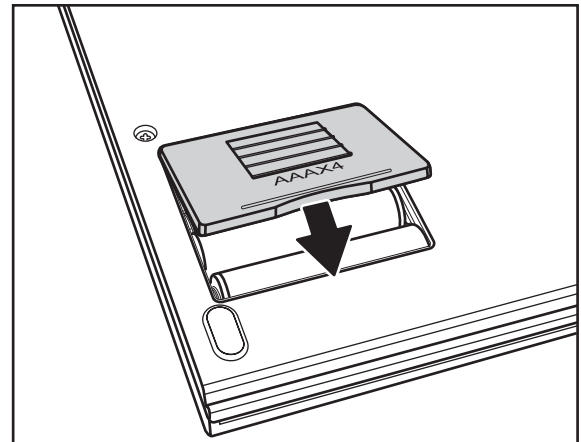
1. 키보드 뒤에 있는 배터리 덮개를 여십시오.



2. 양극에 유의하면서 배터리를 삽입하십시오.



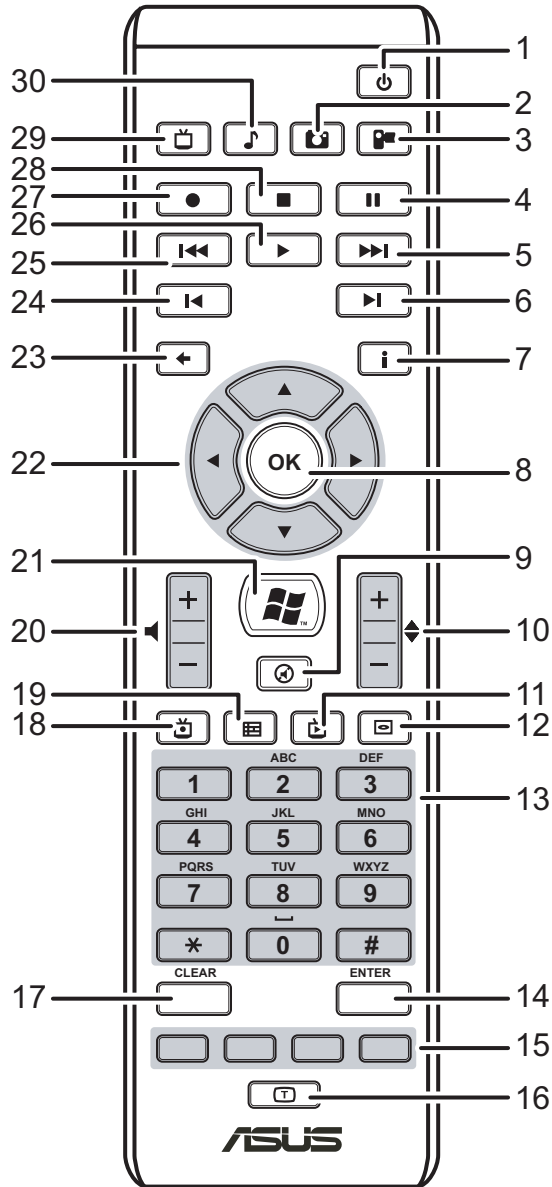
3. 배터리 덮개를 다시 덮으십시오. .



리모컨 사용하기

Windows XP 미디어 센터 프로그램 열기, TV 시청, TV 프로그램 녹화, 전에 녹화한 프로그램 혹은 음악, 비디오, 또는 영화 같은 다른 미디어 파일을 플레이하려면 리모컨을 사용하십시오.

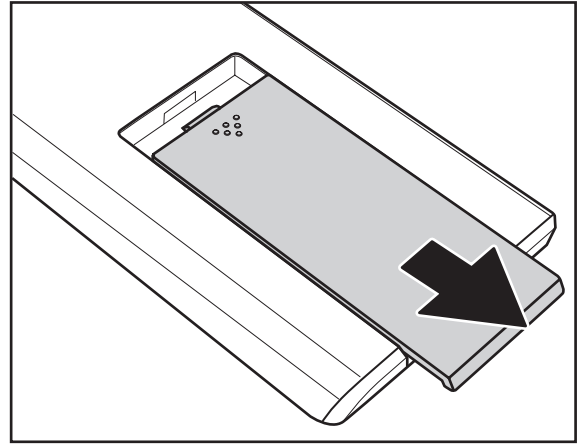
리모컨 버튼 기능에 익숙해지려면 아래 표를 참고하십시오.



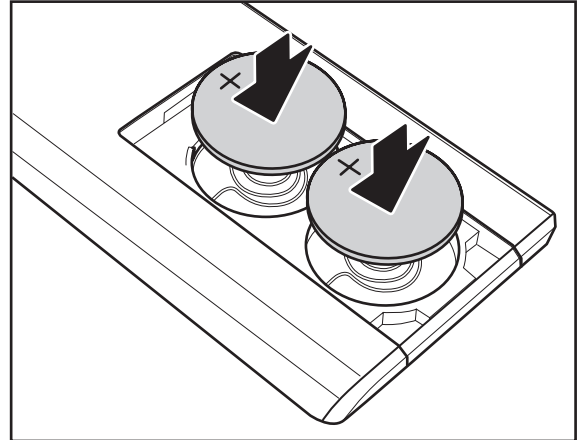
아이템	이름	제품 사양
1.	전원	스크린과 스피커의 전원 끄기를 누르십시오. (부재중 모드)
2.	사진	사진 모드를 입력하려면 누르십시오.
3.	비디오	비디오 모드를 입력하려면 누르십시오.
4.	일시 중지	미디어 재생 중 미디어를 일시중지하려면 누르십시오.
5.	빨리 감기	미디어 파일을 빨리 감기 하려면 누르십시오.
6.	다음 트랙	다음 트랙으로 가려면 누르십시오.
7.	정보	프로그램 정보 화면을 나타나게 하려면 누르십시오.
8.	OK 버튼	기능을 확인하려면 누르십시오.
9.	묵음	오디오를 비활성화하려면 누르십시오.
10.	채널 업/다운	TV를 볼 때 채널을 바꾸려면 누르십시오.
11.	생방송 TV 버튼	생방송 TV 프로그램을 보려면 누르십시오.
12.	DVD 버튼	DVD 소스로 변경하려면 누르십시오.
13.	숫자 키	채널 번호를 직접 입력하려면 누르십시오.
14.	입력	선택을 확인하려면 누르십시오.
15.	문자 다중 방송 버튼	유럽식 모델에서만 사용가능합니다.
16.	Shift 버튼	숫자와 알파벳 사이 입력에서 움직입니다.
17.	지움	입력 정보를 지우려면 누르십시오.
18.	TV 녹화	최근 TV 프로그램 녹화를 시작하려면 누르십시오.
19.	EPG (Electronic Program Guide)	전자 프로그램 가이드 화면을 나타나게 하려면 누르십시오.
20.	볼륨 업/다운	오디오 소리를 높이거나 줄이려면 누르십시오.
21.	Windows 미디어 센터	미디어 센터 프로그램을 열려면 누르십시오.
22.	4가지 방식 네비게이션 키	on-screen 디스플레이 화면을 통해 스크롤하려면 누르십시오.
23.	되돌아가기	이전 페이지로 되돌아가려면 누르십시오.
24.	이전 트랙	이전 트랙으로 돌아가려면 누르십시오.
25.	되감기	미디어 파일을 되감으려면 누르십시오.
26.	플레이	미디어 파일을 재생하려면 누르십시오.
27.	녹화	녹화를 시작하려면 누르십시오.
28.	정지	미디어 파일 재생을 정지하려면 누르십시오.
29.	TV	TV 모드를 입력하려면 누르십시오.
30.	음악	음악 모드를 입력하려면 누르십시오.

리모컨 배터리 삽입하기

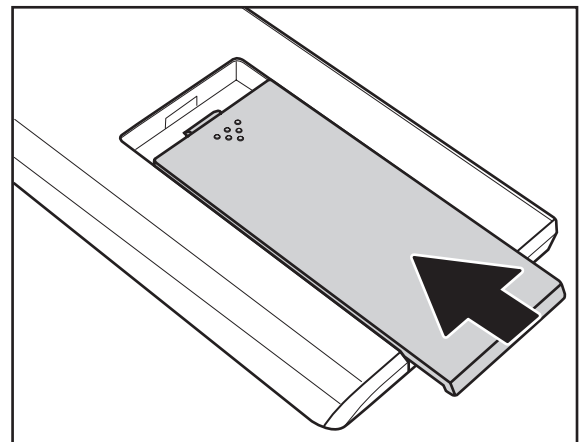
1. 리모컨 뒤에 있는 배터리 덮개를 여십시오.



2. 양극에 유의하며 배터리를 삽입하십시오.



3. 배터리 덮개를 다시 덮으십시오.



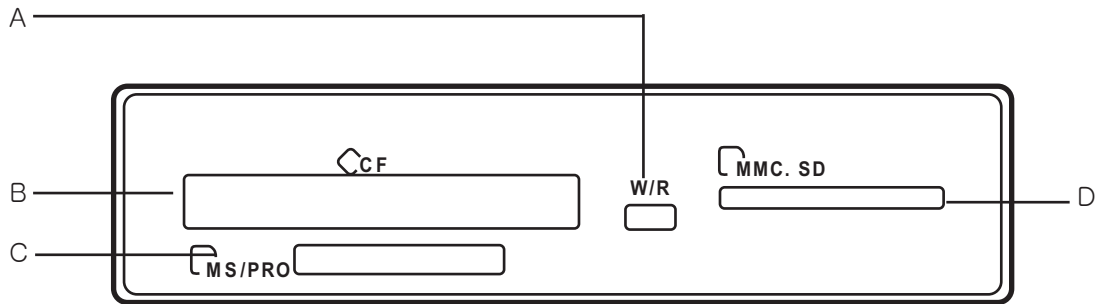
메모리 카드 리더 사용하기

디지털 카메라와 다른 디지털 이미지 장치는 디지털 사진과 미디어 파일을 저장하기 위해 메모리 카드를 사용합니다. 미디어 센터 PC 정면부에 있는 내장형 메모리 카드 리더는 다양한 메모리 카드 드라이브를 읽고 쓸 수 있도록 해줍니다.

하나 또는 그 이상의 카드 슬롯에 미디어를 위치시키면 각 미디어를 독립적으로 사용할 수 있습니다. 한번에 하나의 메모리 카드만을 하나의 슬롯에 위치시키십시오. 각 카드 슬롯은 내 컴퓨터 화면에 보이는 자신만의 드라이버 문자와 아이콘을 가집니다.

메모리 카드 리더 슬롯에 익숙해지려면 아래 그림을 참고하십시오.

메모리 카드 삽입 가이드



아이템	이름	제품 사양
A	작동 LED	데이터가 읽혀지거나 쓰여지는 것을 나타냅니다.
B	CF 슬롯	MD, CF 타입 I/II를 지원합니다.
C	MS/MS 프로 슬롯	MS/MS-프로, MS 듀오, MS 프로 듀오를 지원합니다.
D	MMC/SD 슬롯	SD, 미니 SD (Micro SD 어댑터), MMC, MMC4.x, RS MMC, RSMMC4.x (MMC 모바일 어댑터)를 지원합니다.

메모리 카드 리더를 사용하려면, 다음 지시사항을 따르십시오:

1. 멈출 때까지 적절한 카드 슬롯에 메모리 카드를 부드럽게 삽입하십시오.
2. 오토플레이 윈도우 하나가 열립니다. 메모리 카드에 저장된 파일에 접근하려면 프로그램을 선택하십시오. 미디어 센터 PC는 사용자가 메모리 카드 내용에 접근할 수 있도록 프로그램 하나를 엽니다. 메모리 카드에서 파일을 복사하거나 메모리 카드로 파일을 복사할 수 있습니다.

또는

만약 오토플레이 윈도우가 자동으로 열리지 않는다면, 시작 버튼을 클릭하고, 내 컴퓨터를 선택하고, 그리고 메모리 카드에서 내용을 보이게 하려면 메모리 카드 아이콘을 더블 클릭할 수 있습니다.

3. 메모리 카드로 작업하는 것을 끝마쳤을 때, 드라이브 아이콘에서 마우스 오른쪽 버튼을 클릭하고 축출을 선택하십시오.

작동 표시등이 깜박이는 것을 멈췄을 때, 카드 슬롯에서 메모리 카드를 제거하십시오.

참고:

작동 표시등이 깜박거릴 때는 메모리 카드를 제거하지 마십시오. 제거할 경우 데이터의 손실 또는 메모리 카드 손상을 야기할 수 있습니다.




“DTS CONNECT”, “DTS INTERACTIVE” 그리고 “DTS NEO:PC”는 DTS, Inc의 상표입니다. “DTS”는 DTS, Inc의 등록된 상표입니다.

Windows XP 미디어 센터 시작하기

무선 키보드/마우스, 그리고 리모컨으로부터 Windows XP 미디어 센터의 전권을 갖을 수 있습니다. 가장 편안한 장치를 사용하십시오.

다음 두 가지 방법 중 하나로 Windows XP 미디어 센터를 시작할 수 있습니다:

- 시작 메뉴에서 Windows XP 미디어 센터를 시작하는 경우:
 - 시작 버튼을 클릭하고, 시작 메뉴에서 미디어 센터를 선택하십시오.
- 리모컨으로 Window XP 미디어 센터를 시작하는 경우:
 - 리모컨에 있는 미디어 센터  버튼을 누르십시오.

내 TV 사용하기

내 TV 기능으로 TV 시청을 조정할 수 있습니다. 생방송 TV 프로그램 시청, TV 프로그램 녹화하기, 버퍼링한 TV 보기, 녹화된 TV 보기, 프로그램 정보를 보기 등등을 하려면 내 TV를 사용하십시오.

TV 프로그램 시청

1. 리모컨에 있는 TV 버튼을 누르십시오. 마지막으로 시청한 TV 프로그램이 나타납니다.
2. TV를 보던 중 채널을 바꾸려면 채널 업/다운 버튼을 사용하십시오.

TV 프로그램 녹화하기

1. 녹화하고 싶은 프로그램을 선택하려면 채널 업/다운 버튼이나 숫자 키를 사용하십시오.
2. 녹화를 시작하려면 리모컨에 있는 녹화 버튼을 누르십시오.

TV 녹화 플레이

TV를 보고 있을 때 내 TV는 프로그램 버퍼에 TV 프로그램을 자동으로 녹화합니다. 생방송 TV 프로그램을 일시 정지할 때 여러분이 자리를 떠난 그 시점부터 볼 수 있도록 내 TV는 30분까지 프로그램을 계속 녹화합니다.

1. 생방송 TV 프로그램을 일시중지/정지하고 프로그램 버퍼링을 시작하려면 일시중지/정지 버튼을 누르십시오.
2. 자리를 떠날 때 일시중지/정지 버튼을 눌렀다가 TV 시청을 다시 시작하려면 플레이 버튼을 누르십시오.

참고:

- Broadcast On-the-Go(이동 중 방송) 아래에서 중단 생방송 TV접근 기능은 각각의 신호 설정에 따라 지역마다 다릅니다.
- 공급된 CD에 있는 소프트웨어의 저작권은 각각의 소유주에게 속합니다. Asus는 업그레이드와 고장 수리를 책임지지 않습니다.

내 음악 사용하기

내 음악은 완벽한 음악 체험을 즐길 수 있게 해줍니다. CD 듣기, 아티스트 정보 보기, 음악 플레이리스트 만들기, 장르에 따라 카테고리 만들고 듣기 등을 할 수 있습니다.

미디어 라이브러리에 음악 CD 추가하기

1. 시작 버튼을 클릭하고 시작 메뉴에서 Windows 미디어 플레이어를 선택하십시오.
2. 미디어 플레이어의 미디어 라이브러리에 추가하고 싶은 CD를 삽입하십시오. .
3. 미디어 플레이어 왼쪽에서, CD에서 복사하기를 클릭하고 , 음악 복사하기를 클릭하십시오.
4. 음악 복사 보호 추가하기를 클릭하고, 미디어 센터 PC에 CD 복사를 계속하려면 저작권 설명서 옆에 있는 박스를 확인하십시오.
5. 최신 포맷 설정 변경하기 또는 최신 포맷 세팅 유지하기를 선택하고, 마침 버튼을 클릭하십시오. CD가 하드 드라이브에 복사될 것입니다.

음악 플레이하기

1. 내 음악 화면을 열려면 리모컨에 있는 음악 버튼을 클릭하십시오.
2. 앨범, 아티스트, 플레이리스트, 노래, 또는 장르에 따라 듣고 싶은 음악을 선택할 수 있습니다.

내 그림 사용하기

내 그림은 디지털 사진을 쉽고 재미있게 보고 관리할 수 있도록 해줍니다. 개별적으로 열람하거나 배경 음악이 있는 슬라이드 쇼로도 열람할 수 있습니다.

그림 보기

1. 내 그림 윈도우와 그림 폴더를 열려면 리모컨에 있는 사진 버튼을 누르십시오.
2. 보고 싶은 사진 폴더를 선택하려면 4가지 방식 네비게이션 키를 사용하고 OK 버튼을 누르십시오. 그림 폴더가 열릴 것입니다.
3. 보고 싶은 사진을 하이라이트하고 OK 버튼을 누르십시오.

슬라이드 쇼의 선택한 폴더에서 사진을 플레이하려면 사이드바에서 슬라이드 쇼 플레이를 선택하면 됩니다.

내 비디오 사용하기

내 비디오로 디지털 비디오를 쉽게 즐길 수 있습니다. 비디오를 보고 공유할 수 있으며 또한 이름과 날짜대로 정리할 수 있습니다.

비디오 보기

1. 내 비디오 윈도우와 비디오 폴더를 열려면 리보컨에 있는 비디오 버튼을 누르십시오.
2. 보고싶은 비디오 폴더를 선택하려면 4가지 방식 네비게이션을 사용하고 OK 버튼을 누르십시오. 그러면 비디오 폴더가 열립니다.
3. 보고싶은 비디오를 하이라이트하고 재생을 시작하려면 OK 버튼을 누르십시오.

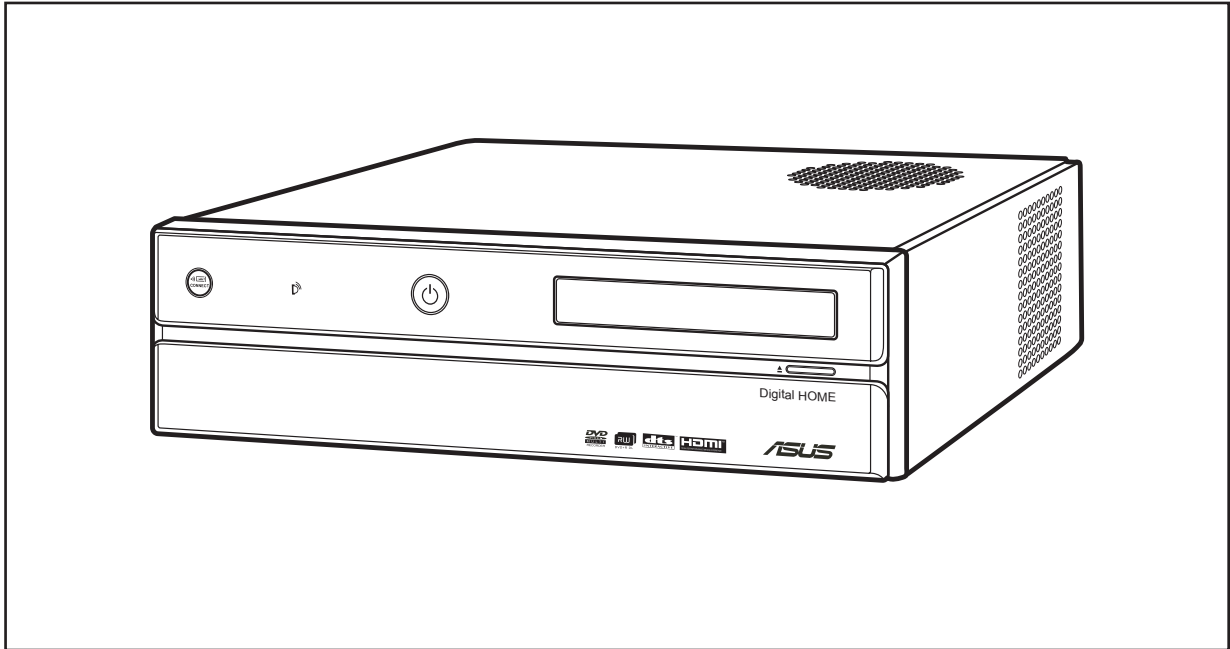
제품 사양

모델	D22	D20
OS	Microsoft Windows XP 미디어 센터 에디션	
Inter ViiV	Inter ViiV v 1.5	
CPU	Intel E6300 1.86 GHz, FSB 1066/800 MHz, 2M L2 Cache	
칩셋	Intel 브로드워터 P965 + ICH18-DH	Intel 브로드워터 G965 + ICH18-DH
그래픽	NVIDIA nForce4 7600 시리즈 (256MB, DDR3)	Intel GMA X3000
메모리	1GB (DDR2 533MB 512MHz x 2), 듀얼 채널	
HDD	250G SATA2, NCQ, 7200rpm	160G SATA2, NCQ, 7200rpm
옵티컬	16X DVD 듀얼 슈퍼멀티 DL	
튜너	라디오가 있는 듀얼 채널 (2A/2D/1A1D), PCI-E x 1	라디오가 있는 Hybrid (아날로그/디지털), PCI
무선	802.11b/g	
LAN	10/100/1000 Mbps	
카드 리더	13-in-1 CF 슬롯: MD, CF 타입 I & II MS 슬롯: MS, MS 프로, MS 듀오, MS 프로 듀오 SD/MMC 슬롯: SD, 미니 SD (Micro SD 어댑터), MMC, MMC4.x, RS MMC, RSMMC4.x (MMS 모바일 어댑터)	
확장 슬롯	1 x PCI-E x 16, 2 x PCI-E x 1, 1 x PCI	
S-ATA	SATA II x 4, eSATA x 2	
오디오	Intel 고성능 Azalia, 7.1 채널	

모델	D22	D20
정면부 패널	USB 2.0 x 2, IEEE 1394 (4-pin) x1, eSATA 포트 x 1, 마이크 잭 x 1, 헤드폰 잭 x 1, 13-in-1 카드 리더 x 1	
후면부 패널	USB 2.0 포트 x 4, IEEE 1394 포트 x 1, eSATA 포트 x 1,	
	비디오 출력 포트: HDMI x 1, 컴포넌트 비디오 포트 (Y/Pb/Pr) x 1, DVI 출력 x1 (for D22) , D-sub 출력 x 1 (for D20), 컴퍼넌트 출력 (RGB) x 1, SCART x 1, DVI to D-sub 어댑터 x 1 (for D22), HDMI -> DVI 어댑터 x 1 (for D20)	
	비디오 입력 포트: 복합 비디오 포트 (RGB) x 1 (어댑터 케이블로), S-비디오 포트 x 1 (어댑터 케이블로), TV 입력 x 2 (for D22), TV 입력 x 1 (for D20)	
	오디오 출력: 7.1 채널 스피커 출력 x 1, S/PDIF 포트 x 1, 동축 커넥터 x 1, 복합 비디오 포트 (L/R) x 1 (어댑터 케이블로)	
	오디오 입력: 복합 비디오 포트 (L/R) x 1 (어댑터 케이블로)	
	10/100/1000 이더넷 포트 x 1	
전원 공급	275 W (PFC)	
제원	357 mm (W) x 95 mm (H) x 398 mm (D)	
<p>제품 사양은 사전 통보 없이 변경될 수 있습니다. 아수스는 최고의 서비스를 제공하기 위해 부품 자재와 액세서리를 교환할 수 있는 권리를 제공합니다.</p> <p>장치의 구매에 관하여 벤더와 함께 패키지 내용을 확인하십시오.</p>		

Türkçe

ASUS



Asus Asteio Media Center PC Kullanım El Kitabı

Model D22/ D20

Türkçe



Türkçe

Önsöz

Asus Asteio Media Center PC'yi satın aldığınız için tebrikler. Bu elkitabını dikkatlice okuyun ve ileride referans olması için güvenilir bir yerde saklayın.

Bu elkitabı hakkında

Bu elkitabının içeriğinin doğru olması için yapılan her çalışma doğru ve günceldir. Ancak, içeriğin doğru olduğu yönünde herhangi bir garanti verilmemektedir ve üretici firma önceden haber vermeden değişiklik yapma hakkını saklı tutmaktadır.

Telif hakkı bilgisi

Burada tanımlanan ürünler ve yazılım da dahil olmak üzere bu elkitabının hiçbir bölümü bir alma sisteminde çoğaltılamaz, aktarılamaz, çözülemez veya saklanamaz ya da satın alanın yedeklemek için sakladığı belgeler haricinde herhangi bir şekilde veya yolla üretici firmanın açık yazılı izni olmadan herhangi bir dile çevrilemez.

Bu elkitabında adı geçen ürünler ve kurum isimleri ilgili şirketlerinin tescilli ticari markaları veya telif haklarına sahip olabilir veya olmayabilir ve ihlal etme gibi bir durum amaçlanmadan yalnızca sahibinin çıkarına olmak üzere tanımlama veya açıklama amacıyla kullanılmıştır. Tüm ticari markalar ilgili sahibinin mülkiyetindedir.

Telif hakkı © 2006. Tüm hakları saklıdır.

CATV Sistem Kurucusu için Not

Bu hatırlatıcı CATV sistemleri kurucusunun dikkatini Ulusal Elektrik Kodunun 820-93 Bölümüne çekmek için kullanılmakta olup doğru topraklama için kılavuz bilgiler sunmaktadır ve özellikle Koaksiyel kablo korumasının binanın topraklama sistemine bağlandığını belirtin, çünkü kablo girişine yakın bir noktada olması pratiktir.

Güvenlik Bilgisi

Asus Asteio Media Center PC'niz bilgi teknolojisi cihazının en son güvenlik standartlarını karşılamak için tasarlanmış ve test edilmiştir. Ancak, bu ürünün güvenilir bir şekilde kullanıldığından emin olmak için bu belgede belirtilen güvenlik talimatlarının gözetilmesi önemlidir.

Sisteminizin Ayarlanması

- Asteio Media Center PC'nizi çalıştırmadan önce bu belgedeki tüm talimatları okuyun ve yerine getirin.
- Bu ürünü su yanında veya radyator gibi bir ısı kaynağının yakınında kullanmayın.
- Sistemi dengeli bir çalışma yüzeyine kurun.
- Bilgisayar kasasındaki açıklıklar havalandırma için sağlanmıştır. Bu açıklıkları engellemeyin veya kapatmayın. Çalışma alanınızı kurduğunuzda sistem çevresinde en az 15 cm yeterli boşluk bıraktığınızdan emin olunuz. Bilgisayarın havalandırma açıklıklarına asla herhangi bir cisim sokmayın.
- Media Center PC'niz ile uzatma kablosu kullanırsanız, uzatma kablosuna takılan ürünlerdeki toplam amper oranının amper oranını aşmadığından emin olun.
- Media Center PC'nizde TV tuner, kablo veya uydu alıcısı bulunduğu için, voltaj dalgalanmalarına ve statik şarj oluşumlarına karşı koruma sağlaması için anten veya kablo sisteminin elektrik için topraklandığından emin olun.

Kullanım esnasında bakım

- Güç kablosunun üzerine basmayın veya üzerinde herhangi bir şeyin bulunmasına izin vermeyin.
- Media Center PC'nize su sıçratmayın veya diğer herhangi bir sıvıyı dökmeyin.
- Media Center PC kapatıldığında, küçük miktarda elektrik akımı yine de bilgisayardan geçer. Sistemi temizlemeden önce tüm güç kablolarını ve modem kablolarını elektrik prizlerinden daima çıkarın.
- Sistemi elektrik prizinden çıkarın ve şu durumlarda servisi kalifiye personele yönlendirin:
 - Güç kablosu veya fiş hasar gördü.
 - Sisteme sıvı sıçradı.
 - Çalıştırma talimatları yerine getirildiğinde sistem doğru çalışmaz.
 - Sistem düştü veya kabin hasar gördü.
 - Sistem performansı değişir.

İçindekiler

Önsöz	i
Bu elkitabı hakkında	i
Telif hakkı bilgisi	i
Güvenlik Bilgisi	ii
Sisteminizin Ayarlanması	ii
Kullanım esnasında bakım	ii
Genel Bakış	1
Özellikler	1
Media Center PC'nin Ayarlanması	2
Media Center PC ayarının planlanması	2
Media center PC'nizin kontrol edilmesi	3
Ön Görünüm	3
Arka Görünüm	4
Bağlantıların kurulması	8
TV sinyal kaynağına bağlantı.....	8
TV sinyal kaynağını mevcut ayara bağlamak	10
TV'nin monitör olarak kullanılması	12
Bir TV'ye bağlanmak için kablolar.....	12
Bir TV'ye Bağlantı	12
Harici Aygıtı Enfraruj Alıcısı Bağlamak	16
Kablosuz LAN anteninin kurulması	16
Dijital TV/ FM anteninin kurulumu	17
Dijital video kamerasına bağlanmak	17
Diğer aygıtlara bağlanmak	18
Hoparlörün ve Ses Seçeneklerinin Yapılandırılması	19
Hoparlör yapılandırmaları.....	20
Ses hoparlörlerinin bağlanması.....	21
Media Center PC'nizin ev ses sistemine bağlanması	22
Ses çıkış ayarlarının yapılandırılması	23
SoundMax Ses Sihirbazı ile ses çıkışının yapılandırılması	23
Windows XP Media Center ile ses çıkışının yapılandırılması	24
PC donanımının kullanımı	25
Kablosuz klavyenin kullanımı	25
Özel klavye düğmelerinin kullanımı	25

Klavye pillerinin takılması	27
Uzaktan kumandanın kullanılması	28
Uzaktan kumanda pillerinin takılması	30
Bellek kartı okuyucusunun kullanılması	31
Bellek kartı takma kılavuzu	31
Windows XP Media Center'in Başlatılması	33
“TV'im”in Kullanılması	33
Bir TV programının izlenmesi	33
TV programlarının kaydedilmesi	33
TV kayıtlarının çalınması	33
Müziğim'in Kullanımı	34
Müzik CD'lerini Ortam Kitaplığına Ekleme	34
Müzik Çalmak	34
Resimlerimin Kullanımı	34
Resimlerin görüntülenmesi	34
Videolarımın Kullanılması	35
Videoların izlenmesi	35
Teknik özellikler	35

Genel Bakış

Asus Asteio Media Center PC, güçlü bilgisayara ve zengin eğlence kapasitesi sunar. Diğer programlar kullanılırken Windows XP Media Center'ı çalıştırabilir veya diğer programları kullanmadan Windows XP Media center'ı tam ekran modunda çalıştırabilirsiniz. Media Center uzaktan kumandasını diğer ev eğlence sistemleri için kullandığınız şekilde kullanın. TV programlarını izlemek ve kaydetmek, video ve müzik oynatmak ve resimleri izlemek için uzaktan kumandayı ve Media Center'ı kullanabilirsiniz.

Windows XP Media Center ve diğer programları çalıştırmak için kablosuz klavye ve fare kullanın.programs.

Özellikler

- AV Eğlencesi
 - Canlı TV programları izlemek ve kaydetmek
 - DVD'lerin ve ev videolarının oynatılması
 - Müzik dosyalarının dinlenmesi
 - Resimlerin izlenmesi ve düzenlenmesi
- Bağlanabilirlik
 - Kablosuz aygıtları kullanarak bağlanma
 - Video konferansı ve konferans arama özelliği (Bu özellik için bir web kamerası ve Skype yazılımı gereklidir.)
 - Farklı kanalları paylaşmak için veri dolaşımı
- Kablosuz klavye için uzun mesafe uzaktan kumanda desteği (30 feet)
- Veri aktarımı için 13'lü kart okuyucu özelliği (MD, CF tür I & II, MS, MS-Pro, MS-Duo, MS- Pro Duo, SD, Mini SD, MMC, MMC4.x, RS MMC, RSMMC4.x)

Media Center PC'nin Ayarlanması

Media Center PC ayarının planlanması

Media Center PC'nizi kurmaya başlamadan önce bu bağlantıların tamamının seçtiğiniz yerde bulunduğundan emin olmak için birkaç dakika ayırın.

- **İnternet bağlantısı**

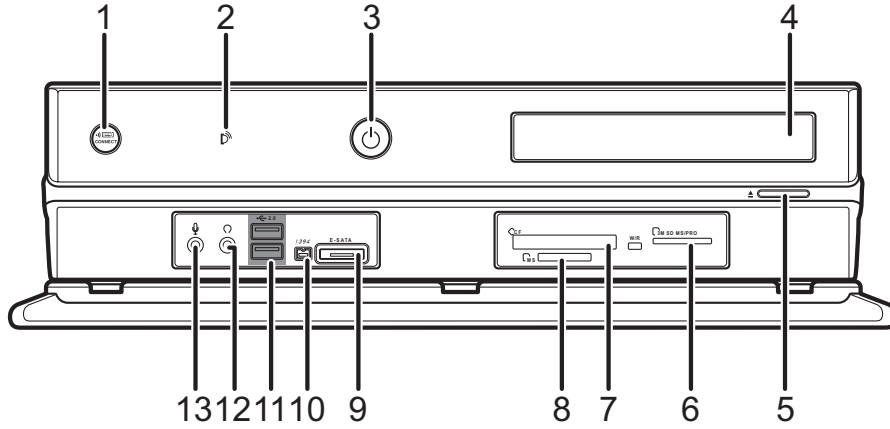
Bilgisayarınızın EPG (Elektronik Program Kılavuzu)'nu güncellemesi ve internete erişim sağlaması gereklidir. Windows XP Media Center yazılım kurulumunu başlatmadan önce çevirmeli veya geniş bant internet bağlantısına erişim sağladığınızdan emin olunuz. İnternet bağlantınızı ayarlamak hakkında daha fazla bilgi için internet servis sağlayıcısı ile temasa geçiniz.

- **Video kaynağı**

Media Center PC ayarını başlatmadan önce video kaynağına erişim sağladığınızdan emin olunuz. Media Center PC'niz koaksiyal veya S-video kablosundan video girişi alabilir. Video kaynağı genellikle antenden, direkt kablo TV bağlantısından, bir kablo kutusundan veya uydu alıcısından gelmektedir. Kablo kutuları ve uydu alıcıları ayrıca set-top kutuları olarak da bilinmektedir.

Media center PC'nizin kontrol edilmesi

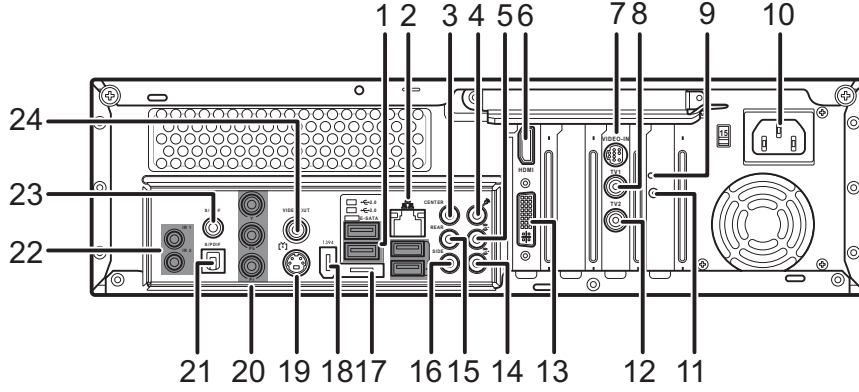
Ön Görünüm



Öğe	Komponent	Açıklama
1	ID Link alıcısı	Kablosuz klavye ID Link ayarı için kullanın.
2	Enfraruj alıcı	Uzaktan kumandadan Enfraruj (IR) sinyallerini alır.
3	Güç Düğmesi	PC'nizi açmak veya kapatmak için basın.
4	Kaydedilebilir CD-ROM/ DVD sürücüsü	Ses CD'lerini dinlemek, oyunları ve programları kurmak, DVD'leri izlemek ve büyük dosyaları kaydedilebilir CD'lere ve DVD'lere yüklemek için bu sürücüyü kullanın.
5	CD/DVD sürücü çıkarma düğmesi	CD/DVD tepsisini açmak için basın.
6	SD/MMC Pro kartı okuyucusu	Dosyaların dijital aygıttan Media Center PC'ınıza taşınabilir bellek kartı sürücüsü ile aktarın.
7	CompactFlash / MicroDrive kartı okuyucusu	Dosyaların dijital aygıttan Media Center PC'ınıza taşınabilir bellek kartı sürücüsü ile aktarın.
8	MS kart okuyucusu	Dosyaların dijital aygıttan Media Center PC'ınıza taşınabilir bellek kartı sürücüsü ile aktarın.
9	E-SATA portu	Bu porta harici bir aygıt takın.
10	IEEE 1394 portu	Örneğin dijital kamerayı 6 pinli IEEE 1394 portuna takmak için bir IEEE 1394 aygıtı takın.
11	USB portu * 2	USB aygıtlarını (örneğin USB yazıcısı, kamera, tarayıcı veya klavye) bu portlara takın.
12	Kulaklık jakı	Amplifikatörlü hoparlörleri veya kulaklıkları bu jaka takın.
13	Mikrofon jakı	Ses dosyalarını kaydetmek veya aktarmak için harici bir mikrofonu takın.

Arka Görünüm

Asteio D22



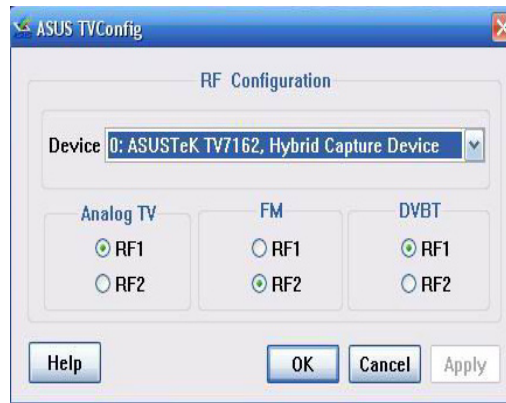
Öge	Komponent	Açıklama
1.	USB portları x 4	USB aygıtlarını (örneğin USB yazıcısı, kamera, tarayıcı veya klavye) bu portlara takın.
2.	Ethernet jakı	10/100/1000 Ethernet ağ kablosunu bu jake takın.
3.	Orta Analog Ses Çıkış jakı (Hat Çıkışı)	Güç verilmiş, orta/subwoofer hoparlörlerini veya harici ses amplifikatörünü bu jake takın.
4.	Mikrofon jakı	Ses dosyalarını kaydetmek veya aktarmak için harici bir mikrofonu takın.
5.	Ses Çıkış jakı	Ön hoparlörler için hat çıkışı.
6.	HDMI	Bir HDMI (Yüksek Çözünürlükte Multimedya Arayüzü) aygıtını bu porta takın.
7.	Video Girişi	Video kaynağından gelen koaksiyal kabloyu bu jake takın.
8.	TV 1	Bu porta sinyal kablosu takın. (Kullanıcı tarafından tanımlanabilir)
9.	LED göstergesi	Kablosuz LAN kartının çalıştığını gösterir.
10.	Güç giriş jakı	Bu porta güç kablosu takın.
11.	WIFI Anten konektörü	Bu porta kablosuz LAN anteni takın.
12.	TV 2	Bu porta sinyal kablosu takın. (Kullanıcı tarafından tanımlanabilir)
13.	DVI portu	TV/Monitör için dijital video çıkış konektörü takın.
14.	Ses giriş Jakı	CD oynatıcı gibi bir analog ses aygıtını PC'ye giriş için bu jake takın.
15.	Arka hoparlör jakı	Çoklu kanal ses yapılandırmasındaki arka hoparlörleri takın.
16.	Yan hoparlör konektörü	Yan hoparlörleri sekiz hoparlör sistemine takın.
17.	E-SATA portu	Media Center PC'ye harici sürücü takın.

Öge	Komponent	Açıklama
18.	IEEE 1394 portu	Örneğin dijital kamerayı 6 pinli IEEE 1394 portuna takmak için bir IEEE 1394 aygıtı takın.
19.	S-video çıkış portu	Televizyona bağlamak için bu porta S-video kablosu takın.
20.	Komponent video portları	Televizyona bağlamak için komponent video kablosuna takın.
21.	S/PDIF portu (optik)	Dijital ses aktarımı için bu jake bir optik (Toslink) dijital ses kablosu takın.
22.	IR portları x 2	Kanalları değiştirmek için set-top kutusuna uzaktan kumandadan girdi göndermek için IR kontrol kablolarını takın.
23.	S/PDIF portu (RCA)	Dijital ses aktarımı için bu jake bir RCA kablosu takın.
24.	Video Çıkış portu	Televizyonu bağlamak için bu jake bir RCA kablosu takın.

Not:

TV1 ve TV2 için giriş sinyali seçmek üzere TVConfig yazılımını kullanın.

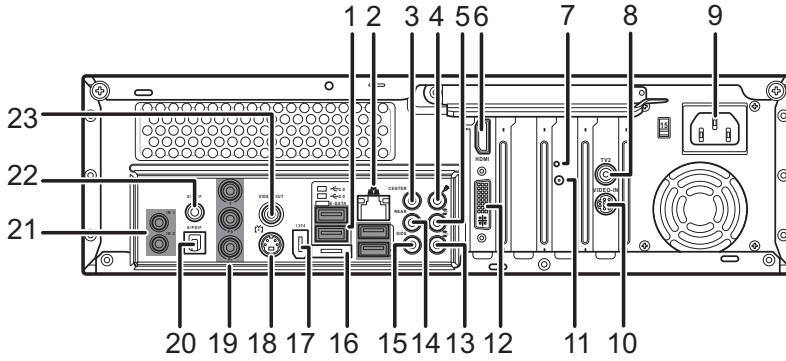
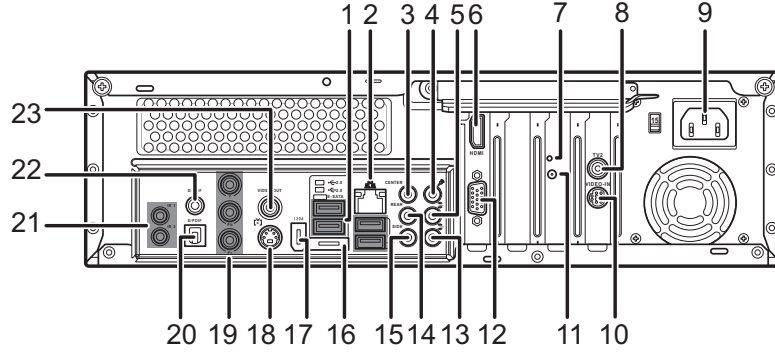
Media Center PC'nizde Asus TVConfig özelliğini kullanarak TV ayarlarını yapılandırın. Masaüstündeki kısayol simgesine veya Başlat menüsündeki Programlara tıklayarak Asus TVConfig programını açın. İndirmeli menüden aygıtı seçin ve Analog TV, FM ve DVBT kanalları için sırasıyla ayarları kontrol edin.



Not:

TVConfig işlevi sadece D22'de vardır.

Asteio D20



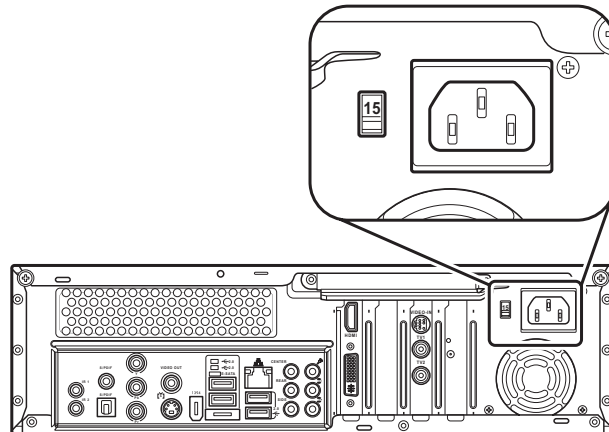
Türkçe

Öge	Komponent	Açıklama
1.	USB portları x 4	USB aygıtlarını (örneğin USB yazıcısı, kamera, tarayıcı veya klavye) bu portlara takın.
2.	Ethernet jakı	10/100/1000 Ethernet ağ kablosunu bu jake takın.
3.	Orta Analog Ses Çıkış jakı (Hat Çıkışı)	Güç verilmiş, orta/subwoofer hoparlörlerini veya harici ses amplifikatörünü bu jake takın.
4.	Mikrofon jakı	Ses dosyalarını kaydetmek veya aktarmak için harici bir mikrofonu takın.
5.	Ses Çıkış jakı	Ön hoparlörler için hat çıkışı.
6.	HDMI	Bir HDMI (Yüksek Çözünürlükte Multimedya Arayüzü) aygıtını bu porta takın.
7.	LED göstergesi	Kablosuz LAN kartının çalıştığını gösterir.
8.	TV	Bu porta TV sinyal kablosu takın.
9.	Güç giriş jakı	Bu porta güç kablosu takın.
10.	Video Girişi	Video kaynağından gelen koaksiyal kabloyu bu jake takın.
11.	WIFI Anten konektörü	Bu porta kablosuz LAN anteni takın.

Öge	Komponent	Açıklama
12.	VGA portu/ DVI portu	TV/Monitör için dijital video çıkış konektörü takın. TV/Monitör için dijital video çıkış konektörü takın.
13.	Ses giriş Jaki	CD oynatıcı gibi bir analog ses aygıtını PC'ye giriş için bu jaka takın.
14.	Arka hoparlör jakı	Çoklu kanal ses yapılandırmasındaki arka hoparlörleri takın.
15.	Yan hoparlör konektörü	Yan hoparlörleri sekiz hoparlör sistemine takın.
16.	E-SATA portu	Media Center PC'ye harici sürücü takın.
17.	IEEE 1394 portu	Örneğin dijital kamerayı 6 pinli IEEE 1394 portuna takmak için bir IEEE 1394 aygıtı takın.
18.	S-video çıkış portu	Televizyona bağlamak için bu porta S-video kablosu takın.
19.	Komponent video portları	Televizyona bağlamak için komponent video kablosuna takın.
20.	S/PDIF portu (optik)	Dijital ses aktarımı için bu jaka bir optik (Toslink) dijital ses kablosu takın.
21.	IR portları x 2	Kanalları değiştirmek için set-top kutusuna klavyeden veya uzaktan kumandadan girdi göndermek için IR kontrol kablolarını takın.
22.	S/PDIF portu (RCA)	Dijital ses aktarımı için bu jaka bir RCA kablosu takın.
23.	Video Çıkış portu	Televizyonu bağlamak için bu jaka bir RCA kablosu takın.

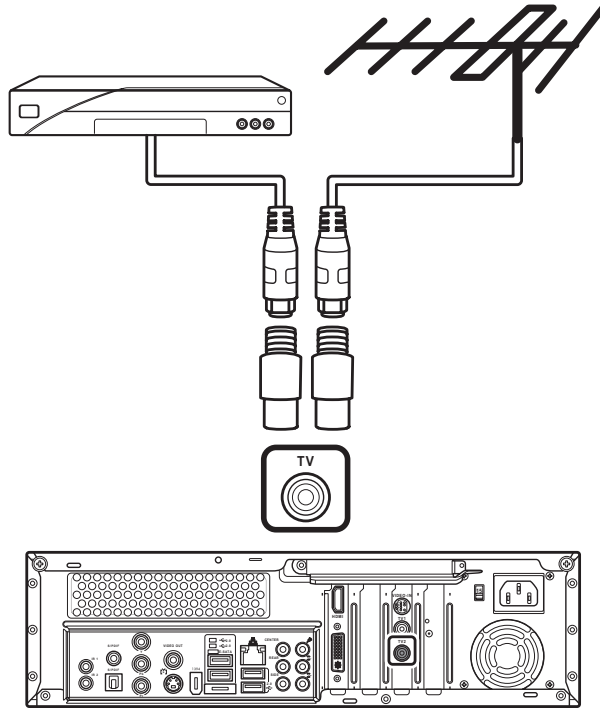
Notlar:

- Konektörler satın aldığınız modele bağlı olarak farklılık gösterebilir.
- Media Center PC'nizi açmadan önce üretici firmanın tavsiye ettiği doğru voltajı kullandığınızdan emin olun. Güç giriş jakının sol panelinde bulunan voltaj etiketini kontrol edin.



TV sinyaline/ Koaksiyal TV'ye bağlanma

Koaksiyal kabloyu (dahil edilmemiştir) direkt kablo bağlantısı, kablo set-top kutusu, uydu set-top kutusu veya anteni gibi bir video aygıttan Media Center PC'nizin arkasındaki TV2 yakına bağlayın.



Media Center PC'nizde Asus TVConfig özelliğini kullanarak TV ayarlarını yapılandırın. Masaüstündeki kısayol simgesine veya Başlat menüsündeki Programlara tıklayarak Asus TVConfig programını açın. İndirmeli menüden aygıtı seçin ve Analog TV, FM ve DVDT kanalları için sırasıyla ayarları kontrol edin.



Not:

TVConfig işlevi sadece D22'de vardır.

TV sinyal kaynağını mevcut ayara bağlamak

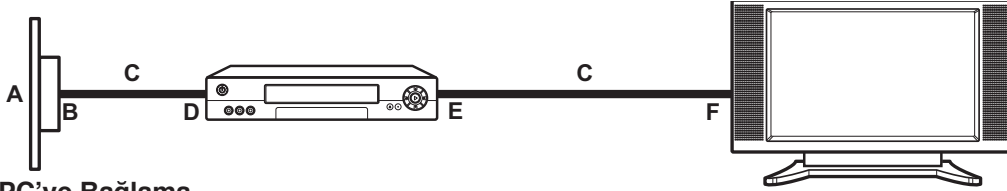
Bu bölüm Media Center PC'yi TV sinyal kaynağınız için olan mevcut ayara nasıl bağlayacağınızı açıklamaktadır.

Koaksiyal kabloyu kullanarak Duvardan VCR'ye TV'ye

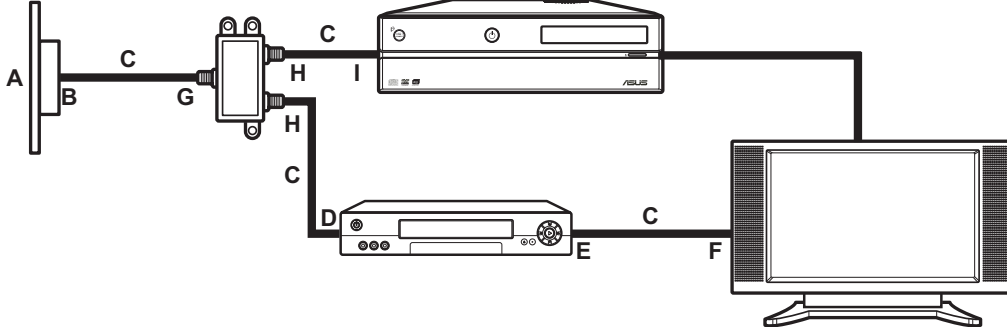
Girişteki koaksiyal kabloyu VCR'ye çıkarın ve koaksiyal kablosu sinyal ayırıcısına bağlayın (dahil edilmemiştir). İki koaksiyal kablosunu ayırıcı çıkışlarına bağlayın.

Bu kablolardan birini VCR girişine takın ve diğerini Media Center PC'deki TV konektörüne bağlayın.

Mevcut kurulum



PC'ye Bağlama



- A Duvar
- B Kablo çıkışı
- C Koaksiyal kablo
- D VCR Girişi
- E VCR Çıkışı
- F TV Girişi
- G Ayırıcı Girişi
- H Ayırıcı Çıkışı
- I Media Center PC'nin arkasındaki TV Giriş jaki

Not:

Ayırıcılar dahil edilmemiştir.

Koaksiyal kabloyu kullanarak Duvardan VCR'ye TV'ye

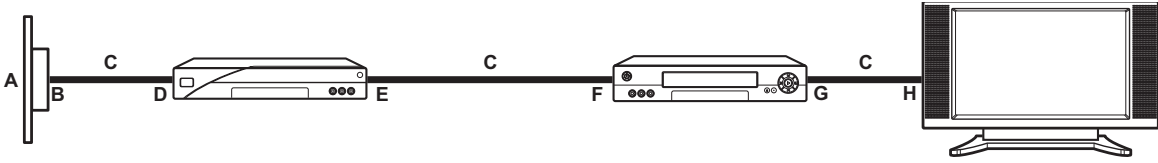
Girişteki koaksiyal kabloyu VCR'ye çıkarın ve koaksiyal kablosu sinyal ayırıcısına bağlayın (dahil edilmemiştir). İki koaksiyal kablosunu ayırıcı çıkışlarına bağlayın.

Bu kablolardan birini VCR girişine takın ve diğerini Media Center PC'deki TV konektörüne bağlayın.

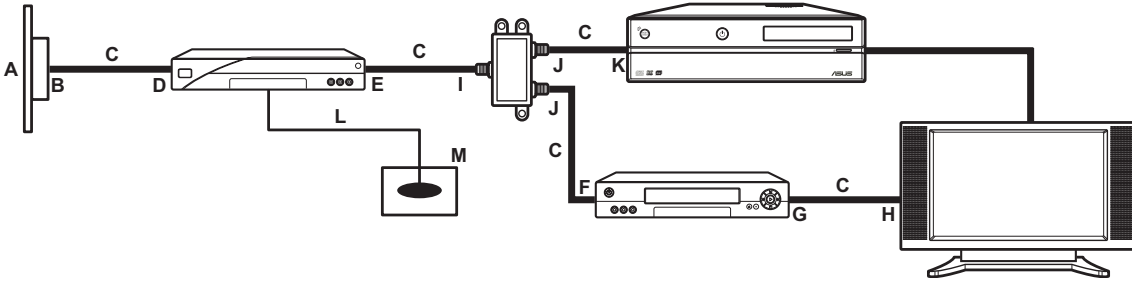
Not:

Koaksiyal kabloyu kullanarak VCR'ye set-top kutusu bağlayın.

Mevcut kurulum



PC'ye Bağlama



- A Duvar
- B Kablo çıkışı
- C Koaksiyal kablo
- D Set-top kutusu/Uydu Girişi
- E Set-top kutusu/Uydu Çıkışı
- F VCR Girişi
- G VCR Çıkışı
- H TV Girişi
- I Ayırıcı Girişi
- J Ayırıcı Çıkışı
- K Media Center PC'nin arkasındaki TV Giriş jakı
- L Uzaktan kumanda sensör kablosu
- M Uzaktan kumanda sensörü

Not:

Ayırıcılar dahil edilmemiştir.

TV'nin monitör olarak kullanılması

PC'nizin TV çıkışı özelliği TV ekranında PC'nizden görüntüyü görmek için bir TV'ye bağlanmanızı etkinleştirir. TV çıkış özelliği ile PC görüntüsünü görüntüleyebilir, DVD filmlerini izleyebilir veya TV'nizde oyun oynayabilirsiniz.

Bir TV'ye bağlanmak için kablolar

Media Center PC'nizi TV'nize bağlamak için bir video kablo ve ses kablosu kullanmanız gereklidir. İhtiyacınız olan video kablosu türü TV modelinize bağlıdır.

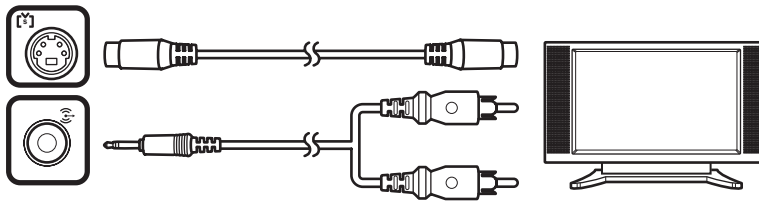
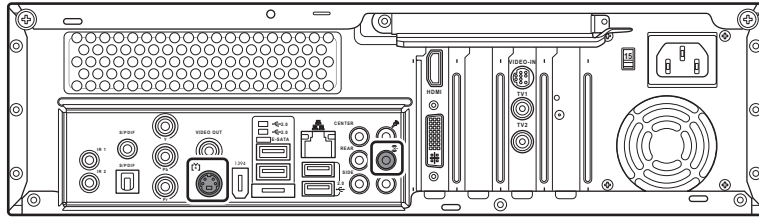
Media Center PC'nizi ayrıca aşağıdaki yollardan birini kullanarak TV'nize bağlayabilirsiniz:

- Stereo sesli S-video
- Stereo sesli komponent videosu (YPbPr)
- Stereo sesli video
- Stereo sesli DVI
- HDMI
- SKART
- Stereo sesli DVI'den VGA'ya dönüştürücü

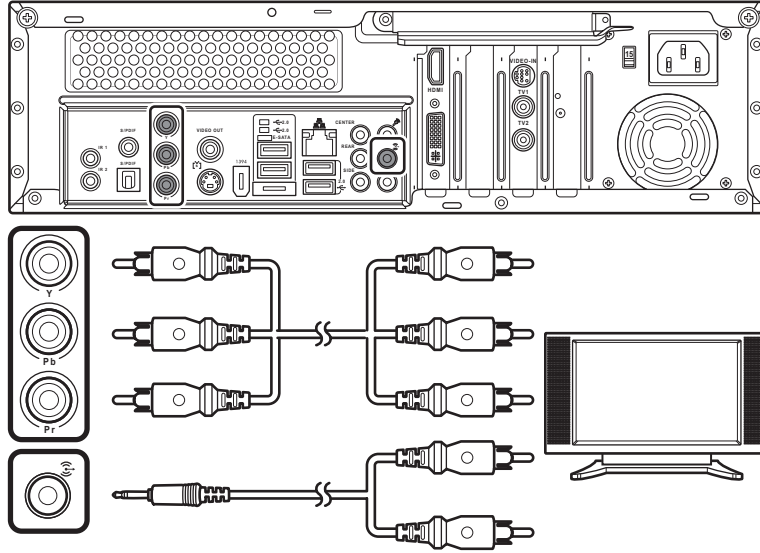
Bir TV'ye Bağlantı

1. Media Center PC'nizi kapatın.
2. TV'nizdeki bağlantı jaklarına bağlı olarak aşağıdaki düzenlemelerden birini kullanarak TV kablosunu bağlayın.

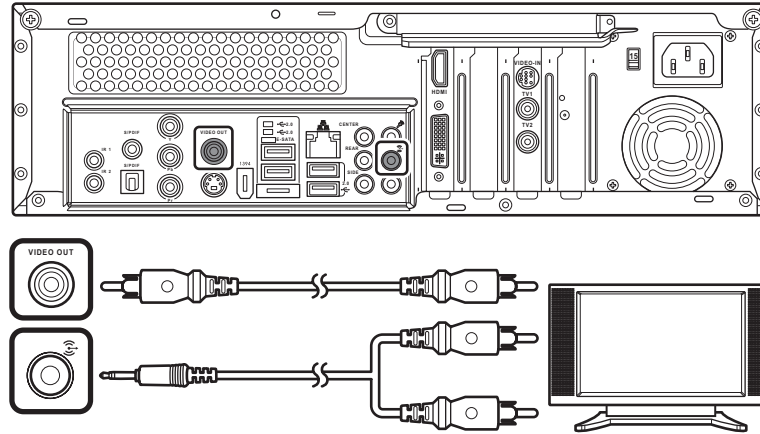
TV'nizde **S-video jakı** varsa TV'nizdeki **S-video Girişi**'nden gelen S-video kablosunu Media Center PC'sinin arkasındaki **S-video Çıkışı** jakına takın.



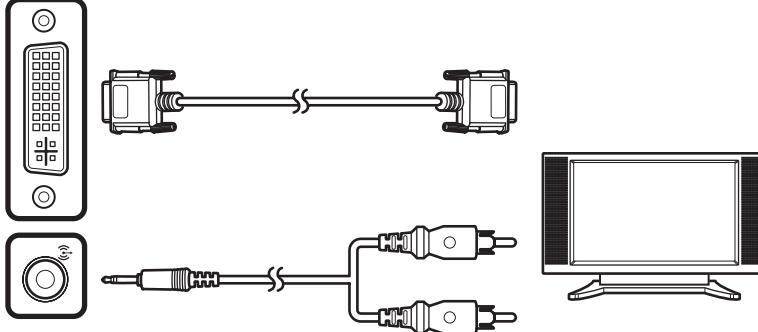
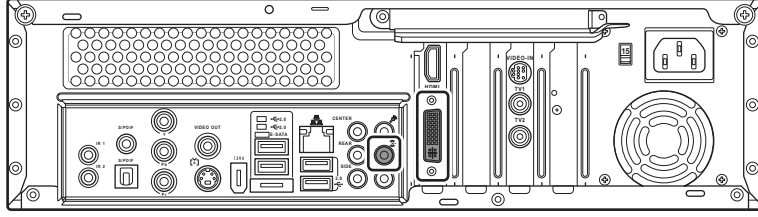
TV'nizde **komponent video giriş** jakı varsa, komponent video kablosunu TV'deki **Komponent Video** jakına ve Media Center PC'nizin arkasındaki komponent video çıkışı jakına takın.



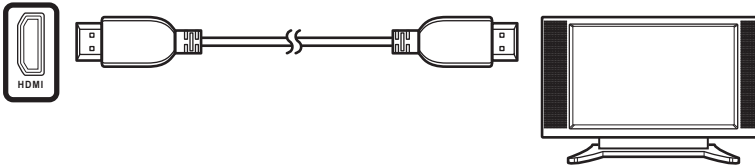
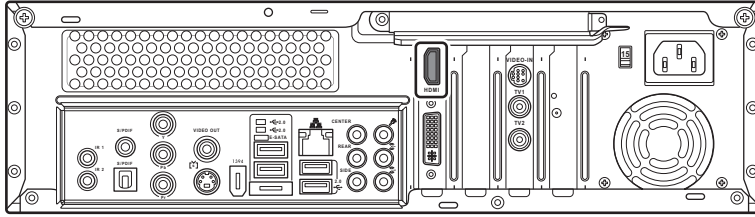
TV'nizde **video giriş** jakı varsa, video kablosunu TV'nizdeki **Video Giriş** jakına ve Media Center PC'nizdeki **Video Çıkış** jakına takın.



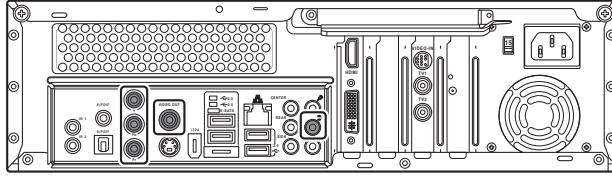
TV'nizde **DVI** konektörü varsa DVI kablosunu TV'nizdeki DVI konektörüne ve Media Center PC'nizin arkasındaki **DVI** konektörüne takın.



TV'nizde **HDMI** konektörü varsa HDMI kablosunu TV'nizdeki HDMI konektörüne ve Media Center PC'nizin arkasındaki **HDMI** konektörüne takın.

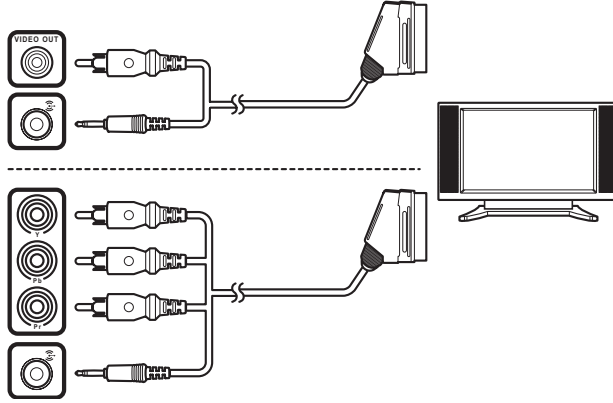


TV'nizde **SKART** konektörü varsa, SKART/kompozit video kablosunu TV'nizdeki **SKART** konektörüne ve Media Center PC'nizin arkasındaki **Video Çıkışı** ve **Hat Çıkışı** (limon yeşili) konektörlerine bağlayın. Media Center PC'nizi SKART/komponent video kablosunu kullanarak aşağıda gösterildiği gibi de bağlayabilirsiniz.

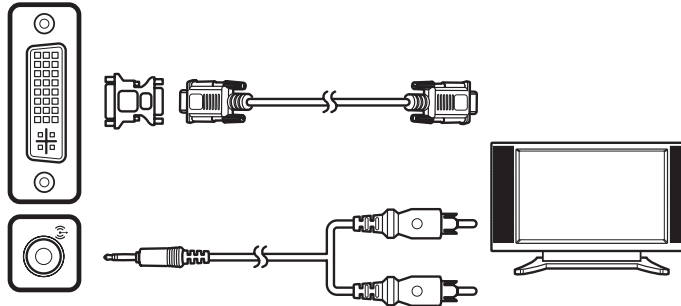
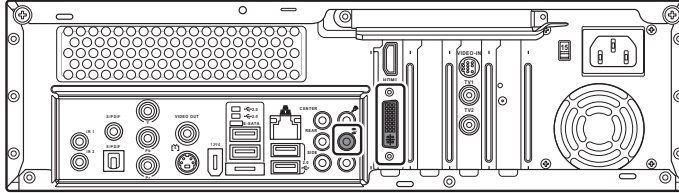


Notlar:

Gösterilen kablolar sadece görsel amaçlıdır. Paketteki kablolar farklı olabilir.



TV'nizde **VGA** konektörü varsa, ilk önce bir **VGA** dönüştürücüsünü Media Center PC'sinin arkasındaki (sadece Asteio D22 için) **DVI** konektörüne bağlayın ve ardından PC'nizi VGA kablosunu kullanarak TV'ye bağlayın.



3. TV'yi açın ve TV modelinize göre **TV Girişi** video kaynağını veya **PC** kaynağını seçin.

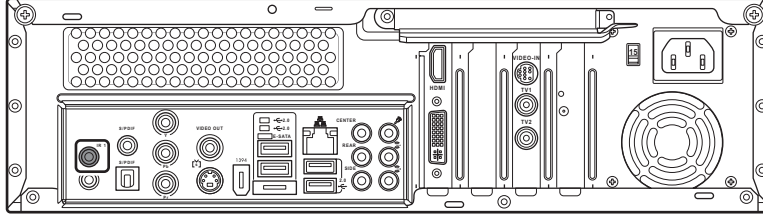
Not:

Bilgisayar kasasındaki açıklıklar havalandırma için sağlanmıştır. Bu açıklıkları engellemeyin veya kapatmayın.

Harici Aygıta Enfraruj Alıcısı Bağlamak

Set-top kutusu veya monitör gibi bir harici aygıta bağlamak için aşağıdakileri yapın:

1. IR kablosunun bir ucunu Media Center PC'sinin arkasındaki IR portuna bağlayın.
2. IR kablosunun diğer ucunu set-top kutusuna gösterildiği gibi bağlayın.



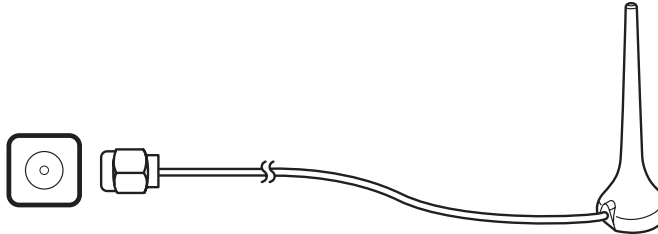
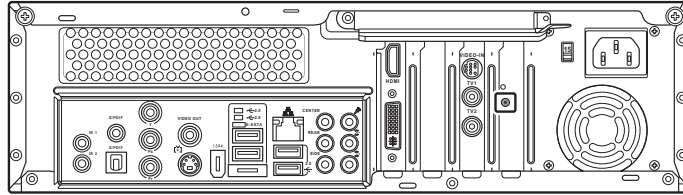
Not:

Bağlantı için mevcut olan iki IR portu vardır.

Kablosuz LAN anteninin kurulması

Harici anteni kablosuz LAN kartına bağlamak için aşağıdakileri yapın:

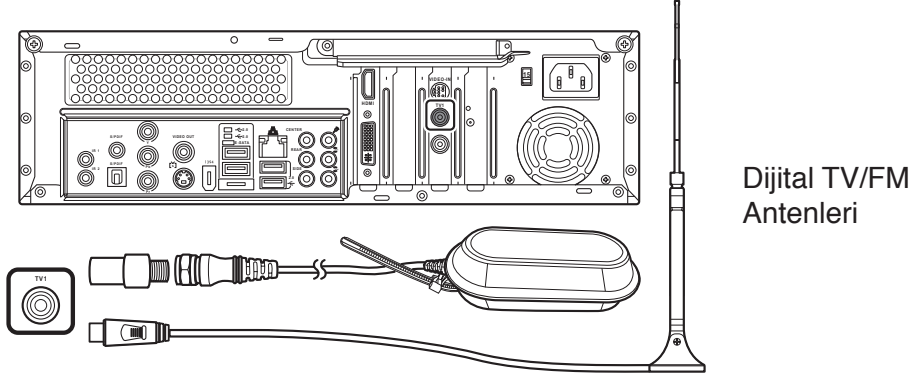
1. Media Center PC'nizin arkasındaki kablosuz LAN konektörüne verilen harici anteni sıkı bir şekilde bağlayın.
2. LED göstergesi yanıp sönmeye başlayarak WLAN sinyallerinin alındığını gösterir.



Dijital TV/ FM anteninin kurulumu

Dijital TV /FM antenini bağlamak için aşağıdakileri yapın:

1. NTSC'den PAL'e konvertörünü verilen dijital TV/FM antenine bağlayın.
2. Dijital TV/FM antenini Media Center PC'nizin arkasındaki TV yakına bağlayın.



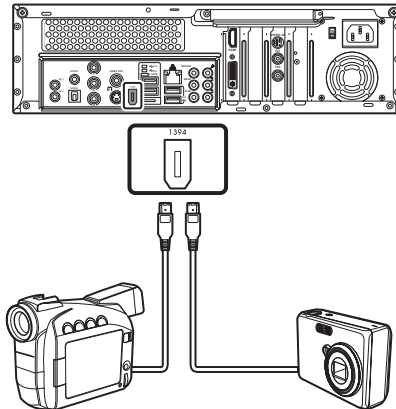
Notlar:

- Gösterilen antenler sadece görsel amaçlıdır. Paketteki anten farklı olabilir.
- Yayın alma sinyali ve Dijital TV/FM antenlerinin kalitesi farklı bölgelerde farklılık gösterebilir.

Dijital video kamerasına bağlanmak

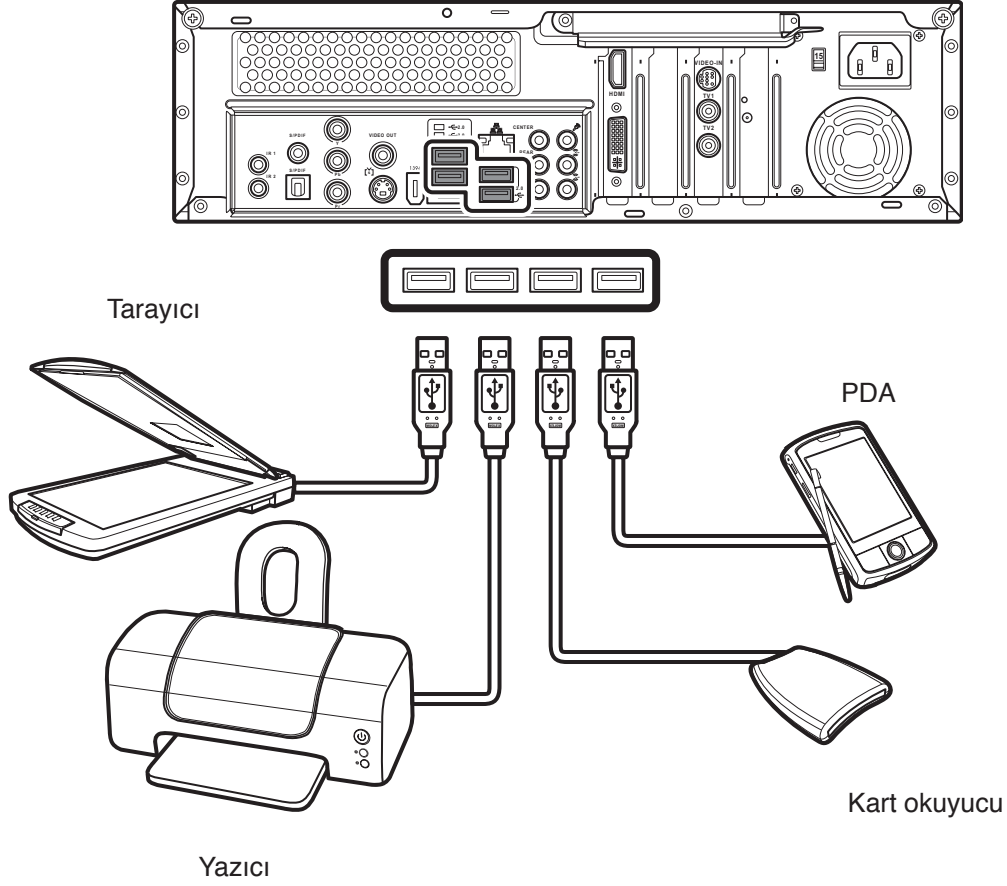
Dijital kamerayı veya dijital video kamerayı bağlamak için aşağıdakileri yapın:

1. Media Center PC'nizi açın ve Windows XP'nin başlamasını bekleyin.
2. Video kamera aktarım kablosunu kameraya bağlayın ve ardından Media Center PC'nizdeki boş USB portuna veya IEEE 1394 (FireWire) portuna bağlayın.
3. **Yeni Donanım Bulundu** mesajı belirir. Yeni bulunan aygıt için gerekli ayarları yapmak üzere ekranda verilen talimatları yerine getirin. Kurulum tamamlandığında, bir mesaj belirir ve kameranın kullanıma hazır olduğunu belirtir.



Diğer aygıtlara bağlanmak

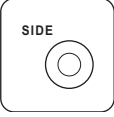

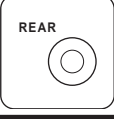



Yazıcı, tarayıcı, kart okuyucu ve PDA gibi diğer çevreirim aygıtları da Media Center PC'nize bağlanabilir.



Hoparlörün ve Ses Seçeneklerinin Yapılandırılması

Asus Media Center PC birçok farklı ses seçeneklerini, ses bağlantılarını ve hoparlör yapılandırmalarını destekler. İki stereo hoparlörünü veya çoklu ses hoparlör sistemini kullanmak için PC'nizi ayarlayabilirsiniz. Hoparlör sisteminizi PC'nize bağlayın ve ardından ses çıkışı için ses yazılımını yapılandırın.

Asus Media Center PC'de PC'nizin arkasında bulunan altı adet ses konektörü vardır. PC'nize 7.1 ses sistemine kadar bağlantı kurabilirsiniz.

Ses konektörü	Açıklama
	YAN Hat (gri) sekiz hoparlör sistemindeki yan hoparlörleri bağlar. (7.1)
	ORTA Hat (turuncu) çok kanallı ses yapılandırmasındaki orta/subwoofer hoparlörlerine bağlanır.
	ARKA Hat (siyah) çok kanallı ses yapılandırmasındaki arka hoparlörlerine bağlanır.
	Hat Çıkışı (limon yeşili) ön hoparlörlere bağlanır.
	Hat Girişi (kırmızı) PC'ye giriş için CD çalar gibi analog bir ses aygıtına bağlanır.
	Mik (açık mavi) mikrofona bağlanır.

Hoparlör yapılandırmaları

Aşağıdaki destekleyen yapılandırmalar için Media Center PC'nizi ayarlayabilirsiniz:

Adı	Hoparlör Sistemi
Kulaklıklar	Hiçbiri.
2 (stereo)	Sol hoparlör, sağ hoparlör.
2.1	Sol hoparlör, sağ hoparlör ve bir subwoofer.
4.1	İki ön hoparlör, iki arka hoparlör ve bir subwoofer.
6/ 5.1	İki ön hoparlör, iki arka hoparlör, bir orta hoparlör ve bir subwoofer.
8/ 7.1	İki ön hoparlör, iki arka hoparlör, iki yan hoparlör, bir orta hoparlör ve bir subwoofer.
Ev ses sistemi	Pasif hoparlörler ile birlikte ev stereo ve ev sineması ses sistemi.

Hoparlör türleri

PC'niz sadece etkin (güçlü) hoparlör sistemini destekler. Aktif bir hoparlör sistemi kendi güç kaynağına sahip olmalıdır. Bi rev ses sistemi etkin hoparlörleri gerektirmez, çünkü alıcı yükseltici sağlar.

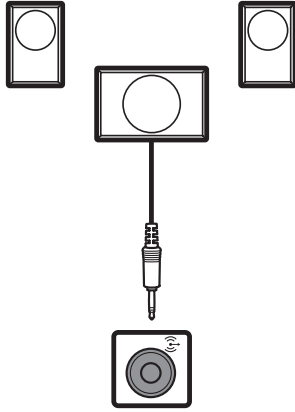
Bir stereo hoparlör seti soldan sağa doğrudur, iki kanal hoparlör sistemidir. Çok kanallı bir ses hoparlörü sol-sağ ön ve sol-sağ arka kanala sahiptir ve bir subwoofer ve orta hoparlör içerir. Yan hoparlörler daha gelişmiş sistemlere dahildir. Bir subwoofer gelişmiş bas sesleri sağlar.

“.1” subwoofer'u gösterir. Örneğin, 7.1 kanalları sekiz hoparlör modunu gösterir ve iki ön hoparlör (sol-sağ), iki yan hoparlör (sol-sağ), bir orta hoparlör ve bir subwoofer kullanır.

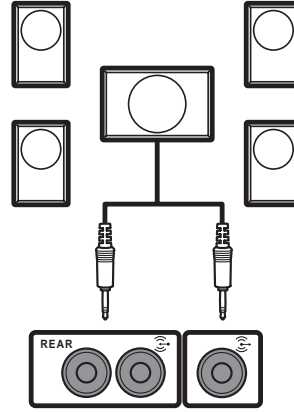
Ses hoparlörlerinin bağlanması

Ses hoparlörlerini hoparlör sisteminize göre Media Center PC'nize bağlamak için çizimlere bakınız. Hoparlörleri PC'nize bağladıktan sonra, Media Center PC'nizin ses çıkışı için ses ayarlarını yapılandırın.

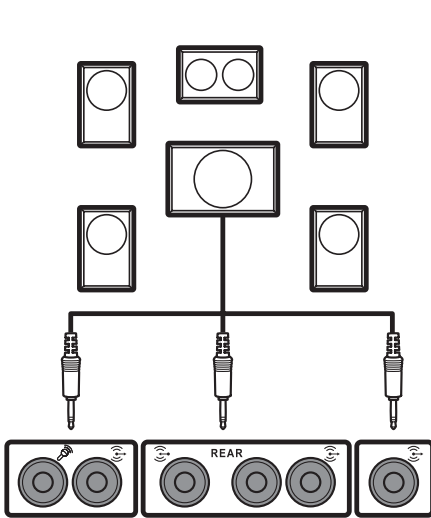
2 Hoparlör



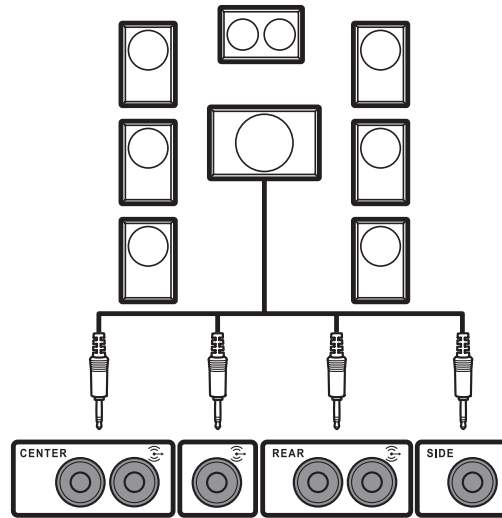
4 Hoparlör



5 Hoparlör ve bir subwoofer



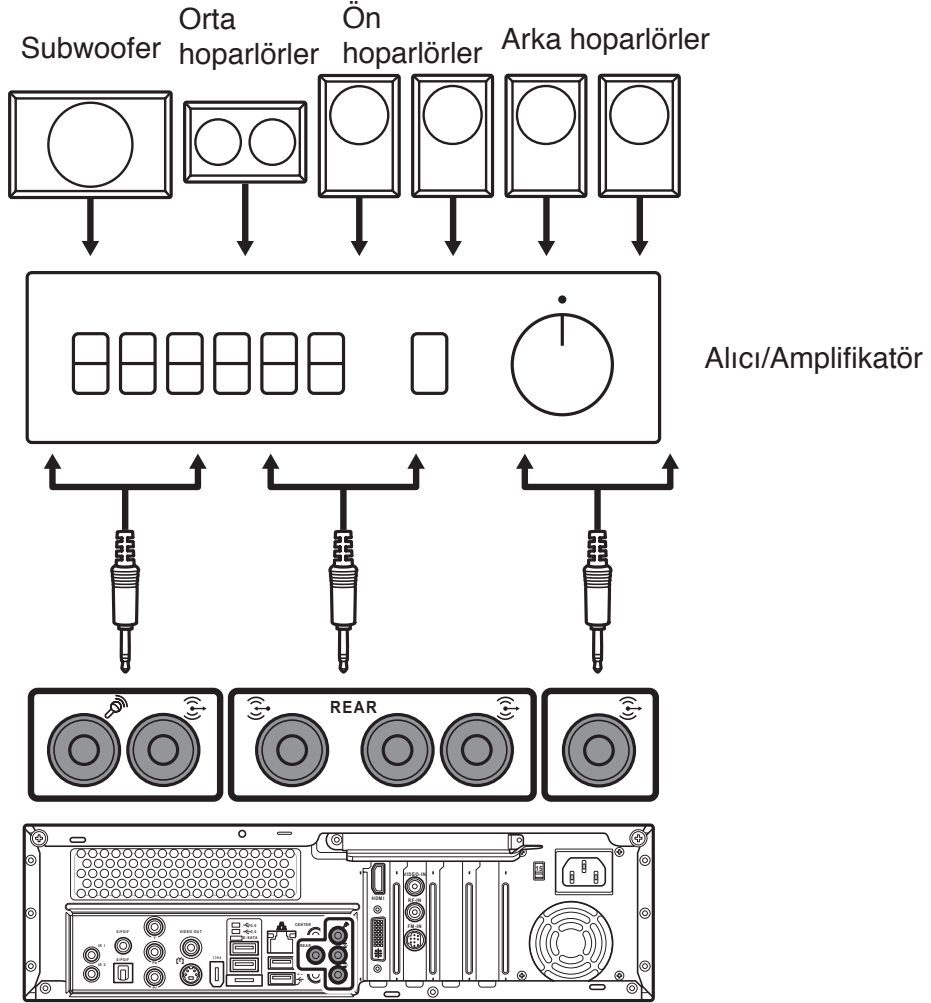
7 Hoparlör ve bir subwoofer



Media Center PC'nizin ev ses sistemine bağlanması

Mevcut hoparlörlerinizi kullanarak Media Center PC'nizi ev stereo veya ev sineması çoklu kanalına bağlayabilirsiniz.

Birçok ev alıcısı/amplifikatörü RCA türü giriş konektörlerine sahiptir. Alıcısı/amplifikatörleri Media Center PC'nize (isteğe bağlı) bağlamak için Y adaptör kablolarına ihtiyacınız olabilir.



Ses çıkış ayarlarının yapılandırılması


Hoparlörünüzün ses çıkışını Media Center PC'nize kurulan SoundMax yazılımı veya Media Center yazılımı ile yapılandırabilirsiniz.

SoundMax Ses Sihirbazı ile ses çıkışının yapılandırılması

Hoparlörleri Media Center PC'nize kurduktan sonra, ses ayarlarını yapılandırmak için aşağıdaki adımları yerine getirin:







1. Windows Başlat menüsünü başlatmak için görev çubuğundaki **Başlat** düğmesine tıklayın.
2. **Tüm Programlar**'a tıklayın.
3. Programı açmak için **SoundMax**'ı seçin. SoundMax penceresi kontrol ekranlarından biri ile açılır.



4. Hoparlör sisteminiz için ses çıkış ayarlarını yapılandırmak üzere Ses Sihirbazı  simgesine tıklayın.
5. İndirmeli kutudan sisteminizdeki hoparlör sayısını tanımlayan seçeneği seçin.
6. Ses Ayar penceresi belirir. Ses çubuklarını hareket ettirerek her hoparlörün ses düzeyini ayarlayın veya ekranın ortasındaki ana ses kontrolü ile tüm hoparlörler için ses düzeyini aynı anda ayarlayın.
7. **İleri**'ye tıklayın. Mikrofon ses ayar ekranı belirir. Mikrofonu test etmek için **Mikrofon Testi**'ne tıklayın ve ilerlemek için **İleri**'ye tıklayın.
8. SoundMax Ses Sihirbazından çıkmak için **Bitti**'ye tıklayın.

SoundMax görev çubuğunun kullanılması

SoundMax penceresi aşağıdaki işlevlerden oluşmaktadır:

1.  Ses Sihirbazı: Ses Sihirbazı ekranını açmak ve ses çıkış ayarlarını yapılandırmak için tıklayın.
2.  Varsayılan ayarlar: Tüm ayarları fabrika ayarlarına geri yüklemek için tıklayın.
3.  Tercih ayarları: Tercih ayarları penceresini açmak ve ayarları ihtiyaçlarınıza göre ayarlamak için tıklayın.
4.  Ses kontrolü: Ses kontrol ekranını göstermek/gizlemek için tıklayın.
5.  Kayıt ayarı: Kayıt ayarları ekranını göstermek/gizlemek için tıklayın.
6.  Yardım: Yardım penceresini göstermek için tıklayın.

Windows XP Media Center ile ses çıkışının yapılandırılması

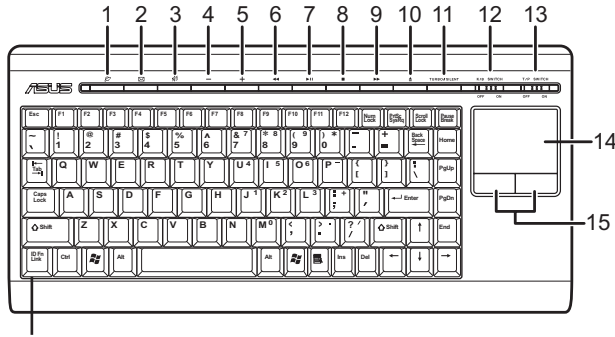
1. Windows Başlat menüsünü başlatmak için görev çubuğundaki **Başlat** düğmesine tıklayın.
2. **Tüm Programlar**'a tıklayın.
3. Programı açmak için **Windows XP Media Center**'ı seçin. Windows XP Media Center penceresi ekranlarda açılır.
4. Ana menüden **Ayarlar**'ı seçin.
5. **Hoparlör Yapılandırması**'nı seçin ve **İleri**'ye tıklayın.
6. Sisteminizdeki hoparlör sayısını seçin ve **İleri**'ye tıklayın.
7. Hoparlörünüzün ses çıkışını test edin. Test çıkışını seçin ve ilerlemek için **İleri**'ye tıklayın.
8. Çıkmak için **Bitti**'ye tıklayın.

PC donanımının kullanımı

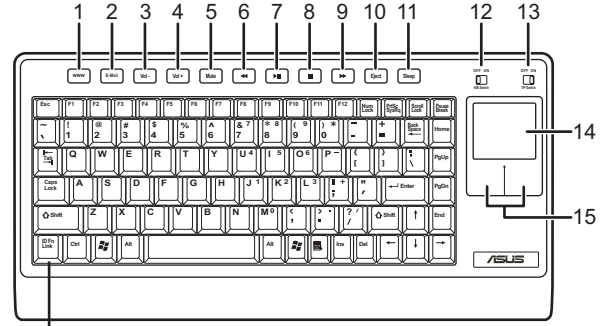
Kablosuz klavyenin kullanımı

Media Center PC'ne dahili alıcı/verici ile birlikte kablosuz klavye dahildir. Klavyenin sağ üst köşesindeki bir ışık alıcı aktivitesini gösterir.

Özel klavye düğmelerinin kullanımı



ID Link
düğmesi



ID Link
düğmesi

Özel klavye düğmelerinin işlevlerine kendinizi alıştırmak için aşağıdaki tabloya bakınız.

Öge	Özellik	Açıklama
1.	İnternet	İnternet tarayıcınızı açmak için basın.
2.	E-posta	E-posta programını açmak için basın.
3.	Sessiz	Sesi engellemek için basın.
4.	Sesi kapat	Sesi azaltmak için basın.
5.	Sesi aç	Sesi artırmak için basın.
6.	Geri sar	Ortam dosyasını geri sarmak için basın.
7.	Çal/Duraklat	Ortam dosyasını oynatmak veya duraklatmak için basın.
8.	Durdur	Ortam dosyasını durdurmak için basın.
9.	İleri sar	Ortam dosyasını ileri sarmak için basın.
10.	Çıkart	Disk tepsisini çıkarmak için basın.
11.	Turbo/Sessiz	Turbo/Sessiz modu arasında geçiş yapmak için basın
12.	Klavye güç anahtarı	Klavye gücünü açar/kapatar.
13.	Dokunmatik ped anahtarı	Dokunmatik ped işlevini etkinleştirir/engeller.
14.	Dokunmatik ped	Parmağınızın ucunu yüzeyin çevresinde sürükleyerek farenin hareket etmesine olanak sağlayın.
15.	Sol/sağ tık düğmeleri	Normal bir farenin sol/sağ tıklama düğmesi gibi görev yapar.

Not:

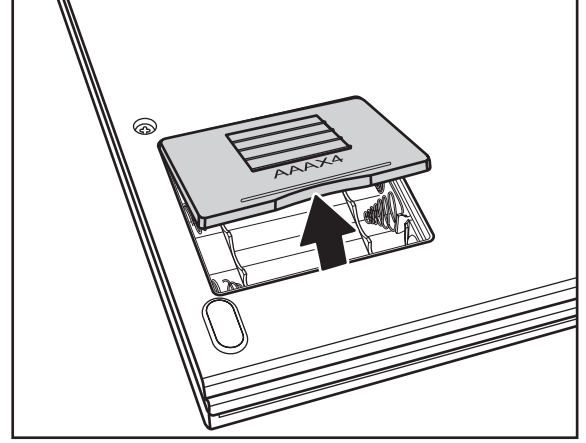
Yukarıda gösterilen klavyeler sadece görsel amaçlıdır. Paketteki klavye farklı olabilir.

Notlar:

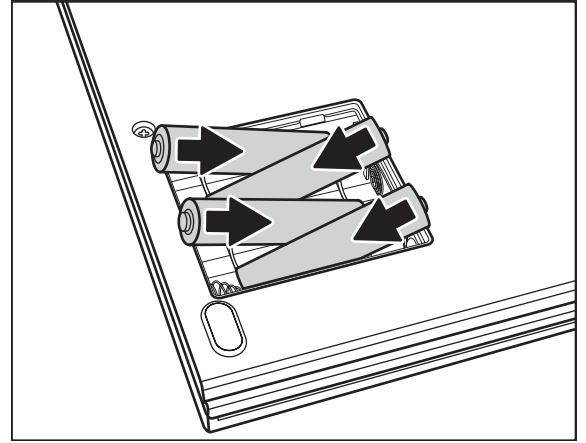
- Media Center PC'niz kablosuz klavyeyi saptayamazsa, ön panelin sol üst köşesindeki **Bağlan** düğmesine ve klavyenin sol alt köşesindeki **ID Link** düğmesine tıklayın.
- Media Center PC'niz iki çalıştırma özelliğine sahiptir:
 - Sessiz mod:** Sessiz modunda, sistem CD-ROM aktarım hızını ve CPU ile GPU hızını otomatik olarak düşürür. Bu da kullanıcıya sessiz bir çalışma ortamı sağlamaktadır. Bu varsayılan sistem modudur.
 - Turbo modu:** Turbo modunda sistem optimum performans elde etmek için mümkün olan en yüksek CD-ROM, CPU ve GPU hızlarını kullanacaktır. Bu, oyunlar veya çok işlevli ortam işleyici gibi yüksek performans gerektiren görevler için idealdir.
- Kablosuz klavyede güç tüketimini düşürmek için güç tasarrufu modu bulunmaktadır. Kablosuz klavye üç dakikadan uzun süre boştaki kalırsa, güç tasarrufu moduna geçer. Normal moda dönmek için herhangi bir tuşa basın (dokunmatik ped ve sol/sağ tık düğmeleri hariç). (Güç tasarrufu modunda, pil tüketimi normal modun %1.88'dir.)

Klavye pillerinin takılması

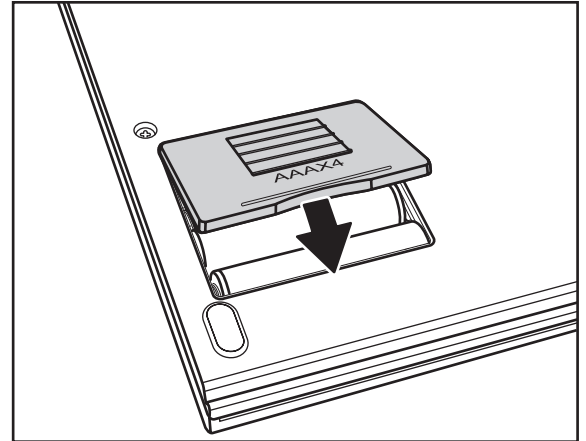
1. Klavyenin arkasındaki pil yuvasını açın.



2. Pil yuvasının içindeki kutup işaretlerine dikkat ederek pilleri yerleştirin.



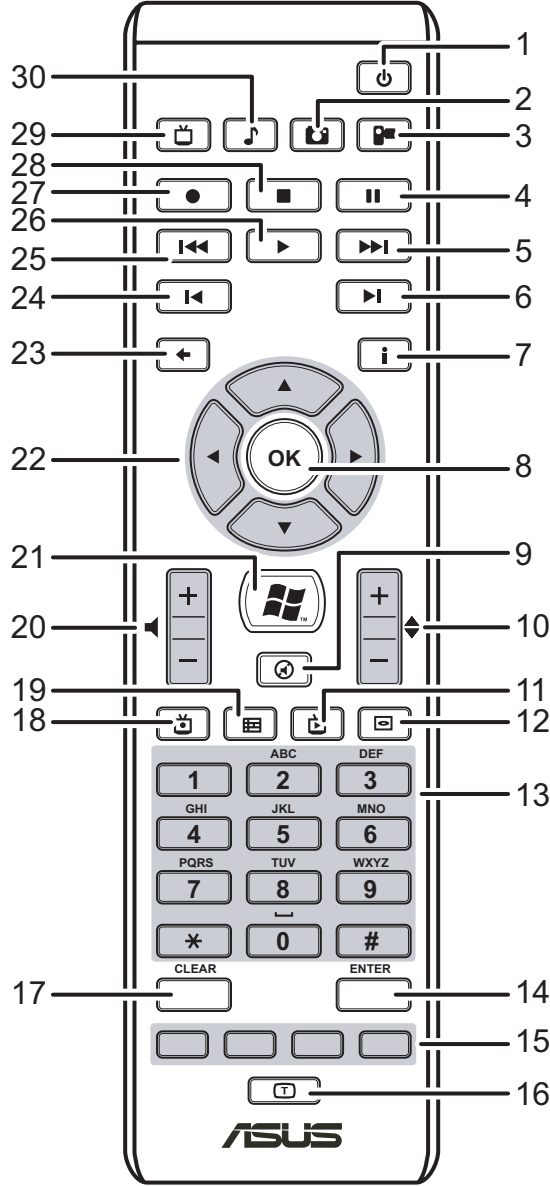
3. Pil yuvasının kapağını yerleştirin.



Uzaktan kumandanın kullanılması

Windows XP Media Center programını açmak için Uzaktan kumandayı açın ve TV izlemek, TV programlarını kaydetmek, önceden kaydedilen programları çalmak veya müzik, video veya film gibi diğer ortam dosyalarını çalmak için kullanılır.

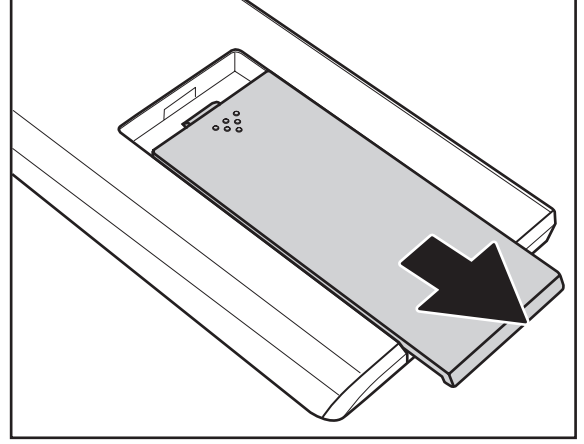
Uzaktan kumanda düğmelerinin işlevlerine kendinizi alıştırmak için aşağıdaki tabloya bakınız.



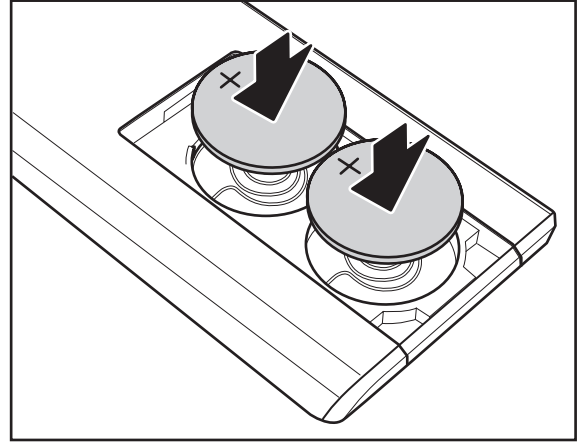
Öge	Adı	Açıklama
1.	Güç	Ekran ve hoparlörleri kapatmak için basın. (Dışarıda modu)
2.	Foto	Foto moduna girmek için basın.
3.	Video	Video moduna girmek için basın.
4.	Duraklat	Ortam çalarken ortamı duraklatmak için basın.
5.	İleri sar	Ortam dosyasını ileri sarmak için basın.
6.	Sonraki parça	Sonraki parçaya gitmek için basın.
7.	Bilgi	Program bilgi ekranını göstermek için basın.
8.	Tamam düğmesi	Bir işlemi onaylamak için basın.
9.	Sessiz	Sesi engellemek için basın.
10.	Kanal artır/azalt	TV izlerken kanalları değiştirmek için basın.
11.	Canlı TV düğmesi	Canlı TV programlarını izlemek için basın.
12.	DVD düğmesi	DVD kaynağına geçmek için basın.
13.	Numara tuşları	Doğrudan kanal numarasına gitmek için basın.
14.	Enter	Seçimi onaylamak için basın.
15.	Teleteks düğmeleri	Sadece Avrupa modellerinde kullanılabilir.
16.	Shift düğmesi	Sayı ve alfabe girişi arasında geçiş yapar.
17.	Temizle	Giriş bilgisini temizlemek için basın.
18.	TV Kaydı	Mevcut TV programının kaydına başlamak için basın.
19.	EPG (Elektronik Program Kılavuzu)	Elektronik program kılavuzu ekranını göstermek için basın.
20.	Ses artır/azalt	Sesi artırmak/azaltmak için basın.
21.	Windows Media Center	Media Center programını açmak için basın.
22.	Dört yönlü gezinti tuşları	Ekrandaki görüntü menüleri arasında dolaşmak için basın.
23.	Dön	Önceki sayfaya dönmek için basın.
24.	Önceki parça	Önceki parçaya gitmek için basın.
25.	Geri sar	Ortam dosyasını geri sarmak için basın.
26.	Çal	Ortam dosyasını çalmak için basın.
27.	Kaydet	Kayda başlamak için basın.
28.	Durdur	Çalan ortam dosyasını durdurmak için basın.
29.	TV	TV moduna girmek için basın.
30.	Müzik	Müzik moduna girmek için basın.

Uzaktan kumanda pillerinin takılması

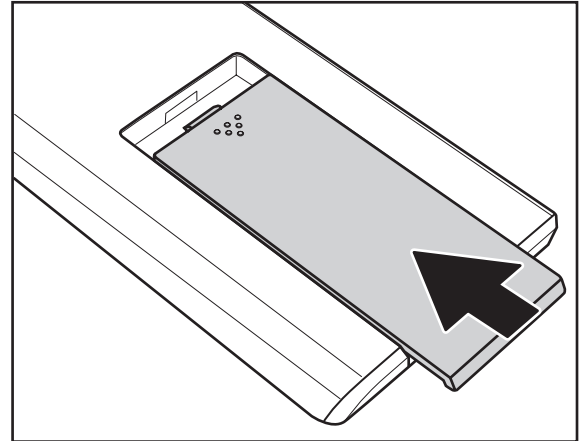
1. Uzaktan kumandanın arkasındaki pil yuvasını açın.



2. Pil yuvasının içindeki kutup işaretlerine dikkat ederek pilleri yerleştirin.



3. Pil yuvasının kapağını yerleştirin.



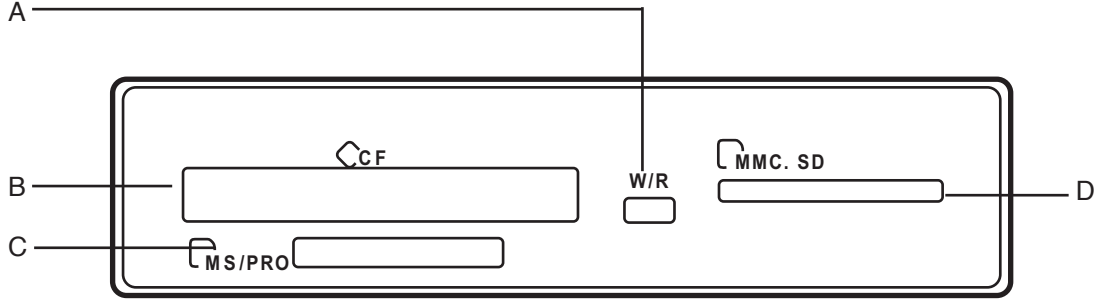
Bellek kartı okuyucusunun kullanılması

Dijital kameralar ve diğer dijital görüntüleme aygıtları dijital resim ve ortam dosyaları yüklemek için bellek kartlarını kullanır. Media Center PC'nizin ön panelindeki dahili bellek kartı okuyucusu çeşitli bellek kartlarının sürücülerini okumanıza ve yazmanıza olanak sağlar.

Kart yuvalarından birine veya daha fazlasına ortamı yerleştirebilir ve her ortamı ayrı ayrı kullanabilirsiniz. Bir yuvaya bir anda sadece bir bellek kartı yerleştirin. Her kart yuvası kendi sürücü harfine ve simgesine sahip olup **Bilgisayarım** ekranında gösterilir.

Kendinizi bellek kartı okuyucu yuvalarına alıştırmak için aşağıdaki şekle bakınız.

Bellek kartı takma kılavuzu



Öge	Adı	Açıklama
A	Aktivite LED'i	Verinin okunduğunu veya yazıldığını gösterir
B	CF yuvası	MD, CF Tür I/II'yi destekler
C	MS/MS PRO Yuvası	MS/MS-Pro, MS duo, MS pro duo'yu destekler
D	MMC/SD yuvası	SD, mini SD (Adaptörlü Micro SD), MMC, MMC4.x, RS MMC, RSMMC4.x (adaptörlü MMC mobil)'i destekler

Bellek kartı okuyucusunu kullanmak için aşağıdakileri yapın:

1. Bellek kartını duruncaya kadar uygun kart yuvasına yavaşça itin.
2. Bir Otomatik çalma penceresi açılır. Bellek kartına kaydedilen dosyalara erişim sağlamak için bir program seçin. Media Center PC bir program açar, böylece bellek kartının içindekilere erişim sağlayabilirsiniz. Dosyaları bellek kartına/kartından kopyalayabilirsiniz.

VEYA

Otomatik çalma penceresi otomatik olarak açılmazsa, **Başlat**'a tıklayabilir ve **Bilgisayarım**'ı seçebilirsiniz ve ardından bellek kartının içeriğini görüntülemek için bellek kartı simgesine çift tıklayabilirsiniz.

3. Bellek kartınız ile çalışmayı bitirdiğinizde, sürücü simgesine sağ tıklayın ve **Çıkar**'ı seçin. Aktivite ışığı yanıp sönmeyi durdurduğunda, bellek kartını kart yuvasından çıkarın.

Not:

Aktivite ışığı hala yanıp sönyorsa, bellek kartını çıkarmayın. Bunu yapmanız veri kaybetmenize veya bellek kartının hasar görmesine sebep olabilir.




“DTS CONNECT”, “DTS INTERACTIVE” ve “DTS NEO:PC” DTS, Inc’in ticari markalarıdır. “DTS” DTS, Inc’in tescilli ticari markasıdır.



Windows XP Media Center'ın Başlatılması

Windows XP Media Center'ın tam kontrolünü kablosuz klavyenizden/farenizden ve uzaktan kumandadan alabilirsiniz. Sizin için en rahat olan aygıtı kullanın.

Windows XP Media Center'ı aşağıdaki iki yoldan biri ile başlatabilirsiniz:

- Windows XP Media Center'ı Başlat menüsünden başlatmak için:
 - **Başlat**'a tıklayın ve Başlat menüsünden **Media Center**'ı seçin.
- Windows XP Media Center'ı uzaktan kumanda ile başlatmak için:
 - Uzaktan kumandanızdaki **Media Center**  düğmesine basın.

“TV'im”in Kullanılması

TV'im özelliği ile TV izleme deneyiminizi kontrol edebilirsiniz. Canlı TV programları izlemek, TV programlarını kaydetmek, kayıtlı programları izlemek, program bilgisini görüntülemek ve daha fazlası için **TV'im**'i kullanın.

Bir TV programının izlenmesi

1. Uzaktan kumanda **TV** düğmesine basın. Son izlenen TV kanalı gösterilir.
2. TV izlerken kanalları değiştirmek için **Kanal yukarı/aşağı** düğmelerini kullanın.

TV programlarının kaydedilmesi

1. Kaydetmek istediğiniz programı seçmek için **Kanal yukarı/aşağı** veya sayı tuşlarını kullanın.
2. Kayda başlamak için uzaktan kumandadaki **Kaydet** düğmesine basın.

TV kayıtlarının çalınması

TV'im TV programlarını siz TV izlerken bir program tamponuna otomatik olarak kaydeder. Canlı TV programlarını duraklattığınızda, **TV'im** programı 30 dakika için kaydetmeye devam eder, böylece programı kaldığınız yerden izleyebilirsiniz.

1. Canlı TV programını duraklatmak/durdurmak ve program tamponlamayı başlatmak için **Duraklat/Durdur** düğmesine basın.
2. **Duraklat/Durdur** düğmesine bastığınızda TV'yi kaldığınız yerden izlemeye devam etmek için **Çal** düğmesine basın.

Notlar:

- Broadcast On-the-Go altındaki uç kısım canlı TV erişim işlevi ilgili sinyal ayarına göre bölgeden bölgeye farklılık göstermektedir.
- Verilen CD'deki yazılımın telif hakkı ilgili hamillerine aittir. Asus yükseltme veya sorun giderme servisleri sunmakla sorumlu değildir.

Müziğim'in Kullanımı

Müziğim tam müzik deneyiminin tadını çıkarmanıza olanak sağlar. CD'leri dinleyebilir, sanatçı bilgilerini görüntüleyebilir, kendi müzik çalma listelerinizi oluşturabilir, müziği türlere göre ayırabilir ve dinleyebilir ve daha fazlasını yapabilirsiniz.

Müzik CD'lerini Ortam Kitaplığına Ekleme

1. **Başlat**'a tıklayın ve Başlat menüsünden **Windows Media Player**'ı seçin.
2. Media Player'ın Ortam Kitaplığına CD'yi yerleştirin.
3. Media Player'ın sol tarafında **CD'den Kopyala**'ya tıklayın ve ardından **Müziği Kopyala**'ya tıklayın.
4. **Müziğinize kopya koruması ekle**'ye tıklayın ve CD'yi Media Center PC'ye kopyalamaya devam etmek için telif hakkı beyanının yanındaki onay kutusunu işaretleyin.
5. **Mevcut biçim ayarlarımı değiştir** veya **Mevcut biçim ayarlarımı koru**'yu seçin ve ardından **Bitti**'ye tıklayın. CD sabit diskinize kopyalanır.

Müzik Çalmak

1. **Müziğim** ekranını açmak için uzaktan kumandadaki **Müzik** düğmesine tıklayın.
2. Dinlemek istediğiniz müziği Albümlere, Sanatçıya, Çalma listelerine, Şarkılara veya Türlere göre seçebilirsiniz.

Resimlerimin Kullanımı

Resimlerim dijital fotoğraflarınıza bakmanızı ve yönetmenizi kolaylaştırır ve eğlenceli hale getirir. Resimleri ayrı ayrı çalabilir veya müzikli arkaplanda slayt gösterisi şeklinde yürütebilirsiniz.

Resimlerin görüntülenmesi

1. **Resimlerim** penceresini açmak için uzaktan kumandadaki **Foto** düğmesine basın ve resim klasörleri gösterilir.
2. Görüntülemek istediğiniz foto klasörünü seçmek için dört yönlü gezinti tuşlarını kullanın ve **Tamam**'a basın. Resim klasörü açılır.
3. Görüntülemek istediğiniz resmi vurgulayın ve **Tamam** düğmesine basın.

Seçilen klasördeki resimleri slayt gösterisi olarak yürütmek için yan çubuktaki **Slayt gösterisini Çal**'ı seçin.

Videolarımın Kullanılması

Videolarım dijital videoları izlemeyi kolaylaştırır. Videoları izleyebilir ve paylaşabilir ve ada veya tarihe göre düzenleyebilirsiniz.

Videoların izlenmesi

1. **Videolarım** penceresini açmak için uzaktan kumandadaki **Video** düğmesine basın ve video klasörleri gösterilir.
2. Görüntülemek istediğiniz video klasörünü seçmek için dört yönlü gezinti tuşlarını kullanın ve **Tamam**'a basın. Video klasörü açılır.
3. İzlemek istediğiniz bir videoyu vurgulayın ve çalmaya başlamak için **Tamam** düğmesine basın.

Teknik özellikler

Model	D22	D20
OS	Microsoft Windows XP Media Center Edition	
Inter ViiV	Inter ViiV v 1.5	
CPU	Intel Conroe E6300 1.86 GHz, FSB 1066/800 MHz, 2M L2 Ön Bellek	
Çip seti	Intel Broadwater P965 + ICH18-DH	Intel Broadwater G965 + ICH18-DH
Grafikler	NVIDIA nForce4 7600 serisi (256M, DDR3)	Intel GMA X3000
Bellek	1GB (DDR2 533 512M x 2), Çift kanal	
HDD	250G SATA2, NCQ, 7200rpm	160G SATA2, NCQ, 7200rpm
Optik	16X DVD Dual Supermulti DL	
Tuner	Çift Kanal (2A/2D/1A1D) Radyolu, PCI-E x 1	Radyolu Karma (Analog /Dijital), PCI
Kablosuz	802.11b/g	
LAN	10/100/1000 Mbps	
Kart okuyucu	13'lü CF yuvası: MD, CF tür I & II MS yuvası: MS, MS pro, MS duo, MS pro duo SD/MMC yuvası: SD, Mini SD (adaptörden Mikro SD), MMC, MMC4.x, RS MMC, RSMMC4.x (adaptörden MMS mobil)	
Genişletme yuvaları	1 x PCI-E x 16, 2 x PCI-E x 1, 1 x PCI	
S-ATA	SATA II x 4, eSATA x 2	
Ses	Intel Yüksek Çözünürlükte Definition Azalia, 7.1 Kanal	

Model	D22	D20
Ön panel	USB 2.0 x 2, IEEE 1394 (4-pin) x1, eSATA port x 1, Mikrofon jakı x 1, Kulaklık jakı x 1, 13'lü kart okuyucu x 1	
Arka panel	USB 2.0 portu x 4, IEEE 1394 portu x 1, eSATA portu x 1,	
	Video Çıkış Portları: HDMI x 1, Komponent video portu (Y/Pb/Pr) x 1, DVI çıkışı x1 (D22 için) , D-Alt çıkışı x 1 (D20 için), Kompozit video portu (RGB) x 1, SKART x 1, DVI'den D-Sub adaptörü x 1 (D22 için), HDMI'den DVI'ya adaptörü x 1 (D20 için)	
	Video Giriş portları: Kompozit video portu (RGB) x 1 (adaptör kablosu ile), S-video portu x 1 (adaptör kablosu ile), TV Girişi x 2 (D22 için), TV Girişi x 1 (D20 için)	
	Ses Çıkışı: 7.1 kanal hoparlör çıkışı x 1, S/PDIF portu x 1, Koaksiyal konektör x 1, Kompozit video portu (SI/Sğ) x 1 (adaptör kablosuna göre)	
	Ses Girişi: Kompozit video portu (SI/Sğ) x 1 (adaptör kablosuna göre)	
	10/100/1000 Ethernet portu x 1	
Güç beslemesi	275 W (PFC)	
Boyut	357 mm (W) x 95 mm (H) x 398 mm (D)	
<p>Teknik özelliklerde önceden haber verilmeksizin değişiklik yapılabilir. Asus müşterilerine optimum servis sunmak için parça malzemelerini ve aksesuarları değiştirme hakkını saklı tutar.</p> <p>Aygıtı satın aldığınızda pakette bulunanları satıcınız ile birlikte kontrol ediniz.</p>		